

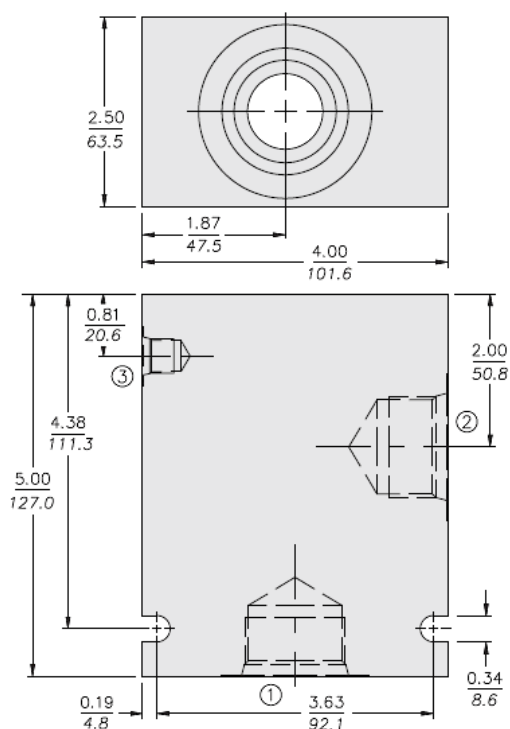


## Ratings

Pressure rating	207 bar (3000 psi)	- Note:
	Aluminum	
	345 bar (5000 psi)	- Note:
	Ductile iron	
Material	6061-T6511	- Note:
	Aluminum	
	Dura-bar	- Note: Ductile iron

## Dimensions

**3-WAY Short**  
Aluminum or Ductile Iron



## Part Numbers

### CAVITY: VC20-S3

P/N: 7023130	Code: 16T	Material: ALUMINUM			
Port 1	Port 2	Port 3	Port 4	Port 5	Port 6
SAE 16	SAE 16	SAE 6			
P/N: 7153210	Code: 16TD	Material: DUCTILE IRON			
Port 1	Port 2	Port 3	Port 4	Port 5	Port 6
SAE 16	SAE 16	SAE 6			