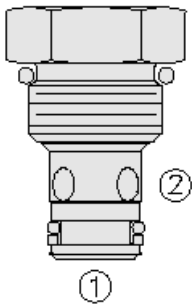




Overview



Description

The CV08-21X is a screw-in, cartridge style, hydraulic check valve for use as a blocking or load-holding device.

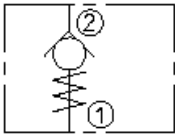
Operation

The cartridge valve allows flow from port 2 to 1, while normally blocking flow in the opposite direction. The cartridge valve has a fully guided check, which is spring biased closed until sufficient pressure is applied at port 2 to open to port 1.

Features

- Hardened seat for long life and low leakage.
- Fully guided poppet.
- Compact size.

Symbol



Ratings

Pressure Ratings

Pressure rating 241 bar (3500 psi)

Flow Ratings

Flow rating See graph
Maximum internal leakage 0.10 ml/min (2 drops/min) - Note: At 241 bar (3500 psi)

Temperature Ratings

Operating fluid temperature -40 to 100 °C (-40 to 212 °F) - Note: With buna N seals
-26 to 204 °C (-15 to 400 °F) - Note: With fluorocarbon seals
-54 to 107 °C (-65 to 225 °F) - Note: With urethane seals
Storage temperature -40 to 70 °C (-40 to 160 °F)
Ambient temperature -40 to 90 °C (-40 to 194 °F)

Other Ratings

Corrosion protection 960 hr salt spray per ASTM b117 (gcv08-21x)

Operating Parameters

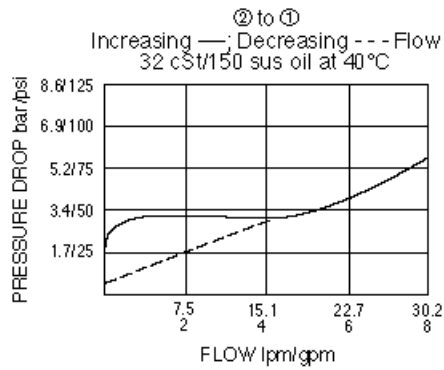
Fluids Mineral based or synthetic hydraulic fluid with lubricating properties
Fluid viscosity range 7.4 to 420 cSt
Maximum operating contamination level 20/18/14 per ISO 4406 level

Properties

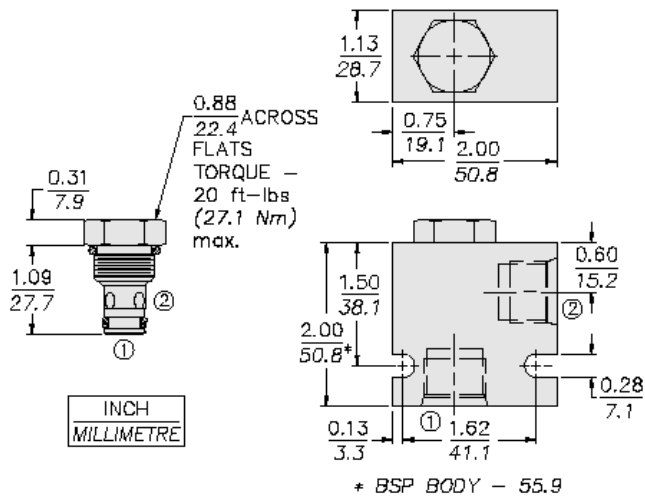
Unit weight 0.05 kg (0.12 lb)
Internal wetted surface area 61.3 cm² (9.5 in²)



Performance



Dimensions



Installation Specifications

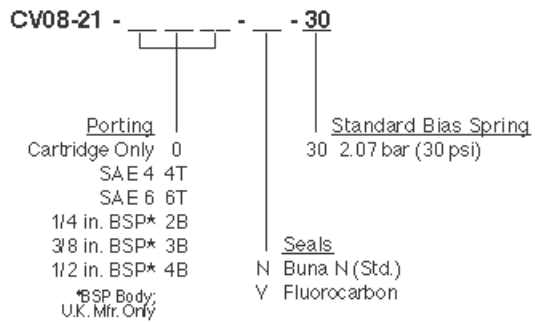
Cavity	VC08-2
Cartridge installation torque	25.8 to 28.5 N-m (19 to 21 ft-lb)
Orientation restriction	None

Accessories

Seal kit	SK08-2N-B	- Note: Buna N
	SK08-2N-B	- Note: Fluorocarbon
	SK08-2U-0	- Note: Urethane



Order Code



Model Options

CV08-21G-H-J-R

G Screen

CODE	DESCRIPTION
BLANK	NONE
S	100 Mesh Screen

H Line Body

CODE	DESCRIPTION
0	No Body
4T	Aluminum SAE 4
6T	Aluminum SAE 6
8T	Aluminum SAE 8
6TD	Ductile Iron SAE 6
8TD	Ductile Iron SAE 8
2B	Aluminum BSPP 1/4" (2)
3B	Aluminum BSPP 3/8" (3)
3BD	Ductile Iron BSPP 3/8" (3)

J Seal

CODE	DESCRIPTION
N	Buna-N
V	Fluorocarbon
P	Polyurethane
U	PPDI Urethane

R Spring

CODE	DESCRIPTION
30	30 psi Bias Spring