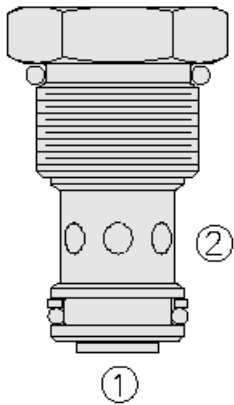




Overview



Description

The CV12-21 is a screw-in, cartridge style, hydraulic check valve for use as a blocking or load-holding device.

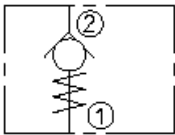
Operation

The cartridge valve allows flow passage from port 2 to port 1, while normally blocking oil flow in the opposite direction. The cartridge has a fully guided check which is spring-biased closed until sufficient pressure is applied at port 2 to open to port 1.

Features

- Hardened seat for long life and low leakage. Optional bias springs for back-pressure application flexibility. Low check mass for anti-cavitation applications. Cost-effective cavity.

Symbol



Ratings

Pressure Ratings

Pressure rating 240 bar (3500 psi)

Flow Ratings

Maximum internal leakage 5 drops/min - **Note:** At 240 bar (3500 psi)

Temperature Ratings

Operating fluid temperature	-40 to 100 °C (-40 to 212 °F)	- Note: With buna N seals
	-26 to 204 °C (-15 to 400 °F)	- Note: With fluorocarbon seals
	-54 to 107 °C (-65 to 225 °F)	- Note: With polyurethane seals
Storage temperature	-40 to 70 °C (-40 to 160 °F)	
Ambient temperature	-40 to 90 °C (-40 to 194 °F)	

Operating Parameters

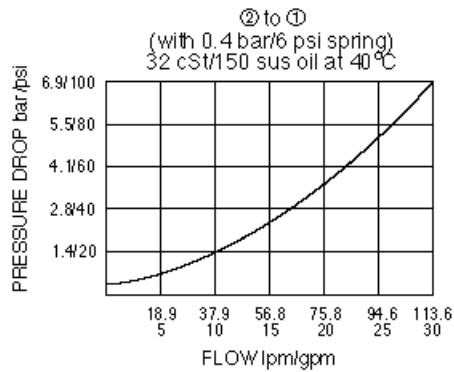
Fluids	Mineral based or synthetic hydraulic fluid with lubricating properties
Fluid viscosity range	7.4 to 420 cSt
Maximum operating contamination level	20/18/14 per ISO 4406

Properties

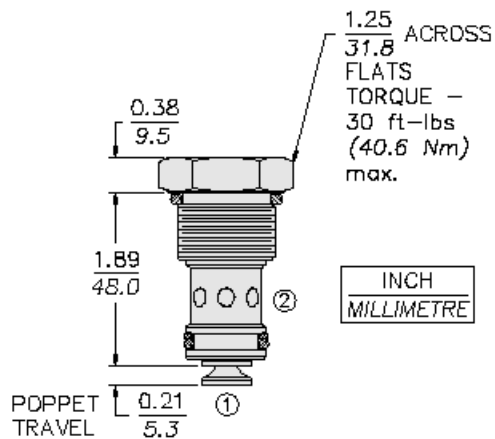
Unit weight	0.16 kg (0.37 lb)
Internal wetted surface area	134 cm ² (20.7 in ²)



Performance



Dimensions



Installation Specifications

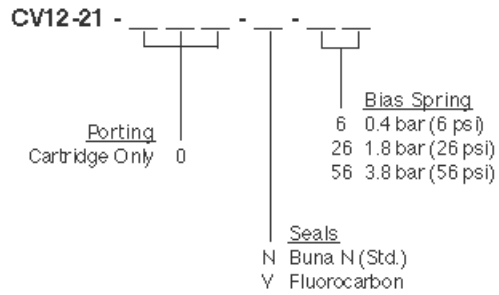
Cavity	VC12-2
Cartridge installation torque	44.7 to 50.2 N-m (33 to 37 ft-lb)
Orientation restriction	None

Accessories

Seal kit	SK12-2X-B	- Note: X = seal option
----------	-----------	--------------------------------



Order Code



Model Options

CV12-21-H-J-R

H Line Body

CODE	DESCRIPTION
0	No Body
10T	Aluminum SAE 10
12T	Aluminum SAE 12
16T	Aluminum SAE 16
12TD	Ductile Iron SAE 12
16TD	Ductile Iron SAE 16
8B	Aluminum BSPP 1" (8)
8BD	Ductile Iron BSPP 1" (8)

J Seal

CODE	DESCRIPTION
N	Buna-N
V	Fluorocarbon
P	Polyurethane
U	PPDI Urethane

R Spring

CODE	DESCRIPTION
6	6 psi Bias Spring
26	26 psi Bias Spring
56	56 psi Bias Spring