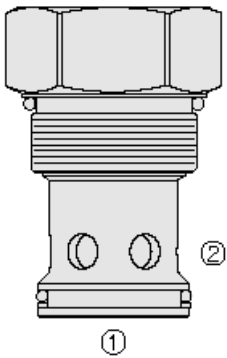




Overview



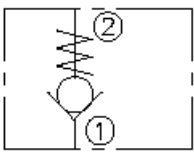
Description

The CV42-M20 is a screw-in, cartridge style, hydraulic check valve for use as a blocking or load-holding device. The cartridge valve allows flow from port 1 to 2, while normally blocking flow in the opposite direction. The cartridge valve has a fully guided poppet which is spring biased closed until sufficient pressure is applied at port 1 to open to port 2.

Features

- Hardened seat for long life and low leakage. Optional bias springs for back-pressure application flexibility. ISO 7789 cavity.

Symbol



Ratings

Pressure Ratings

Pressure rating 241 bar (3500 psi)

Flow Ratings

Flow rating - **Note:** See chart
 Maximum internal leakage 0.25 ml/min (5 drops/min) - **Note:** At 241 bar (3500 psi)

Temperature Ratings

Operating fluid temperature -40 to 100 °C (-40 to 212 °F) - **Note:** With buna N seals
 -26 to 204 °C (-15 to 400 °F) - **Note:** With fluorocarbon seals
 -54 to 107 °C (-65 to 225 °F) - **Note:** With polyurethane and urethane seals
 Storage temperature -40 to 70 °C (-40 to 160 °F)
 Ambient temperature -40 to 70 °C (-40 to 160 °F)

Other Ratings

Corrosion protection 960 hr salt spray per ASTM b117 (gcv42-m20)

Operating Parameters

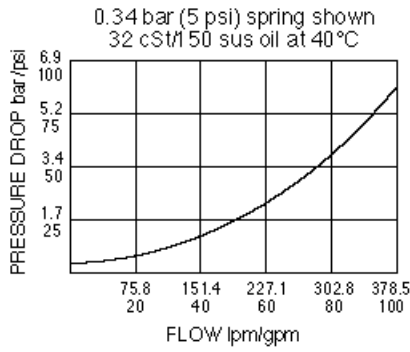
Fluids Mineral based or synthetic hydraulic fluid with lubricating properties
 Fluid viscosity range 7.4 to 420 cSt
 Maximum operating contamination level 20/18/14 per ISO 4406

Properties

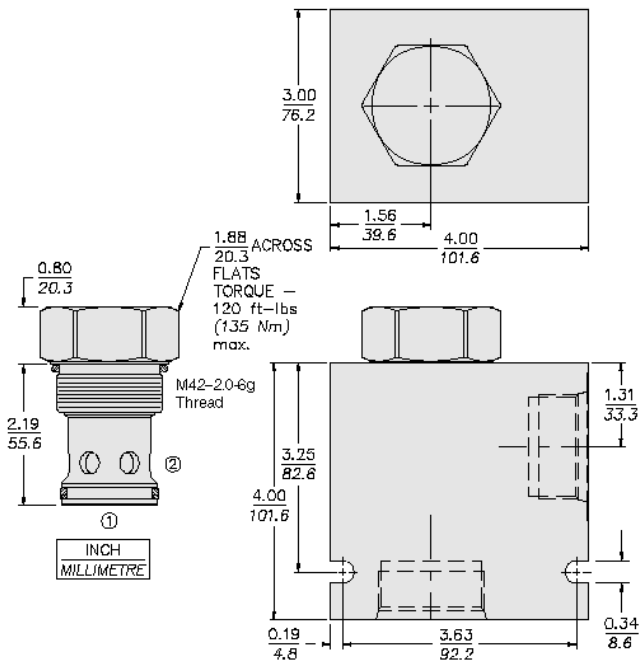
Unit weight 0.62 kg (1.36 lb)
 Internal wetted surface area 297 cm² (46 in²)



Performance



Dimensions



Installation Specifications

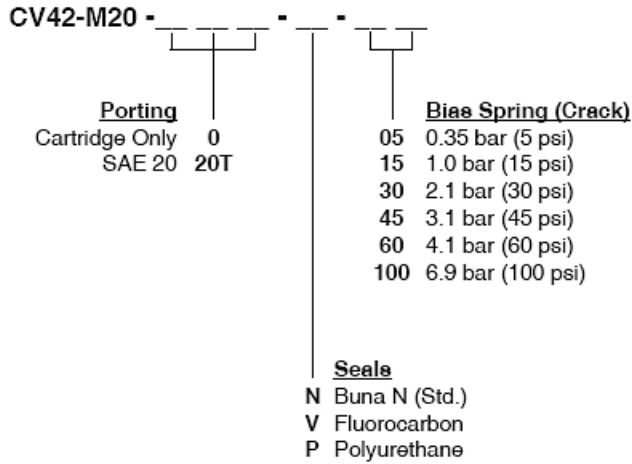
Cavity	VC42-M2
Cartridge installation torque	149 to 176 N-m (110 to 130 ft-lb)
Orientation restriction	None

Accessories

Seal kit	SK42-M2N-T	- Note: Buna N
	SK42-M2V-T	- Note: Fluorocarbon
	SK42-M2P-T	- Note: Polyurethane
	SK42-M2U-O	- Note: Urethane



Order Code



Model Options

CV42-M20-H-J-R

H Line Body

CODE	DESCRIPTION
0	No Body
20T	Aluminum SAE 20
20TD	Ductile Iron SAE 20

J Seal

CODE	DESCRIPTION
N	Buna-N
V	Fluorocarbon
P	Polyurethane
U	PPDI Urethane

R Spring

CODE	DESCRIPTION
5	5 psi Bias Spring
15	15 psi Bias Spring
30	30 psi Bias Spring
45	45 psi Bias Spring
60	60 psi Bias Spring
100	100 psi Bias Spring