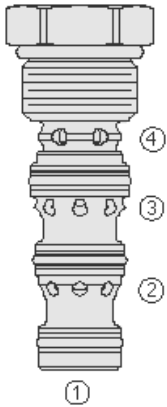




## Overview



### Description

The DC10-40X is a cartridge style, dual pilot operated check valve for use in blocking or load holding circuits with general purpose hydraulic fluids.

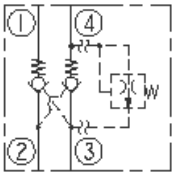
### Operation

The valve has option of thermal relief from port 4 to 3.

### Features

- Hardened seat for long life and low leakage.
- Low pressure drop.
- Optional thermal relief.

## Symbol



## Ratings

### Pressure Ratings

Pressure rating	241 bar (3500 psi)
Thermal relief crack pressure	310 to 386 bar (4500 to 5600 psi)
Pilot ratio	3:1

### Flow Ratings

Flow rating	45.4 lpm (12 gpm) 60.6 lpm (16 gpm)	- <b>Note:</b> Maximum
Maximum internal leakage	0.25 ml/min (5 drops/min)	- <b>Note:</b> Check valve leakage (at 207 bar (3000 psi))
	0.25 ml/min (5 drops/min)	- <b>Note:</b> Thermal relief leakage (at up to 85% of crack pressure)

### Temperature Ratings

Operating fluid temperature	-40 to 100 °C (-40 to 212 °F)	- <b>Note:</b> With buna N seals
	-26 to 204 °C (-15 to 400 °F)	- <b>Note:</b> With fluorocarbon seals
	-54 to 107 °C (-65 to 225 °F)	- <b>Note:</b> With polyurethane seals
Storage temperature	-40 to 70 °C (-40 to 160 °F)	
Ambient temperature	-40 to 90 °C (-40 to 194 °F)	

### Other Ratings

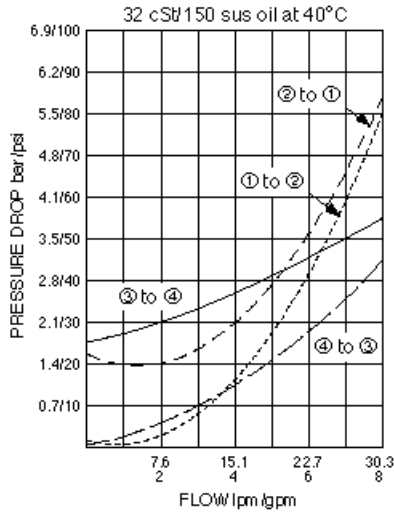
Corrosion protection	Gdc10-40x - 960 hour salt spray per ASTM b117
----------------------	---

## Properties

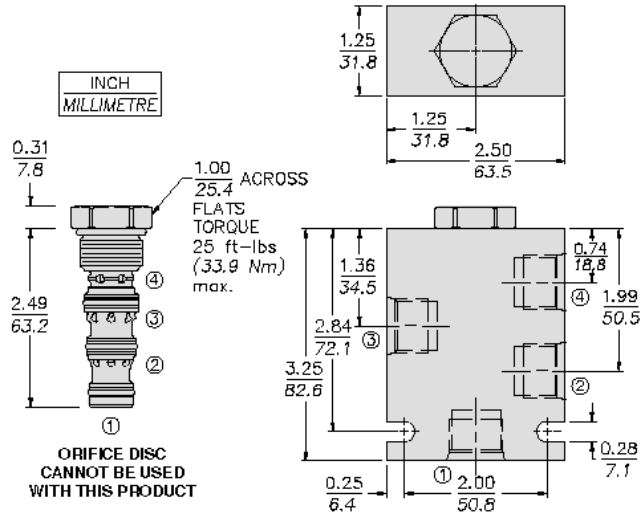
Unit weight	0.14 kg (0.30 lb)
Internal wetted surface area	174 cm <sup>2</sup> (27 in <sup>2</sup> )



## Performance



## Dimensions



## Installation Specifications

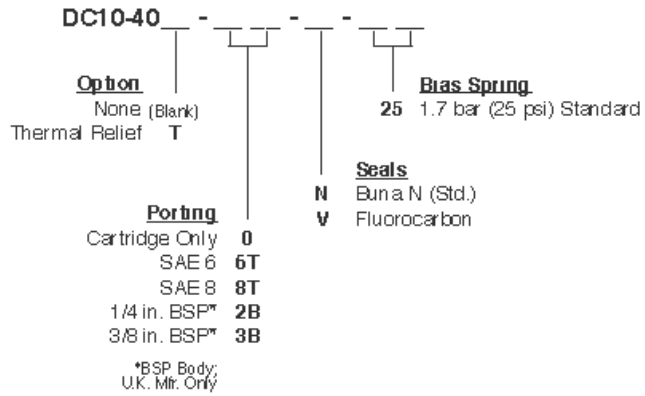
Cavity	VC10-4
Cartridge installation torque	32.6 to 35.4 N-m (24 to 26 ft-lb)
Orientation restriction	None

## Accessories

Seal kit	SK10-4N-MMM	- <b>Note:</b> Buna N
	SK10-4V-MMM	- <b>Note:</b> Fluorocarbon
	SK10-4P-MMM	- <b>Note:</b> Polyurethane



## Order Code



### Model Options

#### DC10-40-H-J-R

##### H Line Body

CODE	DESCRIPTION
0	No Body
6T	Aluminum SAE 6
8T	Aluminum SAE 8
6TD	Ductile Iron SAE 6

##### J Seal

CODE	DESCRIPTION
N	Buna-N
V	Fluorocarbon
P	Polyurethane
U	PPDI Urethane

##### R Spring

CODE	DESCRIPTION
25	25 psi Bias Spring
70	70 psi Bias Spring
115	115 psi Bias Spring