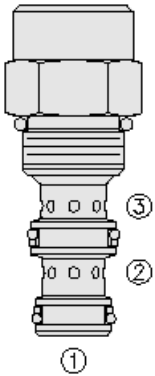




## Overview



### Description

EC08-32 is a screw-in, cartridge style, load sense, flow on demand, pressure compensator valve.

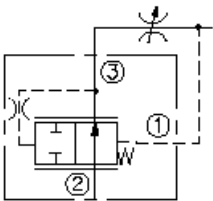
### Operation

With inlet flow at port 2, the EC08-32 will deliver required flow at port 3 regardless of load pressure sensed at port 1.

### Features

- Range of flow ratings available.
- Hardened parts for long life.
- Several compensation springs available.
- Quiet, modulated response.
- Compact, industry-common cavity.

### Symbol



## Ratings

### Pressure Ratings

Pressure rating	241 bar (3500 psi)
Proof pressure	345 bar (5000 psi)
Burst pressure	1034 bar (15000 psi)

### Flow Ratings

Flow rating	5.7 lpm (1.5 gpm)	- <b>Note:</b> With 2.7 bar (40 psi)compensating spring
	11.4 lpm (3.0 gpm)	- <b>Note:</b> With 5.5 bar (80 psi)compensating spring
	19 lpm (5.0 gpm)	- <b>Note:</b> With 10.3 bar (150 psi)compensating spring
	30.3 lpm (8.0 gpm)	- <b>Note:</b> With 17.2 bar (250 psi)compensating spring
Maximum internal leakage	20 ml/min (1.2 in <sup>3</sup> /min)	- <b>Note:</b> At port 1 with pressure at port 2 and port 3 blocked 241 bar (3500 psi)

### Temperature Ratings

Operating fluid temperature	-40 to 100 °C (-40 to 212 °F)	- <b>Note:</b> With buna N seals
	-35 to 204 °C (-31 to 400 °F)	- <b>Note:</b> With fluorocarbon seals
Storage temperature	-40 to 70 °C (-40 to 160 °F)	
Ambient temperature	-40 to 70 °C (-40 to 160 °F)	

### Other Ratings

Corrosion protection	960 hr salt spray per ASTM b117 (model number - gec08-32)
----------------------	---

## Operating Parameters

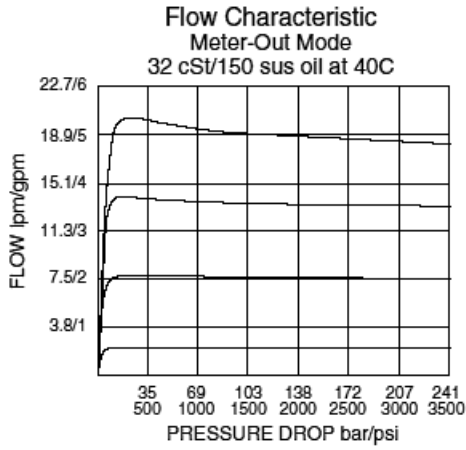
Fluids	Mineral based or synthetic hydraulic fluid with lubricating properties
Fluid viscosity range	7.4 to 420 cSt
Maximum operating contamination level	18/16/13 per ISO 4406

## Properties

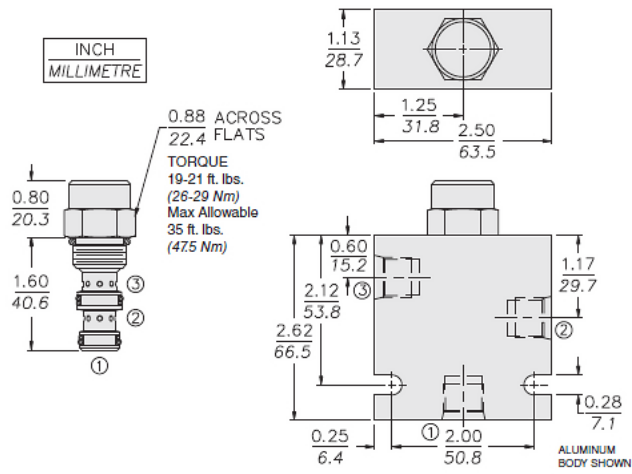
Unit weight	0.1 kg (0.22 lb)
Internal wetted surface area	105 cm <sup>2</sup> (16.2 in <sup>2</sup> )



Performance



Dimensions



Installation Specifications

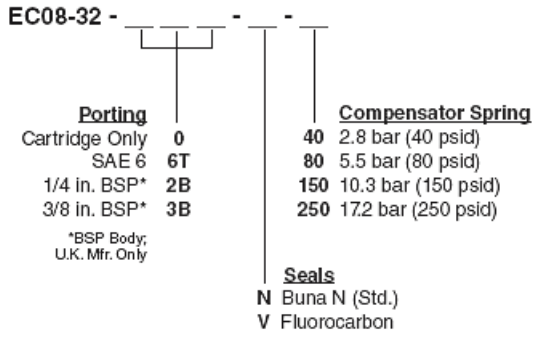
Cavity	VC08-3
Cartridge installation torque	26 to 29 N-m (19 to 21 ft-lb)
Maximum allowable torque	47.5 N-m (35 ft-lb)
Orientation restriction	None

Accessories

Seal kit	SK08-3X-MM	- Note: X = seal option
----------	------------	-------------------------



## Order Code



### Model Options

#### EC08-32-H-J-R

##### H Line Body

CODE	DESCRIPTION
0	No Body
4T	Aluminum SAE 4
6T	Aluminum SAE 6
6TD	Ductile Iron SAE 6
8TD	Ductile Iron SAE 8
3B	Aluminum BSPP 3/8" (3)
3BD	Ductile Iron BSPP 3/8" (3)

##### J Seal

CODE	DESCRIPTION
N	Buna-N
V	Fluorocarbon
P	Polyurethane
U	PPDI Urethane

##### R Compensator Spring

CODE	DESCRIPTION
40	40 Compensator Spring
80	80 Compensator Spring
150	150 Compensator Spring
250	250 Compensator Spring