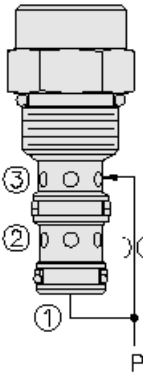




## Overview



### Description

This valve is a pressure - compensating element,intended for use with remote fixed or variable orifice to yield a two - port type, pressure compensated, flow - regulating hydraulic valve.

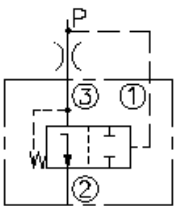
### Operation

This valve maintains a constant flow rate from port 2 regardless of load pressure changes in the circuit downstream of port 2. This valve maintains a constant differential pressure from circuit point P to port 3 (see symbol), thereby regulating the hydraulic flow rate between the two points in the circuit.

### Features

- Hardened parts for long life.
- Quiet, modulated response.
- Industry-common cavity.

### Symbol



## Ratings

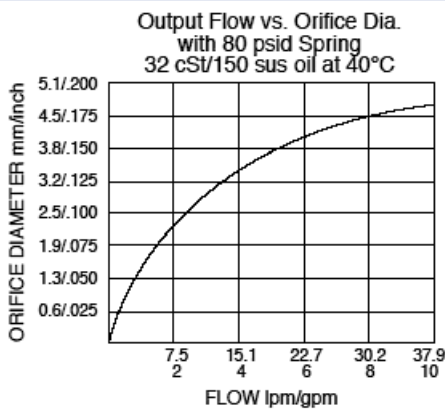
### Pressure Ratings

Pressure rating 207 bar (3000 psi)

### Flow Ratings

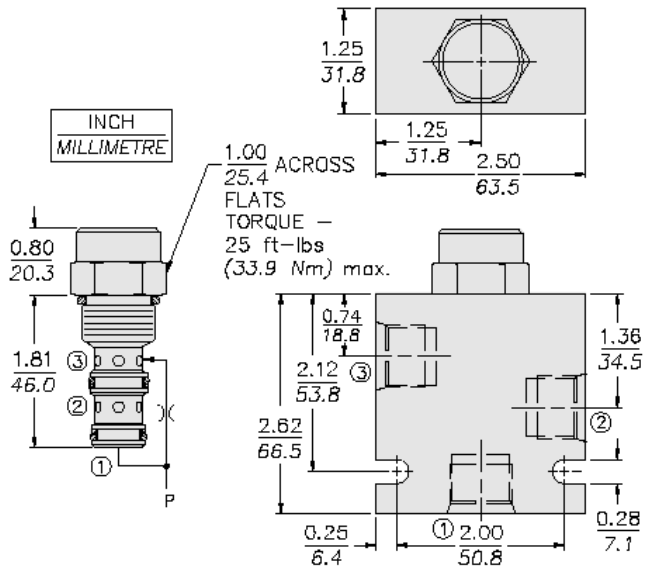
Flow rating 30.3 lpm (8 gpm) - **Note:** With 80 psi spring  
 Flow maintenance  $\pm 10\%$  - **Note:** From 0.38 to 30.3 lpm (0.1 to 8 gpm) at pressures 5.5 to 207 bar (80 to 3000 psi)

## Performance





## Dimensions



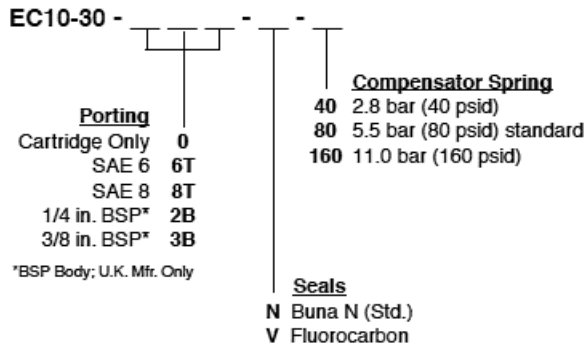
## Installation Specifications

Cavity

VC10-3



## Order Code



### Model Options

#### EC10-30-H-J-R

##### H Line Body

CODE	DESCRIPTION
0	No Body
6T	Aluminum SAE 6
8T	Aluminum SAE 8
6TD	Ductile Iron SAE 6
8TD	Ductile Iron SAE 8
3B	Aluminum BSPP 3/8" (3)
3BD	Ductile Iron BSPP 3/8" (3)

##### J Seal

CODE	DESCRIPTION
N	Buna-N
V	Fluorocarbon
P	Polyurethane
U	PPDI Urethane

##### R Compensator Spring

CODE	DESCRIPTION
40	40 Compensator Spring
80	80 Compensator Spring
160	160 Compensator Spring