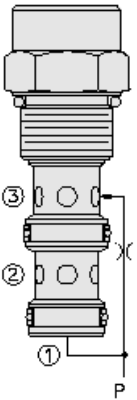




Overview



Description

EC12-30 is a screw-in cartridge style pressure compensator element, intended for use with remote fixed or variable orifice to yield a two port type, pressure compensated, flow regulating hydraulic valve.

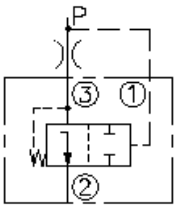
Operation

This valve maintains a constant flow rate from port 2 regardless of load pressure changes in the circuit downstream of port 2. This valve maintains a constant differential pressure from circuit point P to port 3 (see symbol), thereby regulating the hydraulic flow rate between the two points in the circuit.

Features

- Hardened parts for long life.
- Quiet, modulated response.
- Industry-common cavity.

Symbol



Ratings

Pressure Ratings

Pressure rating 241 bar (3500 psi)

Flow Ratings

Flow rating 37.9 lpm (10.0 gpm) - **Note:** With 6.9 bar (100 psi)compensating spring
56.8 lpm (15.0 gpm) - **Note:** With 11.0 bar (160 psi)compensating spring

Temperature Ratings

Operating fluid temperature -40 to 100 °C (-40 to 212 °F) - **Note:** With buna N seals
-26 to 204 °C (-15 to 400 °F) - **Note:** With fluorocarbon seals
-54 to 107 °C (-65 to 225 °F) - **Note:** With polyurethane seals
Storage temperature -40 to 70 °C (-40 to 160 °F)
Ambient temperature -40 to 70 °C (-40 to 160 °F)

Operating Parameters

Fluids Mineral based or synthetic hydraulic fluid with lubricating properties
Fluid viscosity range 7.4 to 420 cSt
Maximum operating contamination level 18/16/13 per ISO 4406

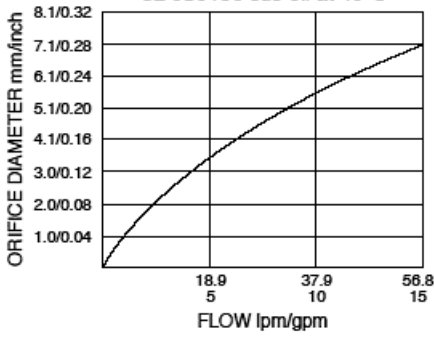
Properties

Unit weight 0.30 kg (0.66 lb)
Internal wetted surface area 227.6 cm² (35.28 in²)

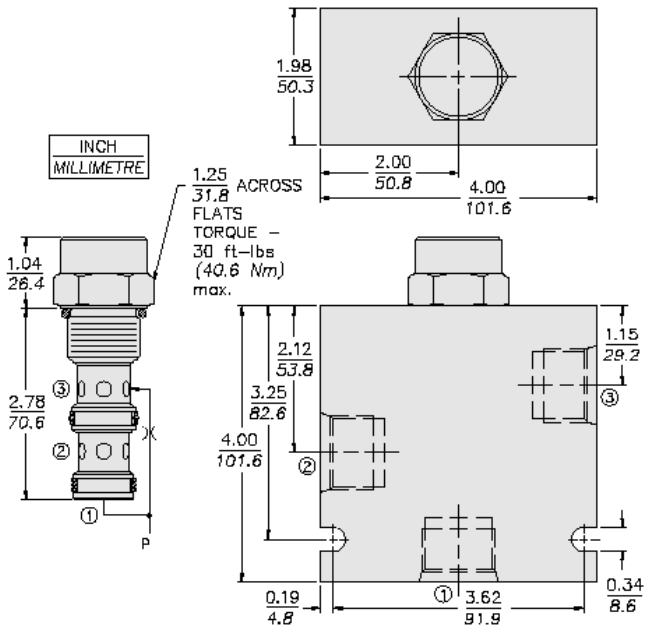


Performance

Output Flow vs. Orifice Dia.
with 100 psid Spring
32 cSt/150 sus oil at 40°C



Dimensions



Installation Specifications

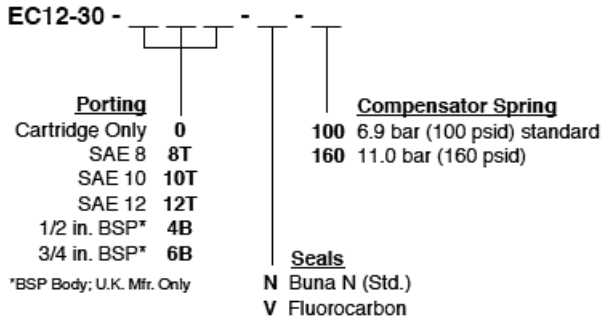
Cavity	VC12-3
Cartridge installation torque	45 to 50 N-m (33 to 37 ft-lb)
Orientation restriction	None

Accessories

Seal kit	SK12-3X-MM	- Note: X = seal option
----------	------------	-------------------------



Order Code



Model Options

EC12-30-H-J-R

H Line Body

CODE	DESCRIPTION
0	No Body
8T	Aluminum SAE 8
10T	Aluminum SAE 10
12T	Aluminum SAE 12
12TD	Ductile Iron SAE 12
6B	Aluminum BSPP 3/4" (6)

J Seal

CODE	DESCRIPTION
N	Buna-N
V	Fluorocarbon
P	Polyurethane
U	PPDI Urethane

R Compensator Spring

CODE	DESCRIPTION
100	100 Compensator Spring
160	160 Compensator Spring