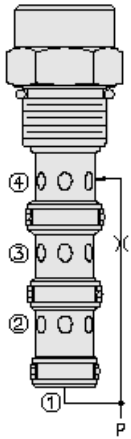




Overview



Description

A screw in, cartridge style pressure compensating element, intended for use with a remote fixed or variable orifice to yield a three port (bypass type), pressure compensated, flow - regulating hydraulic valve.

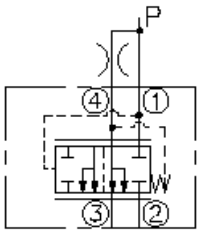
Operation

The EC12-40 maintains a constant flow rate from port 3 regardless of load pressure changes in the circuit downstream of port 3. The cartridge maintains a constant differential pressure from circuit point P to port 3 (see USA/SI symbol), thereby regulating the hydraulic flow rate between the two points in the circuit. The EC12-40 is a priority type regulator, delivering pump flow first to port 3, then bypassing excess to port 2. All ports may be fully pressurized.

Features

- Hardened parts for long life.
- Quiet, modulated response.
- Cost-effective cavity.

Symbol



Ratings

Pressure Ratings

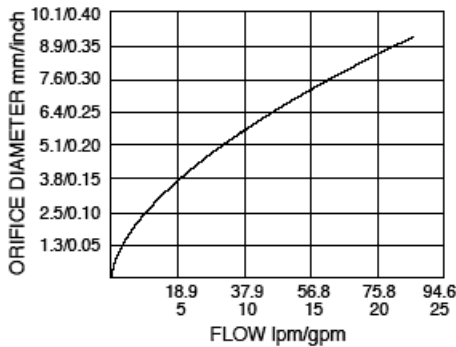
Pressure rating 240 bar (3500 psi)

Flow Ratings

Inlet flow rating	120 lpm (32 gpm)	- Note: Maximum
Regulated flow	80 lpm (21 gpm)	- Note: Maximum, with spring 11 bar (160 psi)
Flow maintenance	%	- Note: From 7.57 to 75.7 lpm (2 to 20 gpm)

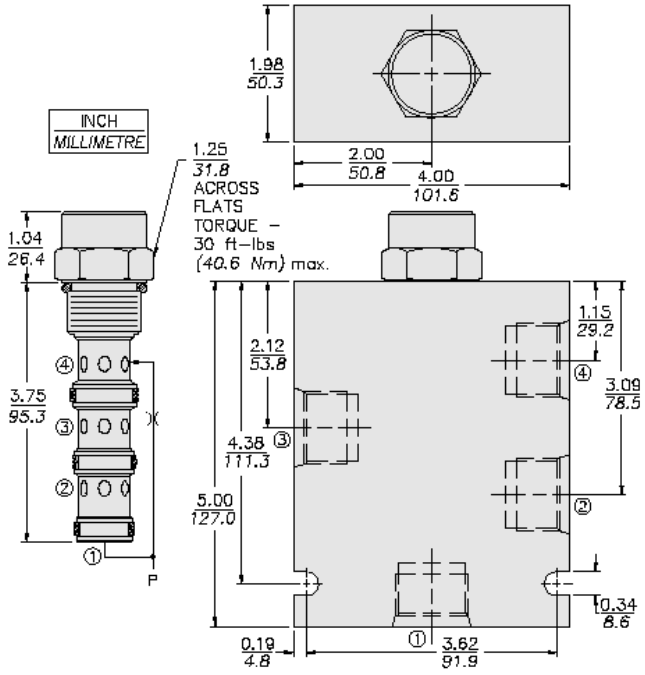
Performance

Output Flow vs. Orifice Dia.
with 100 psid Spring
32 cSt/150 sus oil at 40°C



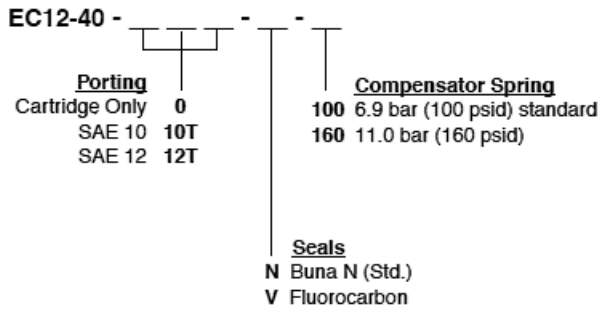


Dimensions





Order Code



Model Options

EC12-40-H-J-R

H Line Body

CODE	DESCRIPTION
0	No Body
10T	Aluminum SAE 10
12T	Aluminum SAE 12
12TD	Ductile Iron SAE 12
6B	Aluminum BSPP 3/4" (6)

J Seal

CODE	DESCRIPTION
N	Buna-N
V	Fluorocarbon
P	Polyurethane
U	PPDI Urethane

R Compensator Spring

CODE	DESCRIPTION
60	60 Compensator Spring
75	75 Compensator Spring
100	100 Compensator Spring
160	160 Compensator Spring