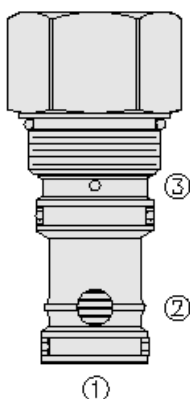




Overview



Description

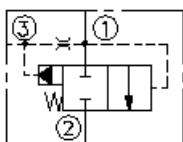
The EV20-S34 is a screw-in, cartridge style, hydraulic directional element. It is a spring biased blocking valve which will shift to allow full flow from port 1 to 2 only when port 3 is vented to create a pressure drop across the internal orifice which exceeds the bias spring pressure value.

NOTE: Orifice disc should not be used with this product.

Features

- Multiple function/application potential.
- Smooth shift transition.
- Low pressure drop.
- Industry common cavity.

Symbol



Ratings

Pressure Ratings

Pressure rating 345 bar (5000 psi) - **Note:** Polyurethane seals are recommended for 5000 psi [345 bar]

Flow Ratings

Maximum internal leakage 197 ml/min (12 in³/min) - **Note:** At 5000 psi 345 bar

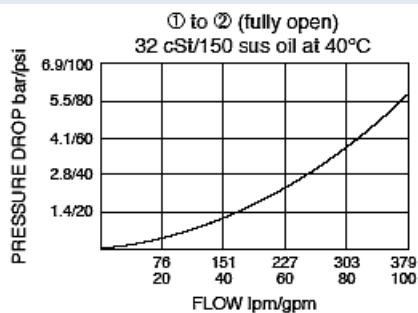
Temperature Ratings

Operating fluid temperature -40 to 204 °C (-40 to 400 °F)

Properties

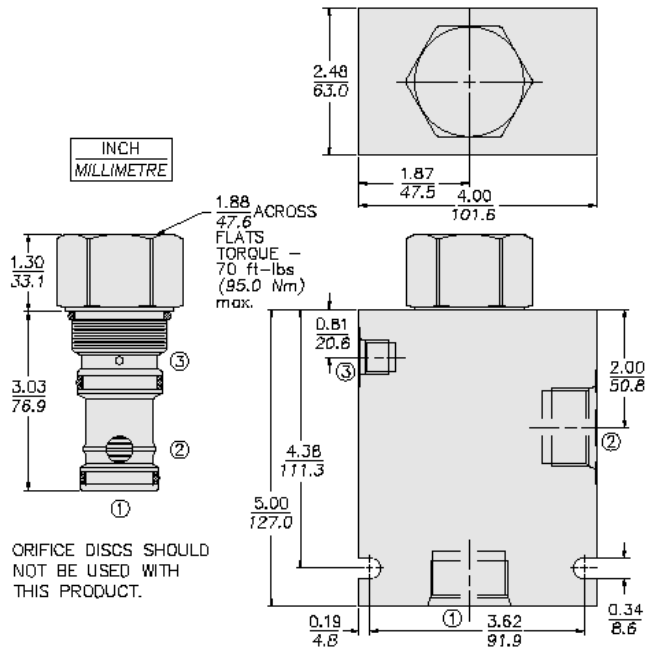
Unit weight 0.82 kg (1.8 lb)

Performance





Dimensions



Installation Specifications

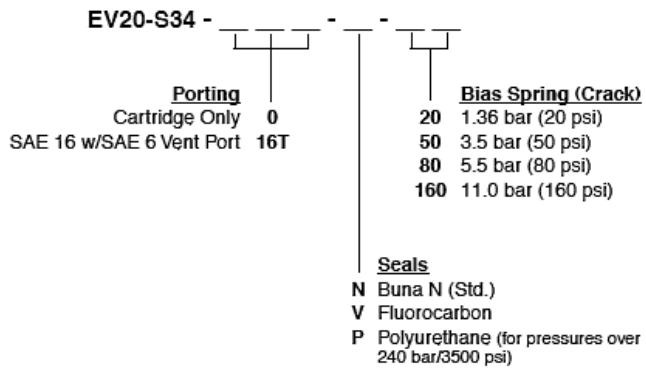
Cavity	VC20-S3
Cartridge installation torque	88 to 102 N-m (65 to 75 ft-lb)

Accessories

Seal kit	SK20-S3N-MM	- Note: Buna N
	SK20-S3V-MM	- Note: Viton
	SK20-S3P-MM	- Note: Polyurethane



Order Code



Model Options

EV20-S34-H-J-R

H Line Body

CODE	DESCRIPTION
0	No Body
16T	Aluminum SAE 16
16TD	Ductile Iron SAE 16

J Seal

CODE	DESCRIPTION
N	Buna-N
V	Fluorocarbon
P	Polyurethane
U	PPDI Urethane

R Spring

CODE	DESCRIPTION
20	20 psi Bias Spring
50	50 psi Bias Spring
80	80 psi Bias Spring
160	160 psi Bias Spring