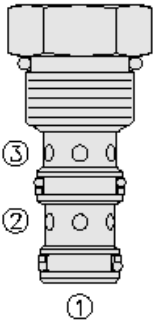




Overview



Description

A screw-in, cartridge style, fixed orifice, pressure compensated, bi-directional flow regulating valve (restrictive type). It is a spring biased bi-directional blocking poppet type valve.

Operation

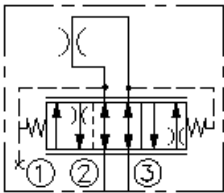
The FR10-32F maintains a constant flow rate regardless of pressure drops across the valve or flow direction from port 2 to 3 or from port 3 to 2. Port 1 should be blocked.

note: it is intended for use with mineral based or synthetic hydraulic fluids with lubricating properties.

Features

- Hardened seat for long life and low leakage.
- Various adjustment options.
- Excellent linearity and hysteresis.
- Adjustable orifice.
- Bi-directional.
- Industry-common cavity.

Symbol



Ratings

Pressure Ratings

Pressure rating 240 bar (3500 psi)

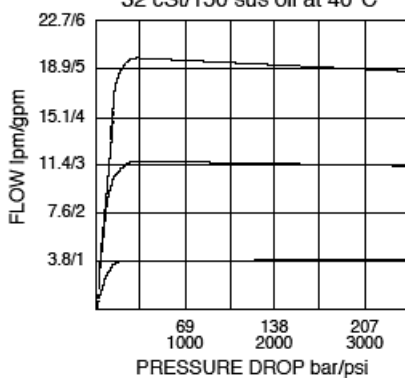
Flow Ratings

Flow setting 2.0 to 19.0 lpm (0.5 to 5.0 gpm)

Performance

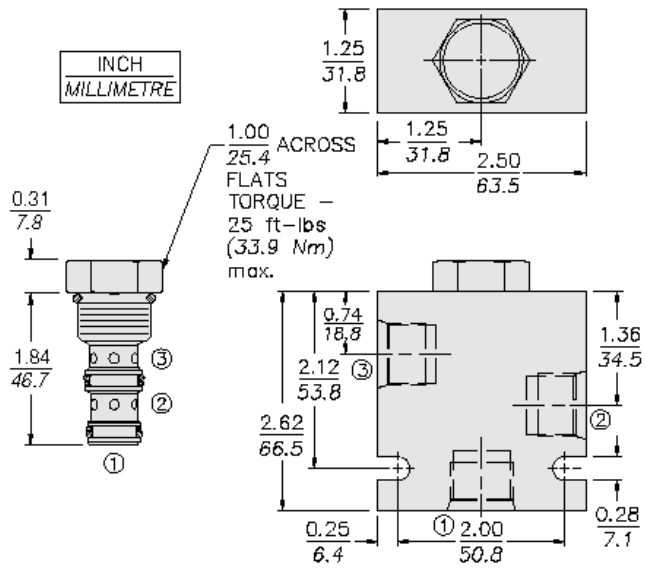
Regulated Flow vs. Pressure Drop

② to ③ or ③ to ②
1, 3 and 5 gpm settings shown
32 cSt/150 sus oil at 40°C





Dimensions



Installation Specifications

Cavity	VC10-3
Cartridge installation torque	240 N-m (25 ft-lb)

