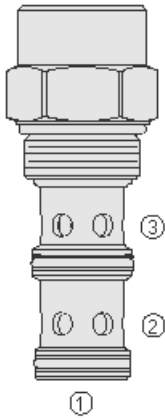




Overview



Description

A screw-in, cartridge style, pressure compensated, non adjustable regulator intended for use in fixed displacement hydraulic circuits requiring partial pump flow diversion on a priority basis. It is intended for use with mineral based or synthetic hydraulic fluids with lubricating properties.

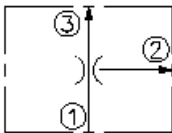
Operation

The FR16-30F maintains a constant flow rate from port 3 regardless of load pressure changes in the system downstream of port 3, or in bypass leg at port 2.

Features

- Hardened parts for long life.
- Quiet, modulated response.

Symbol



Ratings

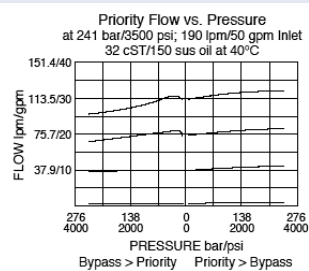
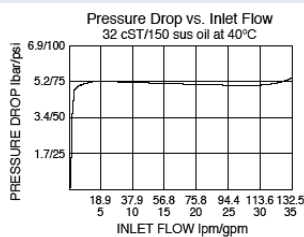
Pressure Ratings

Pressure rating	241 bar (3500 psi)
Compensating pressure differential	5.5 bar (80 psid)

Flow Ratings

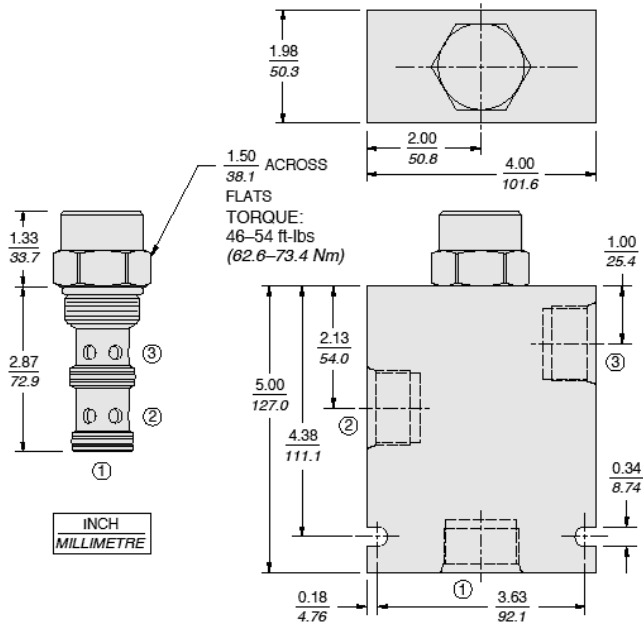
Flow rating	113 lpm (30 gpm)	- Note: Max priority flow
	190 lpm (50 gpm)	- Note: Max input flow

Performance





Dimensions



Installation Specifications

Cavity	VC16-3
Cartridge installation torque	62.6 to 73.4 N-m (46 to 54 ft-lb)



Order Code

FR16-30F -		-	- /
Porting			Priority Setting
Cartridge Only	0		Setting in LPM
SAE 12	12T		Range: 4 to 113 lpm
SAE 16	16		Specify, for example:
			M20.0 20.0 lpm
			M100 100 lpm
			etc.
Seals			Setting in GPM
Buna N (Std.)	N		Range: 1 to 30 gpm
Fluorocarbon	V		Specify, for example:
			15.0 15 gpm
			22.0 22 gpm
			etc.
			Drill Size Method
			In thousandths of an inch.
			Range: 0.63 to 0.302
			Specify, for example:
			D150 0.150 in. control orifice hole
			etc.

Note: Compensator spring values may be varied for OEM application to provide changed differential pressure/output flow relationships. Consult factory.

Note: Minimum drill diameter is 0.020 in. For smaller orifice sizes consult factory.

Model Options

FR16-30F-H-J-/T

F Adjustment Option

CODE	DESCRIPTION
F	Factory Preset Non-Adjustable

H Line Body

CODE	DESCRIPTION
0	No Body
12T	Aluminum SAE 12
16T	Aluminum SAE 16
16TD	Ductile Iron SAE 16

J Seal

CODE	DESCRIPTION
N	Buna-N
V	Fluorocarbon
P	Polyurethane
U	PPDI Urethane

T Flow setting

CODE	DESCRIPTION
XX	Flow setting