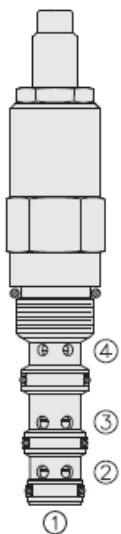




## Overview



### Description

The frr10-40 is a screw in, cartridge type, combination valve including a fixed orifice, pressure compensated, priority type flow regulator and a pressure relief valve.

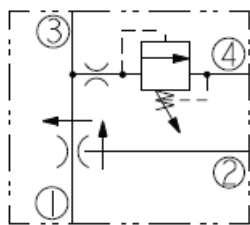
### Operation

With inlet at port 1 and ports 4 and 2 connected to tank, the valve maintains a constant flow rate from port 3 regardless of pressure variations at port 3.

### Features

- Compact size.
- Two valve functions in one, industry-common cavity.
- Efficient - FR portion is vented.
- Quiet, modulated response.
- Hardened parts for long life.

### Symbol



## Ratings

### Pressure Ratings

Pressure rating	207 bar (3000 psi) 276 bar (4000 psi)	- <b>Note:</b> Maximum system pressure
-----------------	--	--

### Flow Ratings

Priority flow rating	2.8 to 18.9 lpm (0.75 to 5.0 gpm)
----------------------	-----------------------------------

### Temperature Ratings

Operating fluid temperature	-40 to 100 °C (-40 to 212 °F) -26 to 204 °C (-15 to 400 °F)	- <b>Note:</b> With buna N seals - <b>Note:</b> With fluorocarbon seals
Storage temperature	-40 to 70 °C (-40 to 160 °F)	
Ambient temperature	-40 to 70 °C (-40 to 160 °F)	

## Operating Parameters

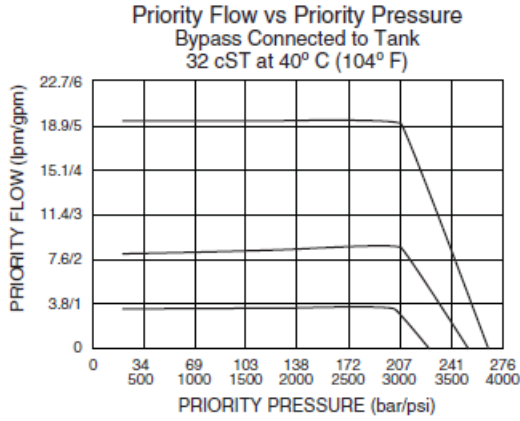
Fluids	Mineral based or synthetic hydraulic fluid with lubricating properties
Fluid viscosity range	7.4 to 420 cSt
Maximum operating contamination level	18/16/13 per iso4406

## Properties

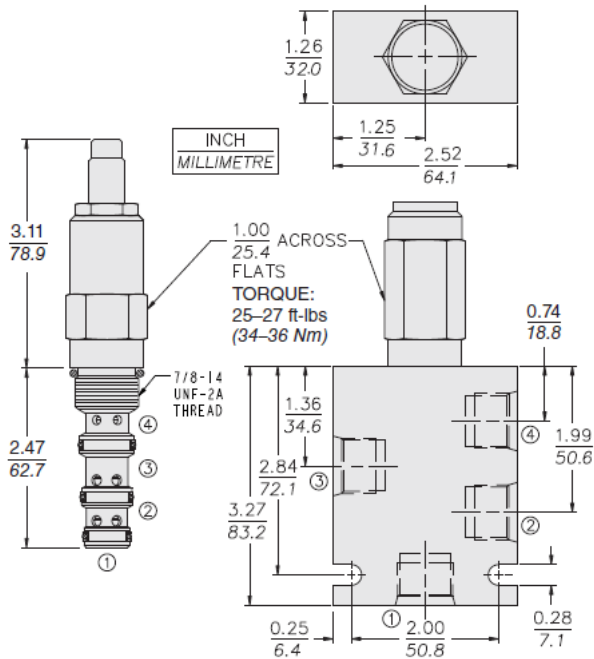
Unit weight	0.29 kg (0.63 lb)
Internal wetted surface area	266 cm <sup>2</sup> (41.2 in <sup>2</sup> )



## Performance



## Dimensions



## Installation Specifications

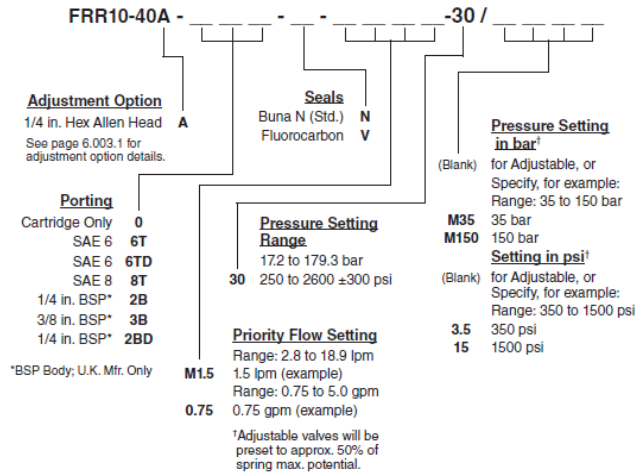
Cavity	VC10-4
Cartridge installation torque	34 to 37 N-m (25 to 27 ft-lb)
Orientation restriction	None

## Accessories

Seal kit	SK10-4X-M	- <b>Note:</b> X = seal option
----------	-----------	--------------------------------



**Order Code**



**Model Options**

**FRR10-40A-H-J-S-T**

**H Line Body**

CODE	DESCRIPTION
0	No Body
6T	Aluminum SAE 6
8T	Aluminum SAE 8
6TD	Ductile Iron SAE 6

**J Seal**

CODE	DESCRIPTION
N	Buna-N
V	Fluorocarbon
P	Polyurethane

**S Spring Setting**

CODE	DESCRIPTION
MXXX	Spring Setting in XXX bar
XX	Spring Setting in XX psi (x 100)

**T Flow Setting**

CODE	DESCRIPTION
XX	Flow Setting