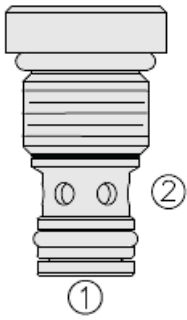




Overview



Description

The HCV06-20 is a screw-in, cartridge style, hydraulic check valve for use as a blocking or load-holding device for high pressure applications.

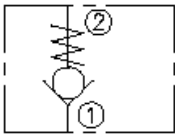
Operation

The check valve allows flow from port 1 to 2, while normally blocking flow in the opposite direction. The cartridge valve has a fully guided poppet which is spring biased closed until sufficient pressure is applied at port 1 to open to port 2.

Features

- Hardened seat for long life and low leakage.
- All HyPerformance products are tested to the rigorous standards of the NFPA specification T2.6.1.
- All HyPerformance valves are tested at a verification level of 90% and an assurance of 99%.

Symbol



Ratings

Pressure Ratings

Pressure rating	350 bar (5075 psi) 420 bar (6090 psi)	- Note: 10% cycle life
Proof pressure	690 bar (10000 psi)	
Burst pressure	1380 bar (20000 psi)	

Flow Ratings

Flow rating	19 lpm (5 gpm)	- Note: At 350 bar (5075 psi)
Maximum internal leakage	0.10 ml/min (2 drops/min)	

Other Ratings

Cycle life	One million cycles
------------	--------------------

Temperature Ratings

Operating fluid temperature	-40 to 100 °C (-40 to 212 °F)	- Note: With buna N seals
	-26 to 204 °C (-15 to 400 °F)	- Note: With fluorocarbon seals
	-54 to 107 °C (-65 to 225 °F)	- Note: With urethane seals
Storage temperature	-40 to 70 °C (-40 to 160 °F)	
Ambient temperature	-40 to 90 °C (-40 to 194 °F)	

Operating Parameters

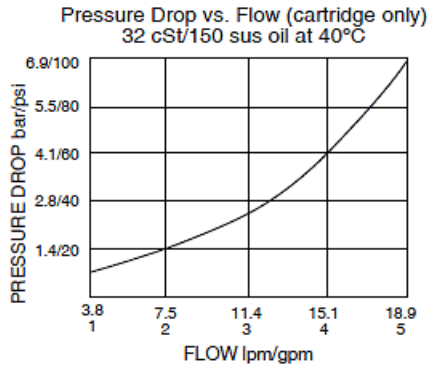
Fluids	Mineral based or synthetic hydraulic fluid with lubricating properties
Fluid viscosity range	7.4 to 420 cSt
Maximum operating contamination level	18/16/13 per ISO 4406

Properties

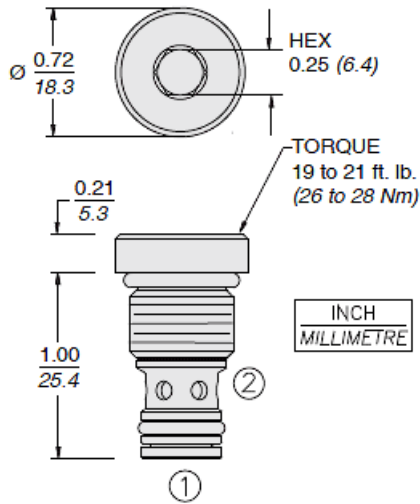
Unit weight	0.03 kg (0.06 lb)
Internal wetted surface area	34 cm ² (5.2 in ²)



Performance



Dimensions



ORIFICE DISC CANNOT BE USED
WITH THIS VALVE
due to HyPerformance™ cavity.

Installation Specifications

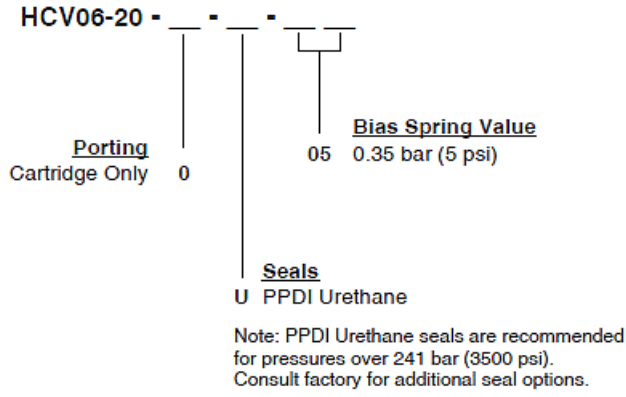
Cavity	HVC06-2	
Cartridge installation torque	26 to 28 N-m (19 to 21 ft-lb)	- Note: Steel/ductile iron cavity
Orientation restriction	None	

Accessories

Seal kit	SK06-2N-T	- Note: Buna N
	SK06-2V-T	- Note: Fluorocarbon
	SK06-2U-O	- Note: Urethane



Order Code



Model Options

HCV06-20-H-J-R

H Line Body

CODE	DESCRIPTION
0	No Body

J Seal

CODE	DESCRIPTION
N	Buna-N
V	Fluorocarbon
U	PPDI Urethane

R Spring

CODE	DESCRIPTION
5	5 psi Bias Spring