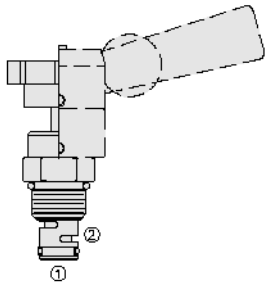
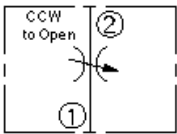




## Overview



### Symbol



### Description

The mr10-20xx is a manual rotary flow control.

### Operation

Flow is increased from minimum to maximum in a counterclockwise rotation. It is a cartridge style valve for use with general purpose hydraulic fluids.

### Features

- Ten-position detent or infinite friction lock options.
- Good linearity in three flow range options.
- Adaptable to a variety of operators.
- Optional lock-down bracket.
- Heavy-duty construction.
- Low effort adjustment.
- Industry common cavity.

## Ratings

### Pressure Ratings

Pressure rating 241 bar (3500 psi)

### Flow Ratings

Flow rating See charts  
 Maximum internal leakage 164 ml/min (10 in<sup>3</sup>/min) - **Note:** At 241 bar (3500 psi)

### Temperature Ratings

Operating fluid temperature -40 to 100 °C (-40 to 212 °F) - **Note:** With buna N seals  
 -26 to 204 °C (-15 to 400 °F) - **Note:** With viton seals  
 -54 to 107 °C (-65 to 225 °F) - **Note:** With polyurethane seals  
 Storage temperature -40 to 70 °C (-40 to 160 °F)  
 Ambient temperature -40 to 70 °C (-40 to 160 °F)

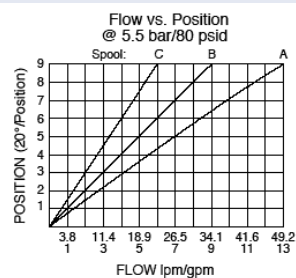
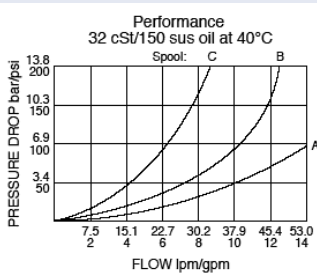
## Operating Parameters

Fluids Mineral based or synthetic hydraulic fluid with lubricating properties  
 Fluid viscosity range 7.4 to 420 cSt  
 Maximum operating contamination 20/18/14 per ISO 4406 level

## Properties

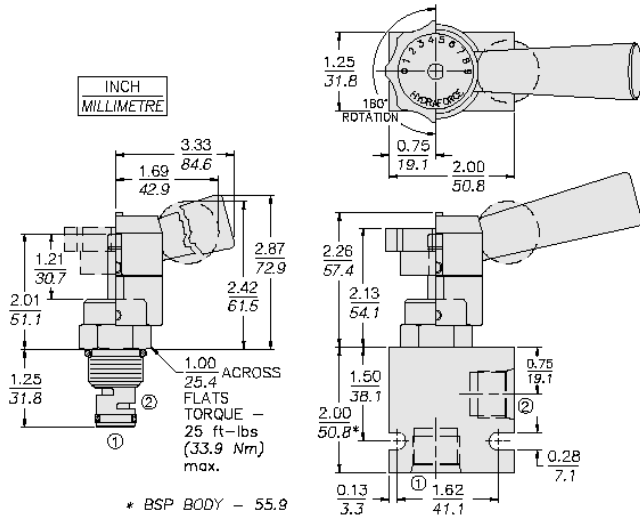
Operating torque required 3.95 N-m (35 in-lb) - **Note:** At 6.7 bar (100 psi)  
 5.08 N-m (45 in-lb) - **Note:** At 241 bar (3500 psi)  
 Unit weight 0.14 kg (0.3 lb)  
 Internal wetted surface area 113 cm<sup>2</sup> (17.5 in<sup>2</sup>)

## Performance





## Dimensions



## Installation Specifications

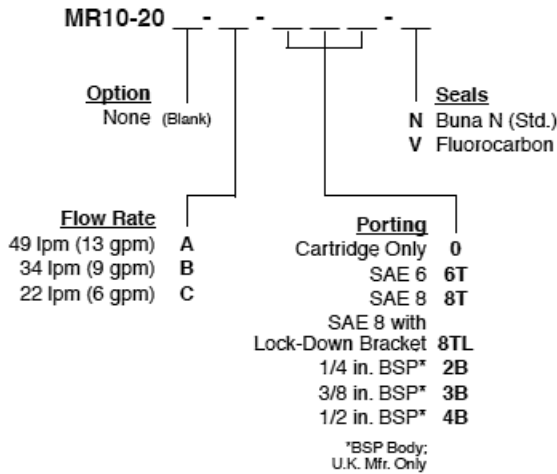
Cavity	VC10-2
Cartridge installation torque	32.6 to 35.4 N-m (24 to 26 ft-lb)
Orientation restriction	None

## Accessories

Seal kit	SK10-2X-M	- <b>Note:</b> X=seal option
----------	-----------	------------------------------



## Order Code



### Model Options

#### MR10-20BG-H-J

#### B Spool Metering Capability

CODE	DESCRIPTION
A	0 to 13 gpm (0 to 49.2 lpm)
B	0 to 9 gpm (0 to 34.1 lpm)
C	0 to 6 gpm (0 to 22.7 lpm)

#### G Screen

CODE	DESCRIPTION
BLANK	NONE
S	100 Mesh Screen

#### H Line Body

CODE	DESCRIPTION
0	No Body
6T	Aluminum SAE 6
8T	Aluminum SAE 8
8TL	Aluminum SAE 8L
6TD	Ductile Iron SAE 6
8TD	Ductile Iron SAE 8
3B	Aluminum BSPP 3/8" (3)
4B	Aluminum BSPP 1/2" (4)
4BD	Ductile Iron BSPP 1/2" (4)

#### J Seal

CODE	DESCRIPTION
N	Buna-N
V	Fluorocarbon
P	Polyurethane
U	PPDI Urethane