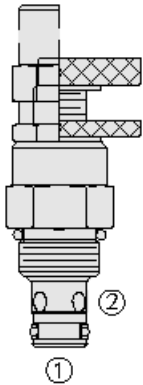




Overview



Description

The NV08-23X is a screw in, cartridge style, variable orifice, fine adjustment flow restrictor valve.

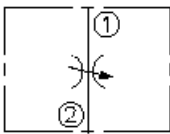
Operation

The valve increases its orifice size from fully closed to fully open with counterclockwise adjustment rotation.

Features

- Adjustments cannot be backed out of the valve.
- Desired settings may be locked down.
- Hardened parts for long life.
- Aluminum knob option.
- Positive shut-off.
- Linear adjustment.
- Compact size.

Symbol



Ratings

Pressure Ratings

Pressure rating 240 bar (3500 psi)

Flow Ratings

Flow rating 38 lpm (10 gpm) - **Note:** At fully open 165 bar (2400 psi)
 Maximum internal leakage 5 drops/min - **Note:** Max at shut off

Temperature Ratings

Operating fluid temperature	-40 to 100 °C (-40 to 212 °F)	- Note: With buna N seals
	-26 to 204 °C (-15 to 400 °F)	- Note: With viton seals
	-54 to 107 °C (-65 to 225 °F)	- Note: With polyurethane seals
Storage temperature	-40 to 70 °C (-40 to 160 °F)	
Ambient temperature	-40 to 70 °C (-40 to 160 °F)	

Operating Parameters

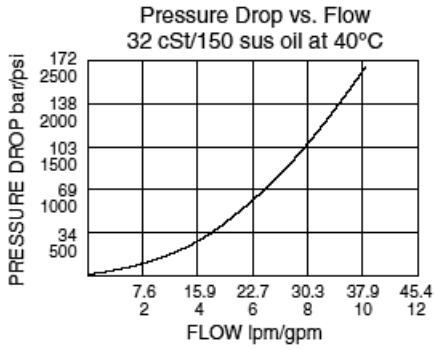
Fluids	Mineral based or synthetic hydraulic fluid with lubricating properties
Fluid viscosity range	7.4 to 420 cSt
Maximum operating contamination level	18/16/13 per ISO 4406

Properties

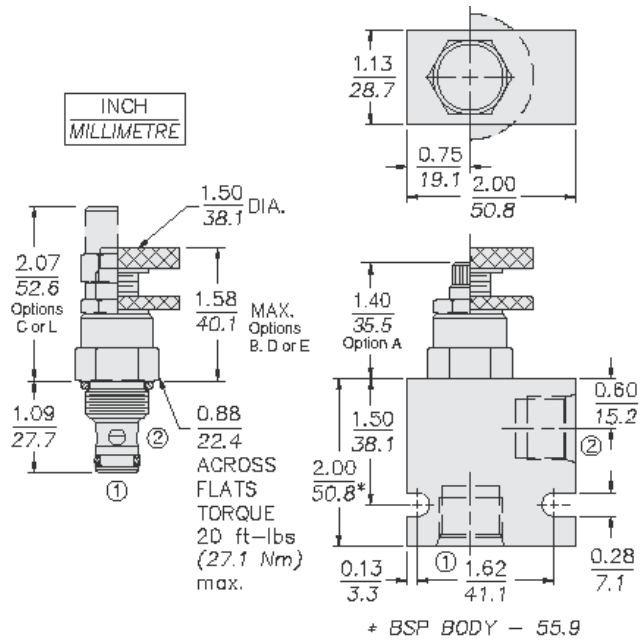
Unit weight	0.11 kg (25 lb)	- Note: (option A)
Internal wetted surface area	55 cm ² (8.4 in ²)	



Performance



Dimensions



Installation Specifications

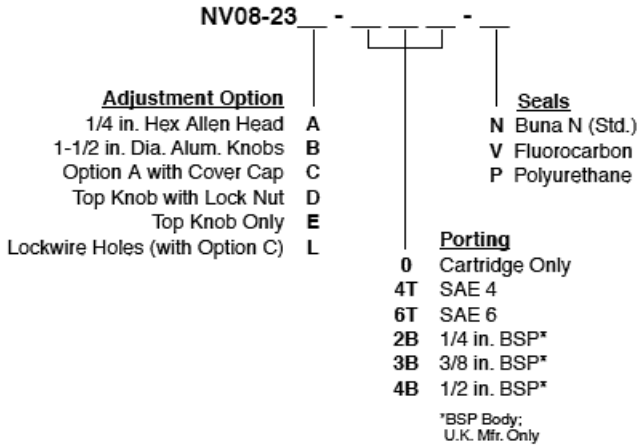
Cavity	VC08-2
Cartridge installation torque	24.5 to 27.2 N-m (18 to 20 ft-lb)
Orientation restriction	None

Accessories

Seal kit	SK08-2X-M	- Note: (x= seal option)
----------	-----------	---------------------------------



Order Code



Model Options

NV08-23F-H-J

F Adjustment Option

CODE	DESCRIPTION
A	1/4" Hex Allen Head
B	1-1/2" Diameter Aluminum Knob with Aluminum Lock Knob
C	1/4" Hex Allen Head with Cover Cap
D	1-1/2" Diameter Aluminum Knob with Lock Nut
E	1-1/2" Diameter Aluminum Knob Only
L	1/4" Hex Allen Head with Cover Cap and Lockwire Holes

H Line Body

CODE	DESCRIPTION
0	No Body
4T	Aluminum SAE 4
6T	Aluminum SAE 6
8T	Aluminum SAE 8
6TD	Ductile Iron SAE 6
8TD	Ductile Iron SAE 8
2B	Aluminum BSPP 1/4" (2)
3B	Aluminum BSPP 3/8" (3)
3BD	Ductile Iron BSPP 3/8" (3)

J Seal

CODE	DESCRIPTION
N	Buna-N
V	Fluorocarbon
P	Polyurethane
U	PPDI Urethane