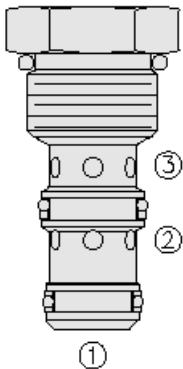




Overview



Description

The PC10-30 is a screw-in, cartridge style, pilot operated, hydraulic check valve.

Operation

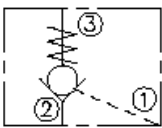
The cartridge valve allows free flow from ports 2 to 3, while normally blocking flow from ports 3 to 2. Flow will be allowed from ports 3 to 2 when pressure is applied at port 1.

The pilot ratio is 4 to 1.

Features

- Hardened seat for long life and low leakage.
- Optional sealed piston.
- Optional spring ranges.
- Industry common cavity.

Symbol



Ratings

Pressure Ratings

Pressure rating 241 bar (3500 psi)

Flow Ratings

Flow rating	- Note: See graph	
Maximum internal leakage	0.10 ml/min (2 drops/min)	- Note: At 207 bar (3000 psi) between ports 3 and 2
	115 ml/min (7 in ³ /min)	- Note: At 207 bar (3000 psi) between ports 2 and 1
	0 ml/min (0 in ³ /min)	- Note: Between ports 2 and 1 with sealed piston

Temperature Ratings

Operating fluid temperature	-40 to 100 °C (-40 to 212 °F)	- Note: With buna N seals
	-26 to 204 °C (-15 to 400 °F)	- Note: With fluorocarbon seals
	-54 to 107 °C (-65 to 225 °F)	- Note: With polyurethane and urethane seals
Storage temperature	-40 to 70 °C (-40 to 160 °F)	
Ambient temperature	-40 to 90 °C (-40 to 194 °F)	

Operating Parameters

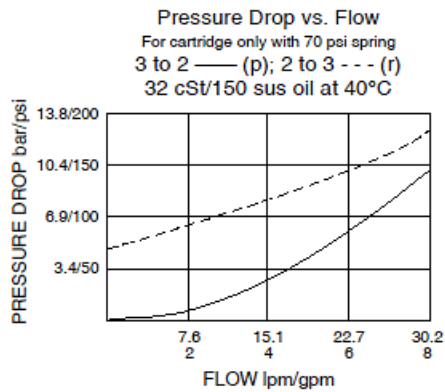
Fluids	Mineral based or synthetic hydraulic fluid with lubricating properties
Fluid viscosity range	7.4 to 420 cSt
Maximum operating contamination level	20/18/14 per ISO 4406

Properties

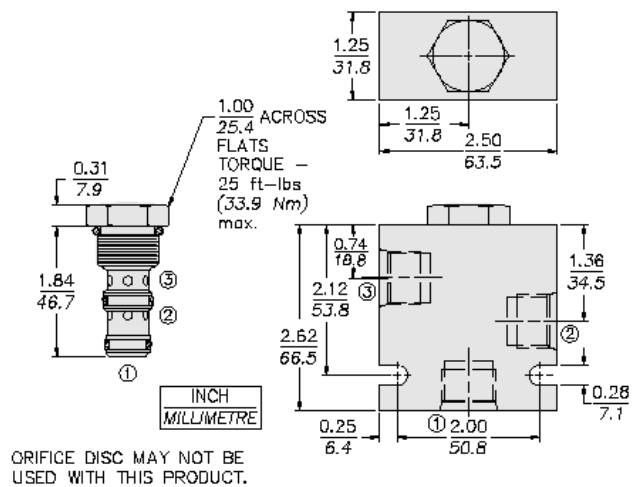
Unit weight	0.10 kg (0.21 lb)
Internal wetted surface area	104 cm ² (16.2 in ²)



Performance



Dimensions



Installation Specifications

Cavity	VC10-3
Cartridge installation torque	32.6 to 35.4 N-m (24 to 26 ft-lb)
Maximum allowable torque	67.8 N-m (50 ft-lb)
Orientation restriction	None

Accessories

Seal kit	SK10-3N-TM	- Note: Buna N
	SK10-3V-TM	- Note: Fluorocarbon
	SK10-3P-TM	- Note: Polyurethane
	SK10-3U-00	- Note: Urethane

