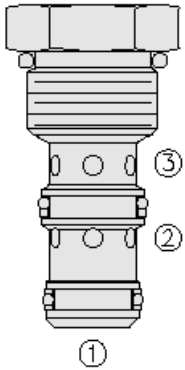




## Overview



### Description

The PC10-32 is a screw-in, cartridge style, pilot operated, hydraulic check valve.

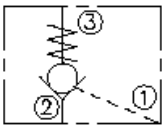
### Operation

The valve allows free flow from ports 2 to 3, while normally blocking flow from ports 3 to 2. Flow will be allowed from ports 3 to 2 when pressure is applied at port 1. The pilot ratio is 2 to 1.

### Features

- Hardened seat for long life and low leakage.
- Optional sealed piston.
- Industry common cavity.

### Symbol



## Ratings

### Pressure Ratings

Pressure rating 241 bar (3500 psi)

### Flow Ratings

Flow rating	30 lpm (8 gpm)
Maximum internal leakage	5 drops/min - <b>Note:</b> Between ports 3 and 2 at 207 bar (3000 psi) 115 ml/min (7 in <sup>3</sup> /min) - <b>Note:</b> Between ports 2 and 1 at 207 bar (3000 psi) 0 ml/min (0 in <sup>3</sup> /min) - <b>Note:</b> Between ports 2 and 1 with sealed piston

### Temperature Ratings

Operating fluid temperature	-40 to 100 °C (-40 to 212 °F)	- <b>Note:</b> With buna N seals
	-26 to 204 °C (-15 to 400 °F)	- <b>Note:</b> With viton seals
	-54 to 107 °C (-65 to 225 °F)	- <b>Note:</b> With polyurethane seals
Storage temperature	-40 to 70 °C (-40 to 160 °F)	
Ambient temperature	-40 to 70 °C (-40 to 160 °F)	

## Operating Parameters

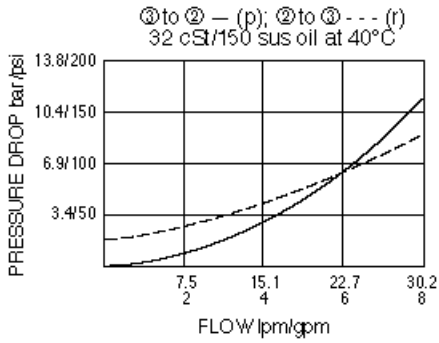
Fluids	Mineral based or synthetic hydraulic fluid with lubricating properties
Fluid viscosity range	7.4 to 420 cSt
Maximum operating contamination level	20/18/14 per ISO 4406

## Properties

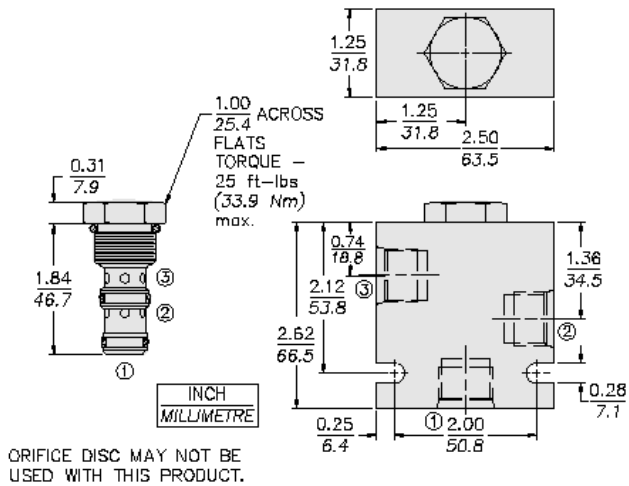
Unit weight	0.1 kg (0.21 lb)
Internal wetted surface area	107 cm <sup>2</sup> (16.6 in <sup>2</sup> )



## Performance



## Dimensions



## Installation Specifications

Cavity	VC10-3
Cartridge installation torque	32.6 to 35.4 N-m (24 to 26 ft-lb)
Orientation restriction	None

## Accessories

Seal kit	SK10-3X-TM	- Note: X = seal option
----------	------------	-------------------------



## Order Code

PC10-32 -

<p><b>Porting</b></p> <p>Cartridge Only <b>0</b></p> <p>SAE 6 <b>6T</b></p> <p>SAE 8 <b>8T</b></p> <p>1/4 in. BSP* <b>2B</b></p> <p>3/8 in. BSP* <b>3B</b></p> <p>*BSP Body; U.K. Mfr. Only</p>	<p><b>Bias Spring</b></p> <p><b>30</b> 2.1 bar/30 psi</p> <p><b>100</b> 6.9 bar/100 psi</p> <p>Note: Non-standard bias spring pressures available for OEM applications. Consult factory.</p>
---	--

<p><b>Seals</b></p> <p><b>N</b> Buna N (Std.) 2.07 bar (30 psi) spring</p> <p><b>NS</b> Buna N with Sealed Piston 6.9 bar (100 psi) spring minimum</p> <p><b>V</b> Fluorocarbon 2.07 bar (30 psi) spring</p> <p><b>VS</b> Fluorocarbon with Sealed Piston 6.9 bar (100 psi) spring minimum</p>
--

## Model Options

### PC10-32-H-J-R

#### H Line Body

CODE	DESCRIPTION
0	No Body
6T	Aluminum SAE 6
8T	Aluminum SAE 8
6TD	Ductile Iron SAE 6
8TD	Ductile Iron SAE 8
3B	Aluminum BSPP 3/8" (3)
3BD	Ductile Iron BSPP 3/8" (3)

#### J Seal

CODE	DESCRIPTION
N	Buna-N
NS	Buna-N with a Sealed Spool
V	Fluorocarbon
VS	Fluorocarbon with a Sealed Spool
P	Polyurethane
PS	Polyurethane with a Sealed Spool
U	PPDI Urethane
US	PPDI Urethane with a Sealed Spool

#### R Spring

CODE	DESCRIPTION
30	30 psi Bias Spring
100	100 psi Bias Spring