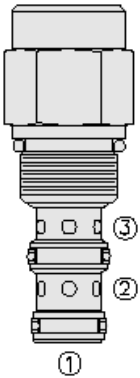




Overview



Description

The PD10-32 is a screw-in, cartridge style, pilot operated, spool-type, normally closed, hydraulic directional valve.

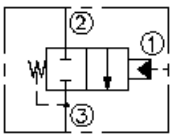
Operation

In neutral position the valve blocks flow from port 2 to 3. The spring bias chamber is internally vented to port 3. On remote pilot signal at port 1, the valve's spool shifts to allow flow from port 2 to 3 unidirectionally. Pressure on port 3 will directly (1:1) affect the pilot pressure required and must be added to the bias spring value.

Features

- Hardened spool and cage for long life.
- Industry common cavity.

Symbol



Ratings

Pressure Ratings

Pressure rating 241 bar (3500 psi)

Flow Ratings

Maximum internal leakage 82 ml/min (5 in³/min) - **Note:** At from port 1 to 2 or port 2 to 3; zero leakage from port 1 to 2 with sealed spool 207 bar (3000 psi)

Temperature Ratings

Operating fluid temperature	-40 to 100 °C (-40 to 212 °F)	- Note: With buna N seals
	-26 to 204 °C (-15 to 400 °F)	- Note: With fluorocarbon seals
	-54 to 107 °C (-65 to 225 °F)	- Note: With polyurethane seals
Storage temperature	-40 to 70 °C (-40 to 160 °F)	
Ambient temperature	-40 to 70 °C (-40 to 160 °F)	

Operating Parameters

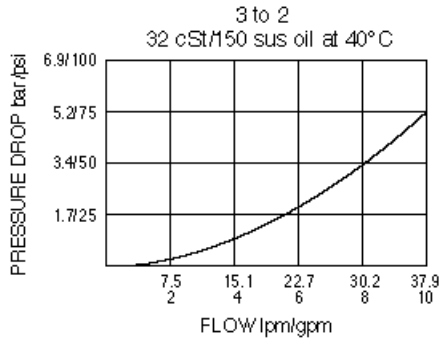
Fluids	Mineral based or synthetic hydraulic fluid with lubricating properties
Fluid viscosity range	7.4 to 420 cSt
Maximum operating contamination level	20/18/14 per ISO 4406

Properties

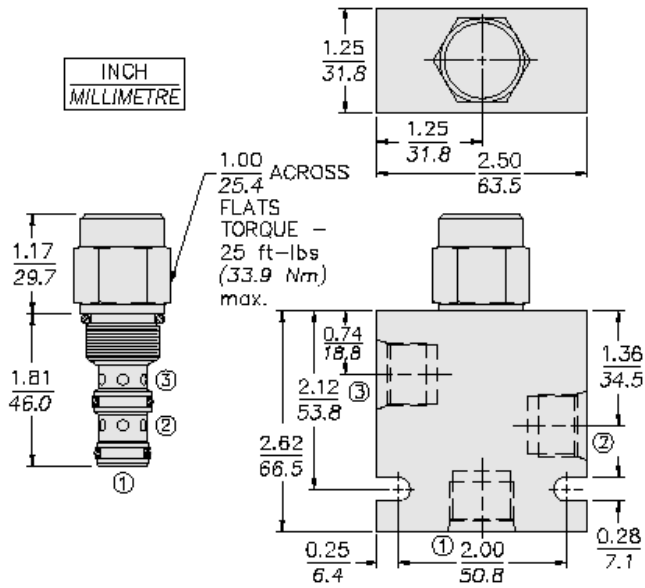
Unit weight	0.17 kg (0.38 lb)
Internal wetted surface area	160 cm ² (24.8 in ²)



Performance



Dimensions



Installation Specifications

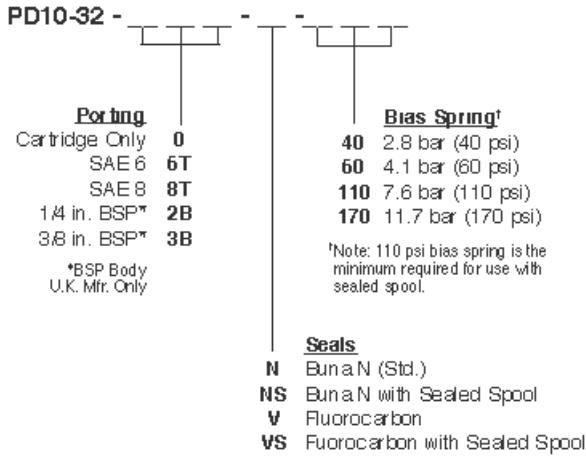
Cavity	VC10-3
Cartridge installation torque	32.5 to 35.3 N-m (24 to 26 ft-lb)
Maximum allowable torque	67.8 N-m (50 ft-lb)
Orientation restriction	None

Accessories

Seal kit	SK10-3X-MM	- Note: X = seal option
----------	------------	--------------------------------



Order Code



Model Options

PD10-32-H-J-R

H Line Body

CODE	DESCRIPTION
0	No Body
6T	Aluminum SAE 6
8T	Aluminum SAE 8
6TD	Ductile Iron SAE 6
8TD	Ductile Iron SAE 8
3B	Aluminum BSPP 3/8" (3)
3BD	Ductile Iron BSPP 3/8" (3)

J Seal

CODE	DESCRIPTION
N	Buna-N
NS	Buna-N with a Sealed Spool
V	Fluorocarbon
VS	Fluorocarbon with a Sealed Spool
P	Polyurethane
PS	Polyurethane with a Sealed Spool
U	PPDI Urethane
US	PPDI Urethane with a Sealed Spool

R Spring

CODE	DESCRIPTION
40	40 psi Bias Spring
60	60 psi Bias Spring
110	110 psi Bias Spring
130	130 psi Bias Spring
170	170 psi Bias Spring