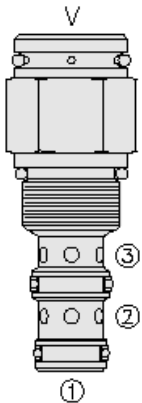




## Overview



### Description

The PD10-34 is a screw-in, cartridge style, pilot operated, spool-type, normally closed hydraulic directional valve.

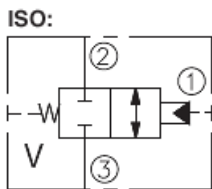
### Operation

In neutral position the valve blocks flow from port 2 to 3. The spring chamber is vented to atmosphere "v" which is internally o-ring sealed from the cartridge flow paths. On remote pilot signal at port 1, the valve's spool shifts to allow flow from port 2 to 3 bidirectionally. Because of the vented spring chamber, the cartridge may be fully pressurized at any port without affecting required pilot pressure.

### Features

- External vent-to-atmosphere.
- Range of bias springs available.
- Sealed spool option for bias spring options 110, 130 and 170.
- Hardened spool and cage for long life.
- Industry common cavity.

### Symbol



## Ratings

### Pressure Ratings

Pressure rating 241 bar (3500 psi)

### Temperature Ratings

Operating fluid temperature -40 to 120 °C (-40 to 248 °F)

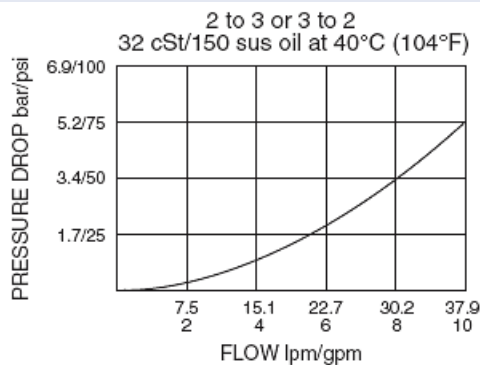
### Flow Ratings

Maximum internal leakage 82 ml/min (5 in<sup>3</sup>/min) - **Note:** From port 1 to 2 and from port 2 to 3 at 207 bar (3000 psi)  
0 lpm (0 gpm) - **Note:** From port 1 to 2 with sealed spool

## Properties

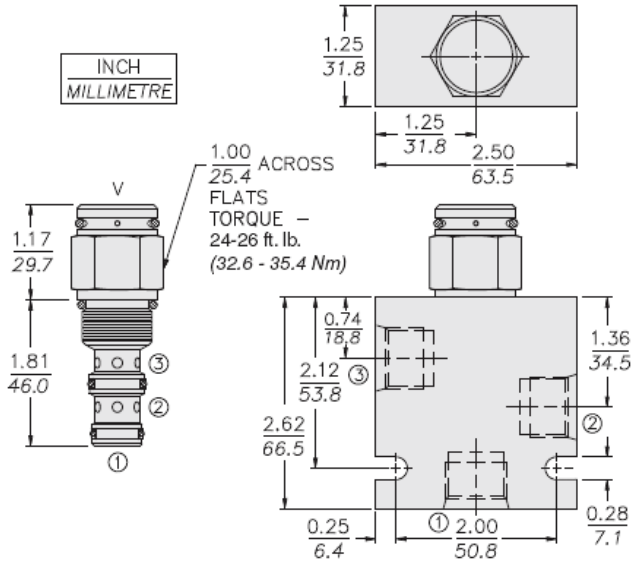
Materials steel with work surfaces hardened. External surfaces are zinc plated  
Unit weight 0.15 kg (0.34 lb)

## Performance





## Dimensions



## Installation Specifications

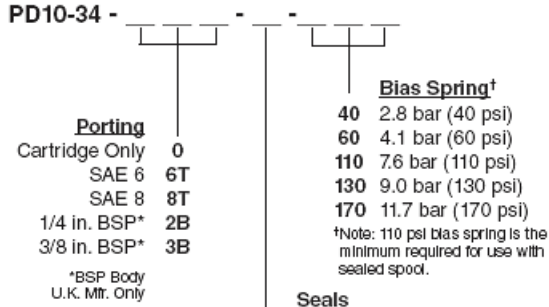
Cavity	VC10-3
Cartridge installation torque	32.6 to 35.4 N-m (24 to 26 ft-lb)

## Accessories

Seal kit	SK10-3N-MM	- <b>Note:</b> Buna N
	SK10-3V-MM	- <b>Note:</b> Viton
	SK10-3P-MM	- <b>Note:</b> Polyurethane



Order Code



- Seals**
- N Buna N (Std.)
  - NS\* Buna N with Sealed Spool
  - V Fluorocarbon
  - VS\* Fluorocarbon with Sealed Spool
  - P Polyurethane
  - VS\* Polyurethane with Sealed Spool
- \*Note: 110 psi bias spring is the minimum required for use with sealed spool.

Model Options

PD10-34-H-J-R

H Line Body

CODE	DESCRIPTION
0	No Body
6T	Aluminum SAE 6
8T	Aluminum SAE 8
6TD	Ductile Iron SAE 6
8TD	Ductile Iron SAE 8
3B	Aluminum BSPP 3/8" (3)
3BD	Ductile Iron BSPP 3/8" (3)

J Seal

CODE	DESCRIPTION
N	Buna-N
NS	Buna-N with a Sealed Spool
V	Fluorocarbon
VS	Fluorocarbon with a Sealed Spool
P	Polyurethane
PS	Polyurethane with a Sealed Spool
U	PPDI Urethane
US	PPDI Urethane with a Sealed Spool

R Spring

CODE	DESCRIPTION
40	40 psi Bias Spring
60	60 psi Bias Spring
110	110 psi Bias Spring
130	130 psi Bias Spring
170	170 psi Bias Spring