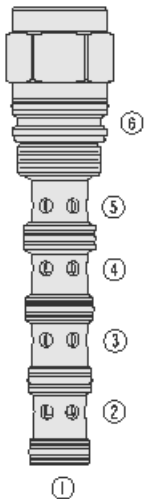




Overview



Description

The PD16-S63 is a screw-in, cartridge style, pilot operated, spool-type, hydraulic directional valve.

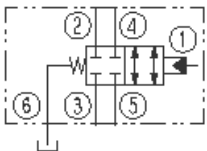
Operation

In the neutral position all ports are blocked. On remote pilot signal at port 1 the valve's spool shifts to allow flow between ports 2 and 3, and 4 and 5. The spring chamber is vented to the tank through port 6. The vented spring chamber allows the valve to be fully pressurized at ports 1, 2, 3, 4, and 5 without affecting required pilot pressure. Pressure at port 6 will affect required pilot pressure.

Features

- Hardened spool and cage for long life.
- Optional sealed spool between ports 1 and 2.

Symbol



Ratings

Pressure Ratings

Pressure rating 240 bar (3500 psi)

Temperature Ratings

Operating fluid temperature	-40 to 100 °C (-40 to 212 °F)	- Note: With buna N seals
	-26 to 204 °C (-15 to 400 °F)	- Note: With fluorocarbon seals
	-54 to 107 °C (-65 to 225 °F)	- Note: With polyurethane seals

Flow Ratings

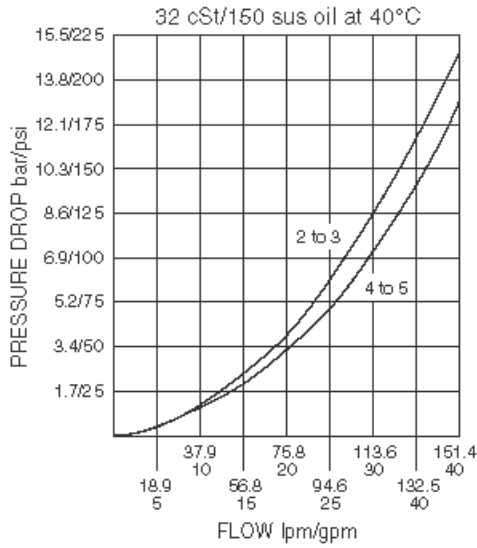
Maximum internal leakage 164 ml/min (10 in³/min) - **Note:** At 207 bar (3000 psi)

Properties

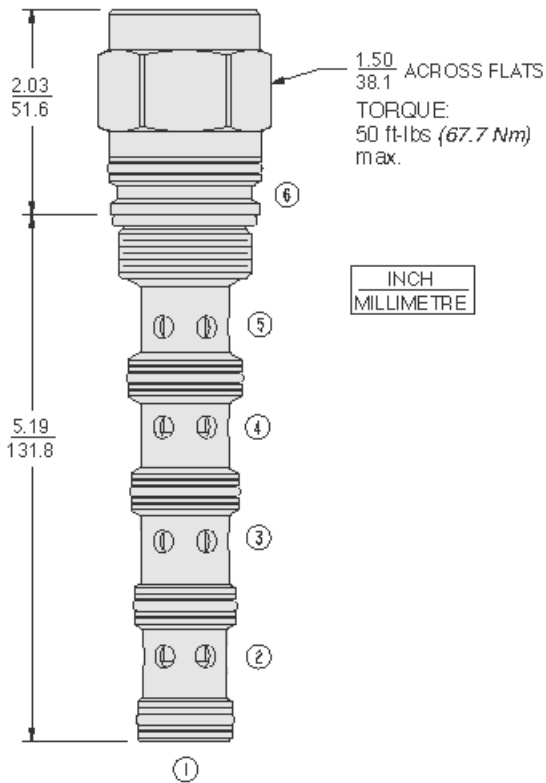
Materials	Steel with work surfaces hardened, external surfaces are zinc plated, buna N o-rings are standard
Unit weight	0.75 kg (1.66 lb)



Performance



Dimensions



Installation Specifications

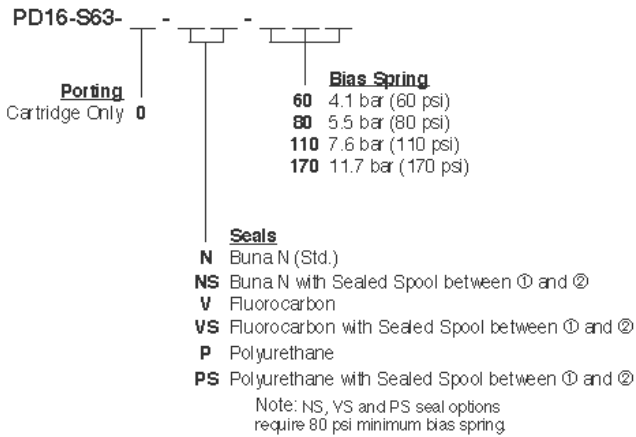
Cartridge installation torque 62.4 to 73.2 N-m (46 to 54 ft-lb)

Accessories

Seal kit SK16-6X-BMMMM



Order Code



Model Options

PD16-S63-H-J-R

H Line Body

CODE	DESCRIPTION
0	No Body

J Seal

CODE	DESCRIPTION
N	Buna-N
NS	Buna-N with a Sealed Spool
V	Fluorocarbon
VS	Fluorocarbon with a Sealed Spool
P	Polyurethane
PS	Polyurethane with a Sealed Spool
U	PPDI Urethane
US	PPDI Urethane with a Sealed Spool

R Spring

CODE	DESCRIPTION
60	60 psi Bias Spring
80	80 psi Bias Spring
110	110 psi Bias Spring
170	170 psi Bias Spring