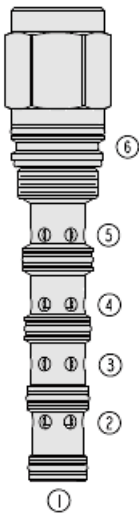




## Overview



### Description

The PD16-S67C is a screw-in, cartridge style, pilot operated, spool-type, hydraulic directional valve.

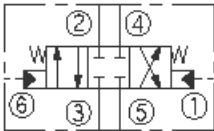
### Operation

In the neutral position all ports are blocked. On remote pilot signal at port 1 the valve's spool shifts to allow flow between ports 3 and 4, and between ports 2 and 5. On remote pilot signal at port 6 the valve's spool shifts to allow flow between ports 3 and 2, and between ports 4 and 5.

### Features

- Hardened spool and cage for long life. Optional sealed spool between ports 1 and 2.

### Symbol



## Ratings

### Pressure Ratings

Pressure rating 241 bar (3500 psi)

### Flow Ratings

Flow rating 94.6 lpm (25 gpm)

Maximum internal leakage 164 ml/min (10 in<sup>3</sup>/min) - **Note:** At 241 bar (3500 psi)

### Temperature Ratings

Operating fluid temperature	-40 to 100 °C (-40 to 212 °F)	- <b>Note:</b> With buna N seals
	-26 to 204 °C (-15 to 400 °F)	- <b>Note:</b> With fluorocarbon seals
	-54 to 107 °C (-65 to 225 °F)	- <b>Note:</b> With polyurethane seals
Storage temperature	-40 to 70 °C (-40 to 160 °F)	
Ambient temperature	-40 to 90 °C (-40 to 194 °F)	

## Operating Parameters

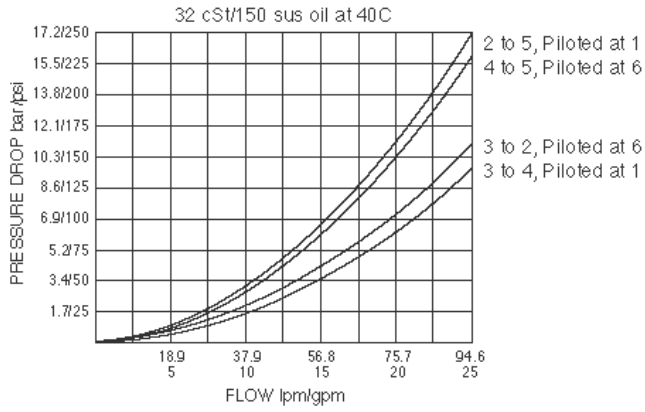
Fluids	Mineral based or synthetic hydraulic fluid with lubricating properties
Fluid viscosity range	7.4 to 420 cSt
Maximum operating contamination level	20/18/14 per ISO 4406

## Properties

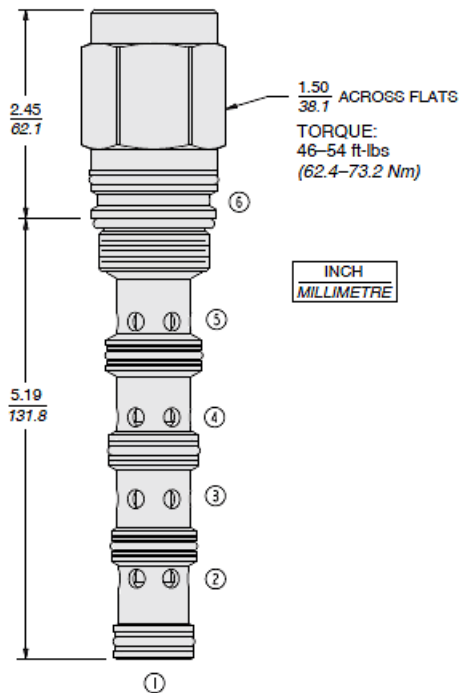
Unit weight	0.84 kg (1.86 lb)
Internal wetted surface area	644 cm <sup>2</sup> (99.9 in <sup>2</sup> )



## Performance



## Dimensions



## Installation Specifications

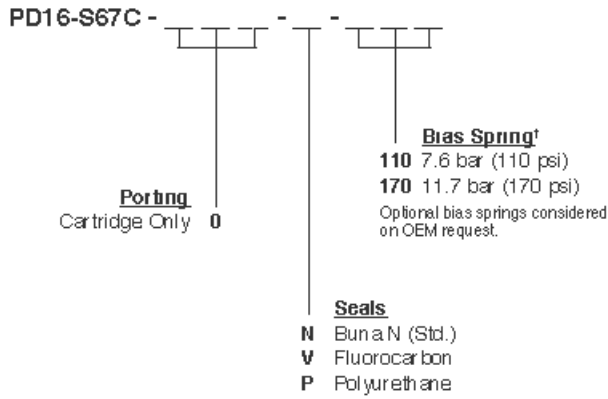
Cavity	VC16-S6
Cartridge installation torque	62.4 to 73.2 N-m (46 to 54 ft-lb)
Maximum allowable torque	136 N-m (100 ft-lb)
Orientation restriction	None

## Accessories

Seal kit	SK16-S6X-BMMMM	- <b>Note:</b> X= seal option
----------	----------------	-------------------------------



**Order Code**



**Model Options**

**PD16-S67C-H-J-R**

**H Line Body**

CODE	DESCRIPTION
0	No Body

**J Seal**

CODE	DESCRIPTION
N	Buna-N
NS	Buna-N with a Sealed Spool
V	Fluorocarbon
VS	Fluorocarbon with a Sealed Spool
P	Polyurethane
PS	Polyurethane with a Sealed Spool
U	PPDI Urethane
US	PPDI Urethane with a Sealed Spool

**R Spring**

CODE	DESCRIPTION
110	110 psi Bias Spring
170	170 psi Bias Spring