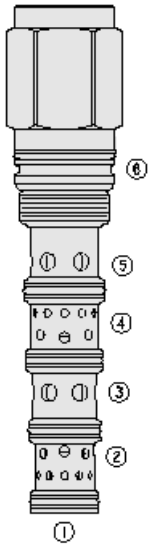




Overview



Description

The PE42-S67D is a screw-in, cartridge-style, proportional, spring centered spool type, pilot operated hydraulic directional valve.

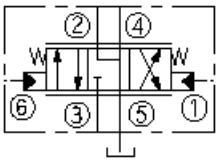
Operation

In neutral position inlet port 3 is blocked and ports 2, 4 and 5 are communicating with each other. On remote pilot signal at port 1 the valve's spool shifts proportionally to the applied pilot pressure to allow flow from port 3 to port 4, thru a load, such as hydraulic cylinder or motor, and then from port 2 to port 5 and to tank. On remote pilot signal at port 6 the valve's spool shifts proportionally to the applied pressure in opposite direction thus reversing the flow direction. The valve's spool is symmetrical providing meter-in and meter-out control.

Features

- Hardened spool and cage for long life. Cost-effective ISO cavity. Excellent metering characteristics. Good Linearity.

Symbol



Ratings

Pressure Ratings

Pressure rating	345 bar (5000 psi)	- Note: Port 3
	241 bar (3500 psi)	- Note: Ports 2, 4
	27.6 bar (400 psi)	- Note: Ports 1, 6

Flow Ratings

Flow rating	170 lpm (45 gpm)	
Maximum internal leakage	737 ml/min (45 in ³ /min)	- Note: At 207 bar (3000 psi)

Temperature Ratings

Operating fluid temperature	-40 to 100 °C (-40 to 212 °F)	- Note: With buna N seals
	-26 to 204 °C (-15 to 400 °F)	- Note: With fluorocarbon seals
	-54 to 107 °C (-65 to 225 °F)	- Note: With polyurethane seals
Storage temperature	-40 to 70 °C (-40 to 160 °F)	
Ambient temperature	-40 to 90 °C (-40 to 194 °F)	

Operating Parameters

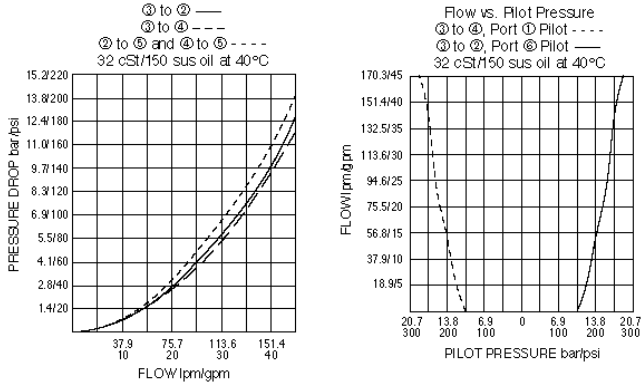
Fluids	Mineral based or synthetic hydraulic fluid with lubricating properties	
Fluid viscosity range	7.4 to 420 cSt	
Maximum operating contamination level	18/16/13 per ISO 4406	

Properties

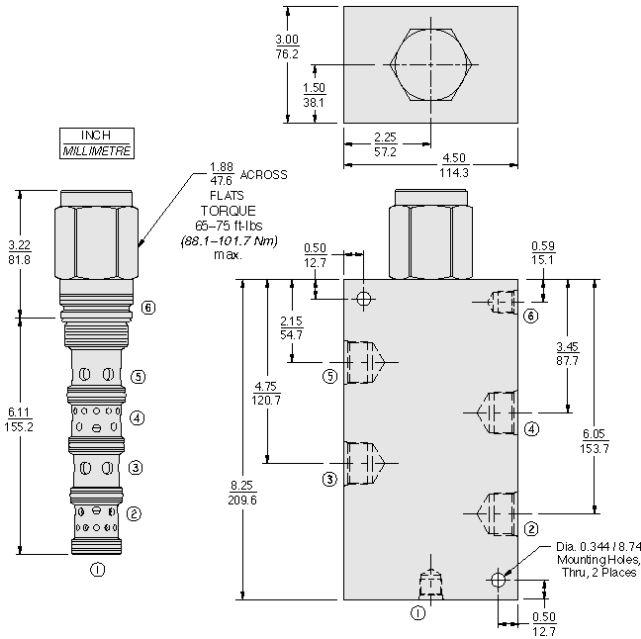
Displacement per stroke	3.46 cm ³ (0.211 in ³)	- Note: per stroke direction
Unit weight	1.7 kg (3.8 lb)	
Internal wetted surface area	1016 cm ² (157.5 in ²)	



Performance



Dimensions



Installation Specifications

Cavity	VC42-S6
Cartridge installation torque	88.1 to 101.7 N-m (65 to 75 ft-lb)
Maximum allowable torque	189.8 N-m (140 ft-lb)
Orientation restriction	None

Accessories

Seal kit	SK42-S6X-BMMMM	- Note: X = seal option
----------	----------------	-------------------------



Order Code

PE42-S67D - -

- Porting**
- Cartridge Only **0**
 - SAE 12 **12TD**
 - SAE 16 **16TD**
 - SAE 20 **20TD**
 - *3/4 in. BSP **6BD**
 - *1 in. BSP **8BD**
 - *1-1/4 in. BSP **10BD**
- *BSP Body; U.K. Mfr. Only

- Seals**
- N** Buna-N (Std.)
 - P** Polyurethane (Required for pressures over 240 bar/3500 psi)
 - V** Fluorocarbon

Model Options

PE42-S67D-H-J

H Line Body

CODE	DESCRIPTION
0	No Body
20TD	Ductile Iron SAE 20

J Seal

CODE	DESCRIPTION
N	Buna-N
V	Fluorocarbon
P	Polyurethane
U	PPDI Urethane