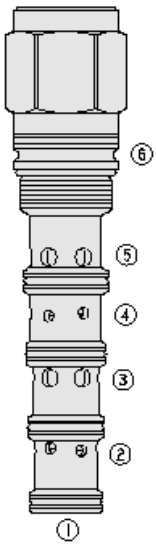




Overview



Description

The PE42-S67H is a screw-in, cartridge style, proportional, spring centered spool, pilot operated hydraulic directional valve.

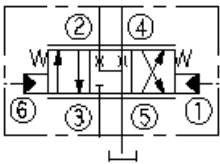
Operation

In neutral position inlet port 3 is blocked and ports 2, 4 and 5 are communicating with each other. On remote pilot signal at port 1 the valve's spool shifts proportionally to the applied pilot pressure to allow flow from port 3 to port 4, thru a load, such as hydraulic cylinder or motor, and then from port 2 to port 5 and to tank. On remote pilot signal at port 6 the valve's spool shifts proportionally to the applied pressure in opposite direction thus reversing the flow direction. The valve's spool is symmetrical providing only meter-in control.

Features

- Hardened spool and cage for long life.
- Cost-effective ISO cavity.
- Excellent metering characteristics.
- Good Linearity.

Symbol



Ratings

Pressure Ratings

Pressure rating	345 bar (5000 psi)	- Note: For port 3
	241 bar (3500 psi)	- Note: For ports 2 and 4
	27.6 bar (400 psi)	- Note: For ports 1 and 6
Note	Polyurethane seals are recommended for 345 bar (5000 psi) inlet pressure operation. Available aluminum bodies for this product are rated 241 bar (3500 psi)	

Flow Ratings

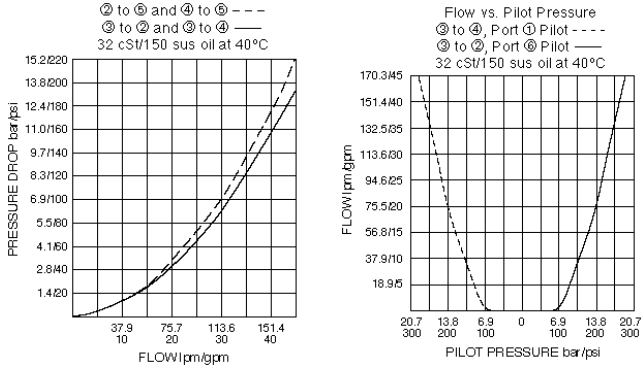
Maximum internal leakage	1180 ml/min (72 in ³ /min)	- Note: At 207 bar (3000 psi)
Note	Orifice diameter between ports 2 and 4 and port 5 in neutral position 76 mm (0.030 in)	

Properties

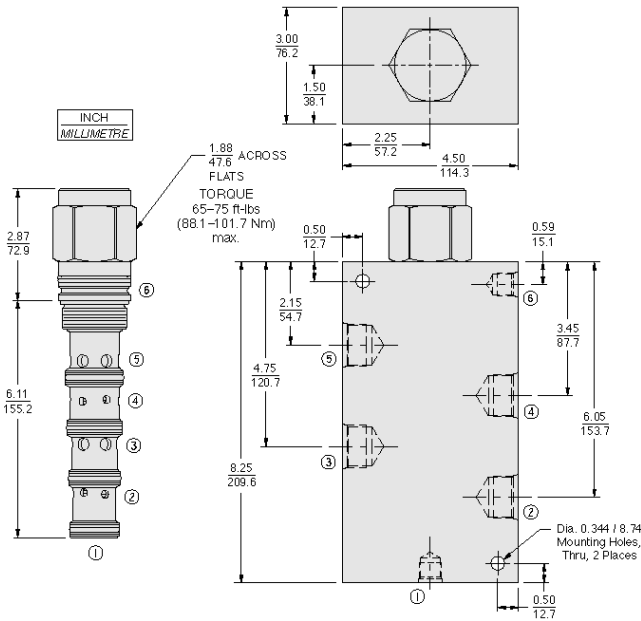
Displacement per stroke	2.46 cm ³ (0.15 in ³)	- Note: per stroke direction
Materials	Steel with work surfaces hardened, external surfaces are zinc plated buna N o-rings are standard	
Unit weight	0.76 kg (1.68 lb)	



Performance



Dimensions



Installation Specifications

Cavity	VC42-S6
Cartridge installation torque	88.1 to 101.7 N-m (65 to 75 ft-lb)

Accessories

Seal kit	SK42-S6N-BMMMM	- Note: Buna N
	SK42-S6V-BMMMM	- Note: Viton
	SK42-S6P-BMMMM	- Note: Polyurethane



Order Code

PE42-S67H - -

Porting
Cartridge Only

0
SAE 12 **12TD**
SAE 16 **16TD**
SAE 20 **20TD**
3/4 in. BSP **6BD**
1 in. BSP **8BD**
1-1/4 in. BSP **10BD**
*BSP Body; U.K. Mfr. Only

Seals

N Buna N (Std.)
P Polyurethane (Required for pressures over 240 bar/3500 psi)
V Fluorocarbon

Model Options

PE42-S67H-H-J

H Line Body

CODE	DESCRIPTION
0	No Body
20TD	Ductile Iron SAE 20

J Seal

CODE	DESCRIPTION
N	Buna-N
V	Fluorocarbon
P	Polyurethane
U	PPDI Urethane