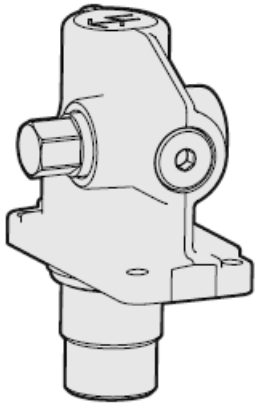




## Overview



### Description

The PE/HPE-X is a manual operator for use with proportional pilot operated hydraulic directional valves.

### Operation

The PE/HPE-X allows to operate the valve manually in both directions by rotating its handle. When the handle is rotated it engages the spool and allows to move it for its full stroke. the handle can be oriented 360° in 20° increments.

### Features

- Handle operation is disengaged when valve is being piloted hydraulically
- Use with your handle/linkage or HydraForce supplied handle (sold separately)
- Can be ordered for left or right side handle placement

## Ratings

### Pressure Ratings

Pressure rating	34.5 bar (500 psi)
Burst pressure	103 bar (1500 psi)

### Temperature Ratings

Operating fluid temperature	-26 to 204 °C (-15 to 400 °F)
Storage temperature	-40 to 70 °C (-40 to 160 °F)
Ambient temperature	-40 to 70 °C (-40 to 160 °F)
Cycle life	100000 cycles

## Operating Parameters

### Fluids

Fluids	Mineral based or synthetic hydraulic fluid with lubricating properties.
Fluid viscosity range	7.4 TO 420 cSt
Maximum operating contamination level	18/16/13 PER ISO 4406

### Operation

Operation torque	8.8 N-m (6.5 ft-lb)	- <b>Note:</b> PE12-S67XM
	12.2 N-m (9 ft-lb)	- <b>Note:</b> PE16-S67XM
	12.2N-m (9 ft-lb)	- <b>Note:</b> HPE16-S67XM
	19.7 N-m (14.5 ft-lb)	- <b>Note:</b> PE42-S67XM
	19.7 N-m (14.5 ft-lb)	- <b>Note:</b> HPE42-S67XM
Deflection angle	17° (max)	- <b>Note:</b> PE12-S67XM
	20° (max)	- <b>Note:</b> PE16-S67XM
	20° (max)	- <b>Note:</b> HPE16-S67XM
	31° (max)	- <b>Note:</b> PE42-S67XM
	31° (max)	- <b>Note:</b> HPE42-S67XM

## Properties

Unit weight	0.41 kg (0.91 lb)
Internal wetted surface area	281 cm <sup>2</sup> (43.5 in <sup>2</sup> )

## Accessories

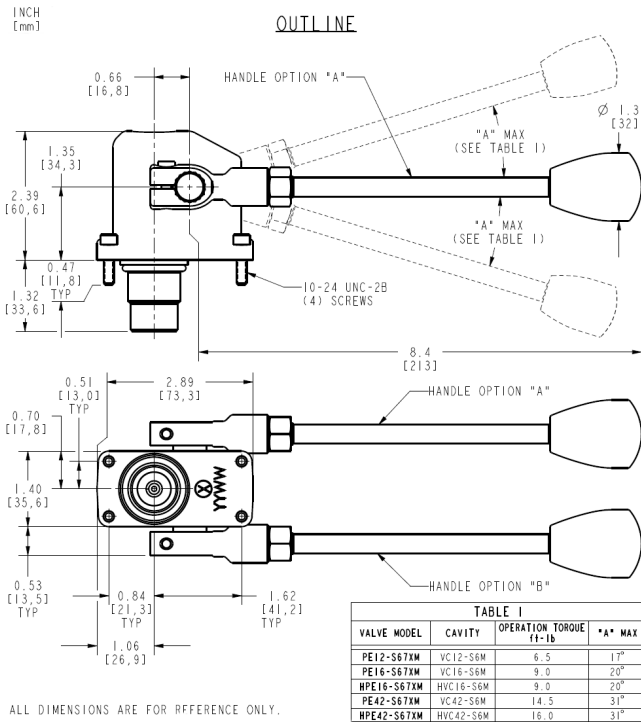
Seal kit	O-ring P/N: 6004912
Handle	P/N: 4213260 - <b>Note:</b> Sold separately



## Installation Specifications

Cavity	VC12-S6M	- <b>Note:</b> PE12-S67XM
	VC16-S6M	- <b>Note:</b> PE16-S67XM
	HVC16-S6M	- <b>Note:</b> HPE16-S67XM
	VC42-S6M	- <b>Note:</b> PE42-S67XM
	HVC42-S6M	- <b>Note:</b> HPE42-S67XM
Screw installation torque	3.3-4.0 N-m (30-36 in-lb)	- <b>Note:</b> Gradually tighten (4) screws in criss-cross pattern
Orientation restriction	None	

## Dimensions



## Ordering Information

### ORDERING INFORMATION:

PE/HPE-X

HANDLE OPTION:

A - HF P/N 5263797

B - HF P/N 5263797.B

POSITION	CODE	DESCRIPTION
		PE/HPE-X
X		Handle Option
X	A	Handle Position A (HydraForce P/N: 5263797)
X	B	Handle Position B (HydraForce P/N: 5263797.B)