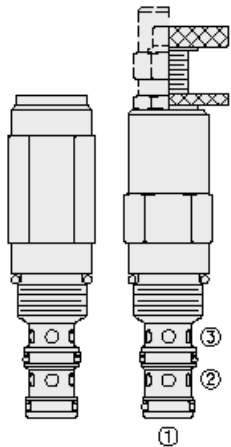




Overview



Description

The PS10-30X is a screw in, cartridge style, direct acting, spool type, hydraulic sequence valve with internal pilot and spring chamber drain. It is designed to direct flow to a secondary circuit once a predetermined pressure is attained in the primary circuit.

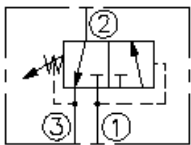
Operation

In its steady state, the PS10-30X blocks flow at port 1, while allowing flow from port 2 to port 3. On attainment of a predetermined pressure at port 1, the valve shifts port 1 opens to port 2, port 3 closes.

Features

- Adjustments cannot be backed out of the valve.
- Adjustments prohibit springs from going solid.
- Optional spring ranges to 144.8 bar (2100 psi).
- Hardened spool and cage for long life.
- Industry-common size.

Symbol



Ratings

Pressure Ratings

Pressure rating	206.8 bar (3000 psi)	- Note: Ports 1, 2
	68.9 bar (1000 psi)	- Note: Port 3
Proof pressure	517.1 bar (7000 psi)	- Note: Ports 1, 2
	103.4 bar (1500 psi)	- Note: Port 3
Burst pressure	965.3 bar (14000 psi)	
Crack pressure defined	Pressure evident at 0.95 lpm (0.25 gpm) attained port 1 to port 2	

Flow Ratings

Flow rating	37.9 lpm (10 gpm)	
Maximum internal leakage	82 ml/min (5 in ³ /min)	- Note: Port 2 to 3 at \hat{I} "P 206.8 bar (3000 psi)

Temperature Ratings

Operating fluid temperature	-40 to 100 °C (-40 to 212 °F)	- Note: With buna N seals
	-26 to 204 °C (-15 to 400 °F)	- Note: With viton seals
Storage temperature	-40 to 70 °C (-40 to 160 °F)	
Ambient temperature	-40 to 70 °C (-40 to 160 °F)	

Operating Parameters

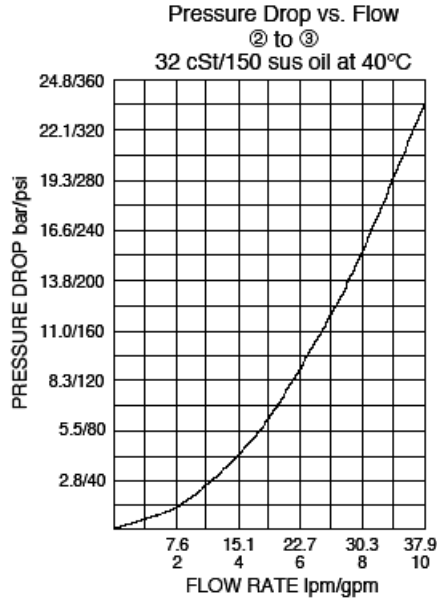
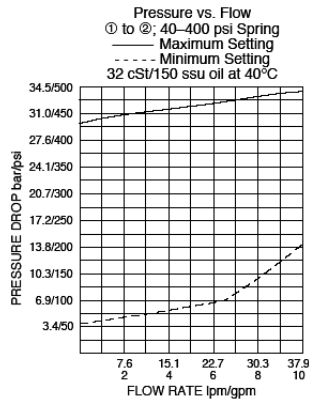
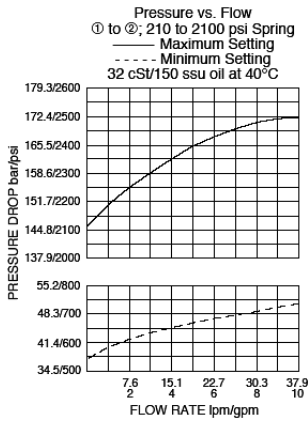
Fluids	Mineral based or synthetic with lubricating properties	
Fluid viscosity range	7.4 to 420 cSt	
Maximum operating contamination level	18/16/13 per ISO 4406	

Properties

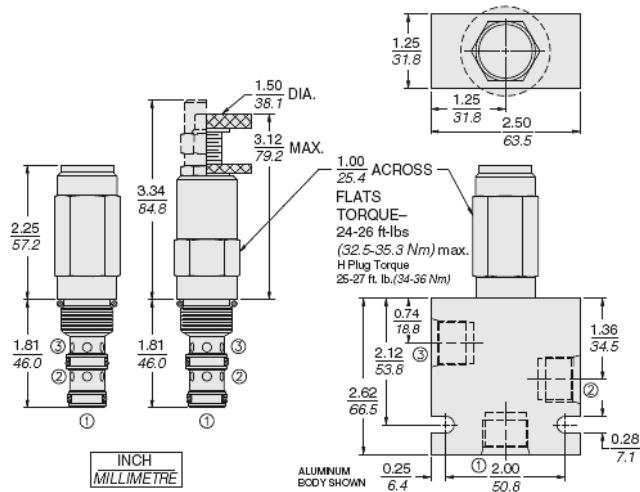
Unit weight	0.25 kg (0.55 lb)	- Note: PS10-30A
	0.29 kg (0.65 lb)	- Note: PS10-30C PS10-30L
	0.27 kg (0.60 lb)	- Note: PS10-30B
	0.24 kg (0.54 lb)	- Note: PS10-30F PS10-30H
Internal wetted surface area	143 cm ² (22.1 in ²)	- Note: PS10-30A PS10-30B PS10-30C PS10-30L
	158 cm ² (24.5 in ²)	- Note: PS10-30F PS10-30H



Performance



Dimensions



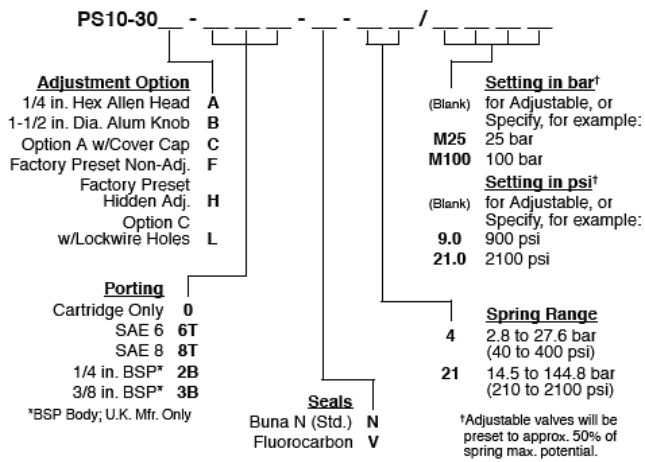
Installation Specifications

Cavity	VC10-3
Cartridge installation torque	32.5 to 35.3 N-m (24 to 26 ft-lb)
H style plug torque	33.9 N-m (25 ft-lb)
Orientation restriction	None

Accessories

Seal kit	SK10-3X-BB	- Note: X=seal options
----------	------------	------------------------

Order Code



Model Options

PS10-30F-H-J-R/S

F Adjustment Option

CODE	DESCRIPTION
A	1/4" Hex Allen Head
B	1-1/2" Diameter Aluminum Knob with Aluminum Lock Knob
C	1/4" Hex Allen Head with Cover Cap
F	Factory Preset Non-Adjustable
H	Factory Preset Hidden Adjustment
L	1/4" Hex Allen Head with Cover Cap and Lockwire Holes

H Line Body

CODE	DESCRIPTION
0	No Body
6T	Aluminum SAE 6
8T	Aluminum SAE 8
6TD	Ductile Iron SAE 6
8TD	Ductile Iron SAE 8
3B	Aluminum BSPP 3/8" (3)
3BD	Ductile Iron BSPP 3/8" (3)

J Seal

CODE	DESCRIPTION
N	Buna-N
V	Fluorocarbon
P	Polyurethane
U	PPDI Urethane

R Spring

CODE	DESCRIPTION
04	2.8 to 27.6 bar (40 to 400 psi) Spring Range
08	9 to 55.2 bar (130 to 800 psi) Spring Range
15	11 to 103.4 bar (160 to 1500 psi) Spring Range
21	13.8 to 144.8 bar (200 to 2100 psi) Spring Range

S Setting



CODE	DESCRIPTION
MXXX	Spring Setting in XXX bar
XX	Spring Setting in XX psi (x 100)