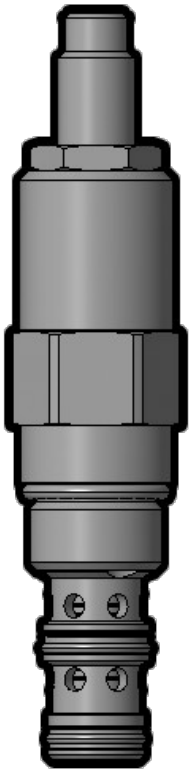




## Overview



### Description

The PS10-36X is a screw-in, cartridge style, pilot operated, spool type, hydraulic sequence valve with internal pilot and external spring chamber drain.

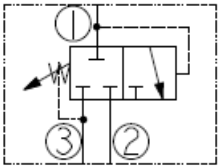
### Operation

In its steady state, the PS10-36X blocks flow from port 1 to port 2, with the spring chamber drained at port 3. On attainment of a predetermined pressure at port 1, the cartridge shifts to open port 1 to port 2. The valve will remain shifted until the pressure in the circuit falls below the pressure setting. Note that the back pressure on port 3 adds to the spring setting value.

### Features

- Adjustments cannot be backed out of the valve.
- Adjustments prohibit springs from going solid.
- Optional spring ranges to 144.8 bar (2100 psi).
- Hardened spool and cage for long life.
- Industry-common size.

## Symbol





## Ratings

### Pressure Ratings

Pressure rating	344.7 bar (5000 psi) 241.3 bar (3500 psi) 68.9 bar (1000 psi)	- <b>Note:</b> At port 1 - <b>Note:</b> At port 2 - <b>Note:</b> At port 3
Proof pressure	482.6 bar (7000 psi) 482.6 bar (7000 psi) 103.4 bar (1500 psi)	- <b>Note:</b> At port 1 - <b>Note:</b> At port 2 - <b>Note:</b> At port 3
Burst pressure	1034 bar (15000 psi)	
Crack pressure defined	Pressure evident at 0.95 lpm (0.25 gpm) attained port 1 to port 2	

### Flow Ratings

Flow rating	56.8 lpm (15 gpm)	
Maximum internal leakage	82 ml/min (5 in <sup>3</sup> /min)	- <b>Note:</b> At port 3, to 85% of nominal setting

### Temperature Ratings

Operating fluid temperature	-40 to 100 °C (-40 to 212 °F)	- <b>Note:</b> With Buna N seals
	-26 to 204 °C (-15 to 400 °F)	- <b>Note:</b> With fluorocarbon seals
	-54 to 107 °C (-65 to 225 °F)	- <b>Note:</b> With polyurethane and urethane seals
Storage temperature	-40 to 70 °C (-40 to 160 °F)	
Ambient temperature	-40 to 70 °C (-40 to 160 °F)	

### Other Ratings

Corrosion protection	PS10-36X - Type III clear zinc plating per astm B633, GPS10-36X - 960 hour salt spray per ASTM B117	
----------------------	---	--

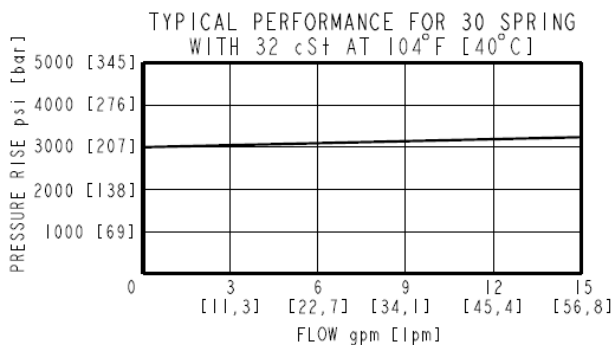
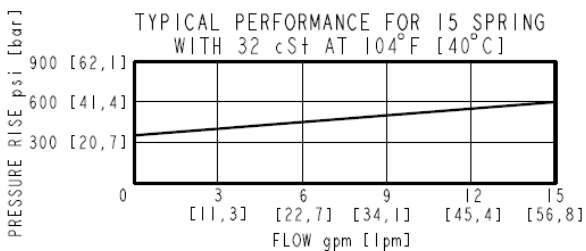
## Operating Parameters

Fluids	Mineral based or synthetic with lubricating properties	
Fluid viscosity range	7.4 to 420 cSt	
Maximum operating contamination level	18/16/13 per ISO 4406	

## Properties

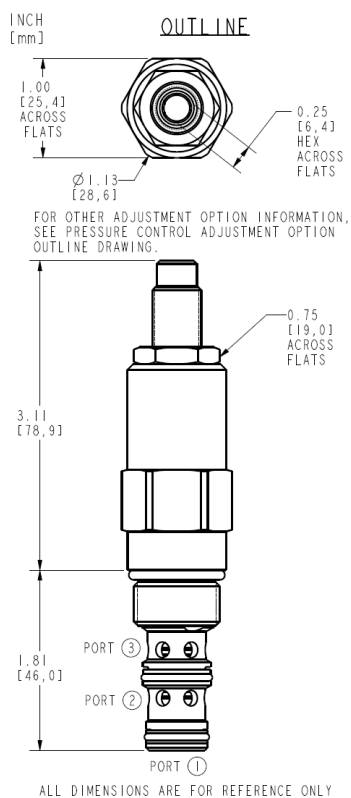
Unit weight	0.259 kg (0.57 lb)	- <b>Note:</b> PS10-36A
	0.281 kg (0.62 lb)	- <b>Note:</b> PS10-36B
	0.299 kg (0.66 lb)	- <b>Note:</b> PS10-36C PS10-36L
	0.249 kg (0.55 lb)	- <b>Note:</b> PS10-36F
	0.245 kg (0.54 lb)	- <b>Note:</b> PS10-36H
Internal wetted surface area	161 cm <sup>2</sup> (25 in <sup>2</sup> )	- <b>Note:</b> PS10-36A PS10-36B PS10-36C PS10-36L
	181 cm <sup>2</sup> (28 in <sup>2</sup> )	- <b>Note:</b> PS10-36F PS10-36H
Pressure change per adjuster turn	3.8 bar (54.54 psi)	- <b>Note:</b> A Adaptor Code 04
	16.0 bar (231.63 psi)	- <b>Note:</b> A Adaptor Code 15
	27.8 bar (402.72 psi)	- <b>Note:</b> A Adaptor Code 30
	47.3 bar (685.41 psi)	- <b>Note:</b> A Adaptor Code 50
	4.7 bar (68.17 psi)	- <b>Note:</b> H adaptor Code 04
	20.0 bar (289.54 psi)	- <b>Note:</b> H adaptor Code 15
	34.7 bar (503.40 psi)	- <b>Note:</b> H adaptor Code 30
59.1 bar (856.77 psi)	- <b>Note:</b> H adaptor Code 50	

## Performance





## Dimensions



## Installation Specifications

Cavity	VC10-3
Cartridge installation torque	32.5 to 35.3 N-m (24 to 26 ft-lb)
H style plug torque	32.5 to 35.3 N-m (24 to 26 ft-lb)
Orientation restriction	None

## Accessories

Seal kit	SK10-3X-BM	- <b>Note:</b> X=seal options
----------	------------	-------------------------------

## Order Code



**ORDERING INFORMATION:**

XPS10-36X-0-X-XX/XXXX

**PROTECTION OPTIONS:**

- TYPE III ZINC PLATING - OMIT
- 960 hr PROTECTION - G

**BASE MODEL NUMBER:**

**ADJUSTMENT OPTIONS:**

- 0.25 [6,4] HEX ALLEN HEAD - A
- Ø1.50" [38,1] ALUMINUM KNOB - B
- OPTION A WITH COVER CAP - C
- FACTORY PRESET NON-ADJUSTABLE - F
- FACTORY PRESET, HIDDEN ADJUSTMENT - H
- OPTION C WITH LOCK WIRE HOLES - L

**PORTING:**

- CARTRIDGE ONLY - 0

**SEAL OPTION:**

- BUNA N - N
- FLUOROCARBON - V
- POLYURETHANE - P
- URETHANE - U

**SPRING RANGE:**

- 60-400 psi - 04
- [4,1-27,6 bar]
- 240-1500 psi - 15
- [16,5-103,4 bar]
- 460-3000 psi - 30
- [31,7-206,7 bar]
- 850-5000 psi - 50
- [58,6-344,7 bar]

**PRESSURE SETTING:**

- (IN 100 psi) FOR EXAMPLE:
- 360 psi [24,8 bar] - 03.6
- 2200 psi [151,7 bar] - 22
- (IN bar) FOR EXAMPLE:
- [55 bar] 798 psi - M55

**Model Options**

**PS10-36F-H-J-R/S**

**F Adjustment Option**

CODE	DESCRIPTION
A	1/4" Hex Allen Head
B	1-1/2" Diameter Aluminum Knob with Aluminum Lock Knob
C	1/4" Hex Allen Head with Cover Cap
F	Factory Preset Non-Adjustable
H	Factory Preset Hidden Adjustment
L	1/4" Hex Allen Head with Cover Cap and Lockwire Holes

**H Line Body**

CODE	DESCRIPTION
0	No Body
6T	Aluminum SAE 6
8T	Aluminum SAE 8
6TD	Ductile Iron SAE 6
8TD	Ductile Iron SAE 8
3B	Aluminum BSPP 3/8" (3)
3BD	Ductile Iron BSPP 3/8" (3)

**J Seal**

CODE	DESCRIPTION
N	Buna-N
V	Fluorocarbon
P	Polyurethane
U	PPDI Urethane



## R Spring

CODE	DESCRIPTION
04	4.1 to 27.6 bar (60 to 400 psi) Spring Range
15	16.5 to 103.4 bar (240 to 1500 psi) Spring Range
30	31.7 to 206.9 bar (460 to 3000 psi) Spring Range

## S Setting

CODE	DESCRIPTION
MXXX	Spring Setting in XXX bar
XX	Spring Setting in XX psi (x 100)