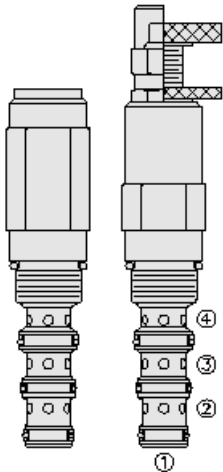




Overview



Description

The PS10-41X is a spool-type, direct-acting, adjustable, normally open, hydraulic sequence valve with external pilot and spring chamber drain.

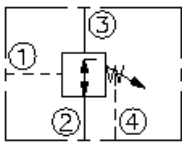
Operation

The PS10-41X is designed to block flow between port 2 and port 3 once a predetermined pilot pressure is attained in a circuit. The valve will remain shifted until the pressure in the circuit falls below the pressure setting or spring chamber pressure added to the valve exceeds pilot pressure.

Features

- Adjustments cannot be backed out of the valve.
- Adjustments prohibit springs from going solid.
- Optional spring ranges to 151.7 bar (2200 psi).
- Hardened precision spool and cage for long life.
- Industry-common size.

Symbol



Ratings

Pressure Ratings

Pressure rating	206.8 bar (3000 psi)	- Note: Ports 1, 2, 3
	68.9 bar (1000 psi)	- Note: Port 4
Proof pressure	482.6 bar (7000 psi)	
Burst pressure	965.3 bar (14000 psi)	

Flow Ratings

Flow rating	37.8 lpm (10 gpm)	
Maximum internal leakage	82 ml/min (5 in ³ /min) nominal setting	- Note: Max to 85% of pressure setting max to 85% of

Temperature Ratings

Operating fluid temperature	-40 to 100 °C (-40 to 212 °F)	- Note: With buna N seals
	-26 to 204 °C (-15 to 400 °F)	- Note: With fluorocarbon seals
	-54 to 107 °C (-65 to 225 °F)	- Note: With polyurethane seals with urethane seals
Storage temperature	-40 to 70 °C (-40 to 160 °F)	
Ambient temperature	-40 to 70 °C (-40 to 160 °F)	

Operating Parameters

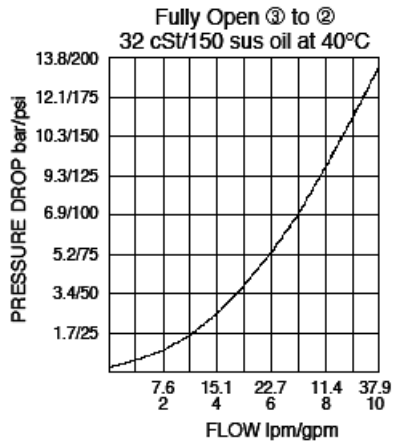
Fluids	Mineral based or synthetic hydraulic fluid with lubricating properties
Fluid viscosity range	7.4 to 420 cSt
Maximum operating contamination level	20/18/14 per ISO 4406

Properties

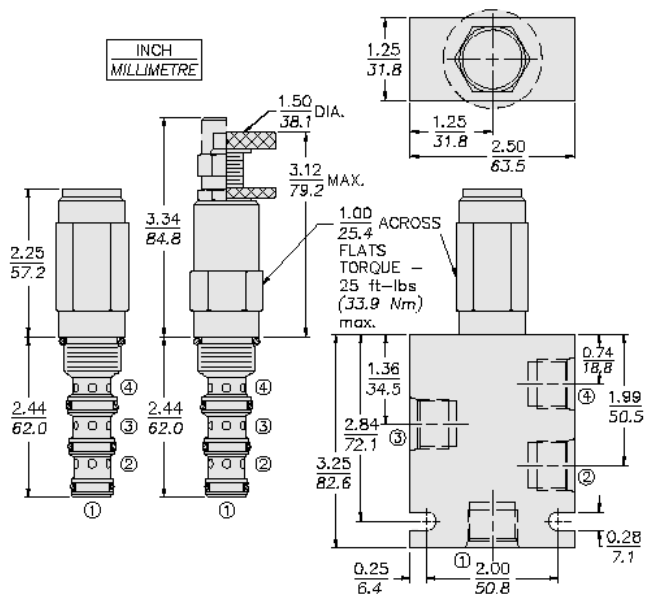
Unit weight	0.28 kg (0.61 lb)	- Note: PS10-41A
	0.30 kg (0.67 lb)	- Note: PS10-40B
	0.32 kg (0.71 lb)	- Note: PS10-41C PS10-41L
	0.27 kg (0.60 lb)	- Note: PS10-41F PS10-41H
Internal wetted surface area	185 cm ² (28.6 in ²)	- Note: PS10-41A PS10-41B PS10-41C PS10-41L
	203 cm ² (31.5 in ²)	- Note: PS10-41F PS10-41H



Performance



Dimensions



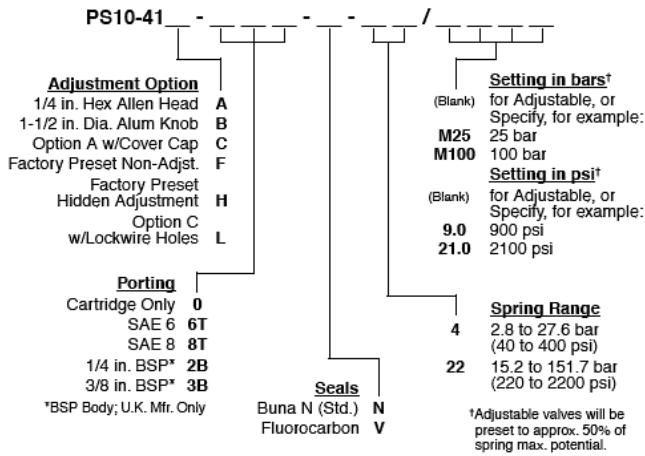
Installation Specifications

Cavity	VC10-4	
H style plug torque	10.8 to 13.6 N-m (8 to 10 ft-lb)	- Note: Max.)
Cartridge installation torque	32.5 to 35.3 N-m (24 to 26 ft-lb)	
Orientation restriction	None	

Accessories

Seal kit	SK10-4X-BMM SK10-4U-OOO	- Note: X = n, v, P
----------	----------------------------	---------------------

Order Code



Model Options

PS10-41F-H-J-R/S

F Adjustment Option

CODE	DESCRIPTION
A	1/4" Hex Allen Head
B	1-1/2" Diameter Aluminum Knob with Aluminum Lock Knob
C	1/4" Hex Allen Head with Cover Cap
F	Factory Preset Non-Adjustable
H	Factory Preset Hidden Adjustment
L	1/4" Hex Allen Head with Cover Cap and Lockwire Holes

H Line Body

CODE	DESCRIPTION
0	No Body
6T	Aluminum SAE 6
8T	Aluminum SAE 8
6TD	Ductile Iron SAE 6

J Seal

CODE	DESCRIPTION
N	Buna-N
V	Fluorocarbon
P	Polyurethane
U	PPDI Urethane

R Spring

CODE	DESCRIPTION
04	2.8 to 27.6 bar (40 to 400 psi) Spring Range
08	5.5 to 55.2 bar (80 to 800 psi) Spring Range
22	15.2 to 151.7 bar (220 to 2200 psi) Spring Range

S Setting

CODE	DESCRIPTION
MXXX	Spring Setting in XXX bar
XX	Spring Setting in XX psi (x 100)