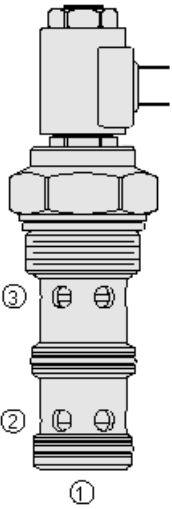




Overview



Description

The pv42-m30xx is a solenoid operated, spool type, normally closed proportional priority flow regulator with pressure compensated regulated and bypass flow.

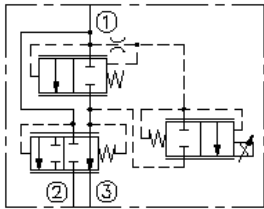
Operation

The regulated flow is proportional to electric current applied to the solenoid. The valve is intended for use in mineral based or synthetic hydraulic fluids with lubricating properties.

Features

- Choice of two regulated flow ranges.
- Excellent linearity and hysteresis characteristics.
- Hardened spool and cage for long life.
- Optional coil voltages and terminations.
- Efficient wet-armature construction.
- Manual Override option.

Symbol



Ratings

Pressure Ratings

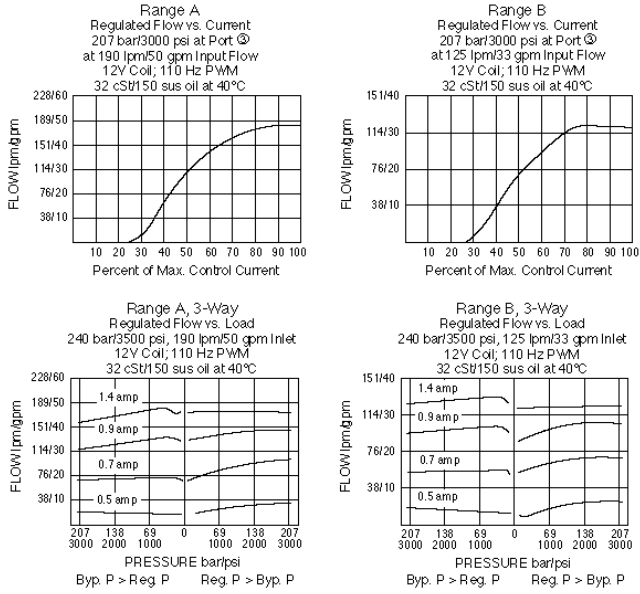
Pressure rating 241 bar (3500 psi)

Flow Ratings

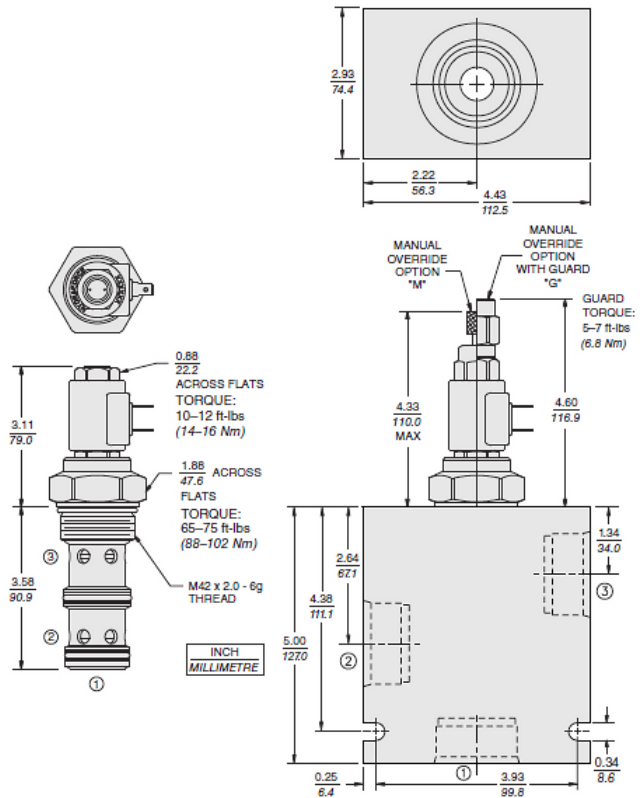
Inlet flow rating	170 to 225 lpm (45.0 to 60.0 gpm)	- Note: Flow range A
	112 to 225 lpm (30.0 to 60.0 gpm)	- Note: Flow range b
Flow rating	190 lpm (50.0 gpm)	- Note: Maximum, flow range A
	132 lpm (35 gpm)	- Note: Maximum, flow range b
Maximum internal leakage	190 lpm (0.40 gpm)	- Note: At zero current



Performance



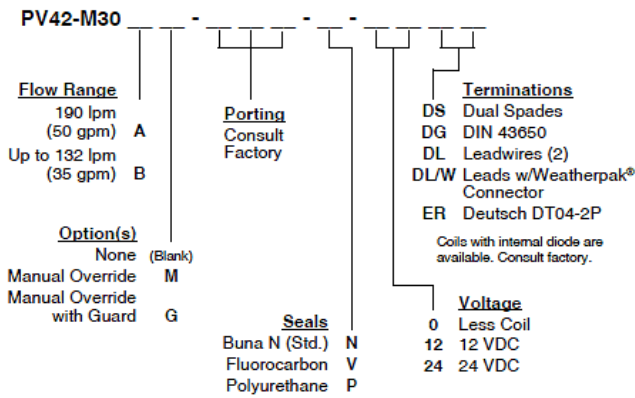
Dimensions



Installation Specifications

Cavity **VC42-M3**

Order Code



Model Options

PV42-M30DE-H-J-L

D Max Regulated Flow

CODE	DESCRIPTION
A	189.3 lpm (50.0 gpm) Max Regulated Flow
B	132.5 lpm (35.0 gpm) Max Regulated Flow

E Manual Override

CODE	DESCRIPTION
BLANK	NONE
G	Variable Position Override, Red Knurled Knob with Cover Cap
M	Variable Position Override, Red Knurled Knob

H Line Body

CODE	DESCRIPTION
0	No Body
20T	Aluminum SAE 20
20TD	Ductile Iron SAE 20

J Seal

CODE	DESCRIPTION
N	Buna-N
V	Fluorocarbon
P	Polyurethane
U	PPDI Urethane

L Coil

CODE	DESCRIPTION
0	No Coil
12DG	12 VDC, D-Coil, DIN 43650
12ER	12 VDC, E-Coil, Deutsch
12EY	12 VDC, E-Coil, Metri-Pack 150
24DG	24 VDC, D-Coil, DIN 43650
24DL	24 VDC, D-Coil, Dual Lead Wires
24DS	24 VDC, D-Coil, Dual Spade
24ER	24 VDC, E-Coil, Deutsch

