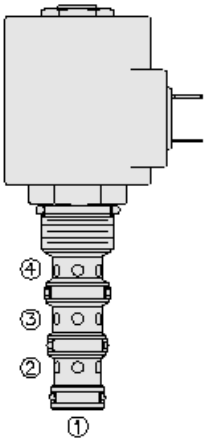




Overview



Description

The SV10-43X is a solenoid operated, 4 way, 2 position, direct acting, spool type, screw-in hydraulic cartridge valve.

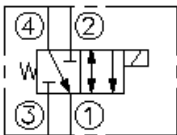
Operation

When de-energized, the SV10-43X allows flow from port 4 to port 1, while blocking port 3 to port 2. When energized, the spool shifts to allow flow from port 3 to port 4 and port 2 to port 1.

Features

- Continuous-duty rated coil.
- Hardened precision spool and cage for long life.
- Optional coil voltages and terminations.
- Efficient wet-armature construction.
- Cartridges are voltage interchangeable.
- All ports may be fully pressurized.
- Unitized, molded coil design.
- Manual override option.
- Optional waterproof E&C Coils rated up to IP69K.
- Industry-common cavity.

Symbol



Ratings

Flow Ratings

Flow rating 22.7 lpm (6 gpm)
Maximum internal leakage 5 in³/min - **Note:** Max at 207 bar (3000 psi)

Pressure Ratings

Pressure rating 207 bar (3000 psi)

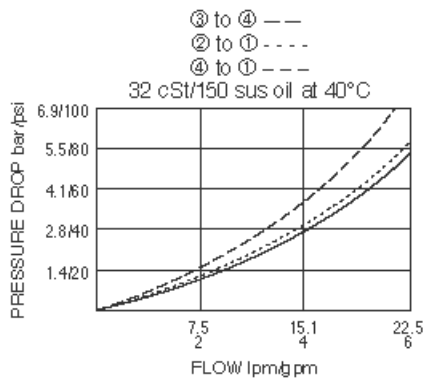
Temperature Ratings

Operating fluid temperature -40 to 120 °C (-40 to 248 °F) - **Note:** With buna N seals

Properties

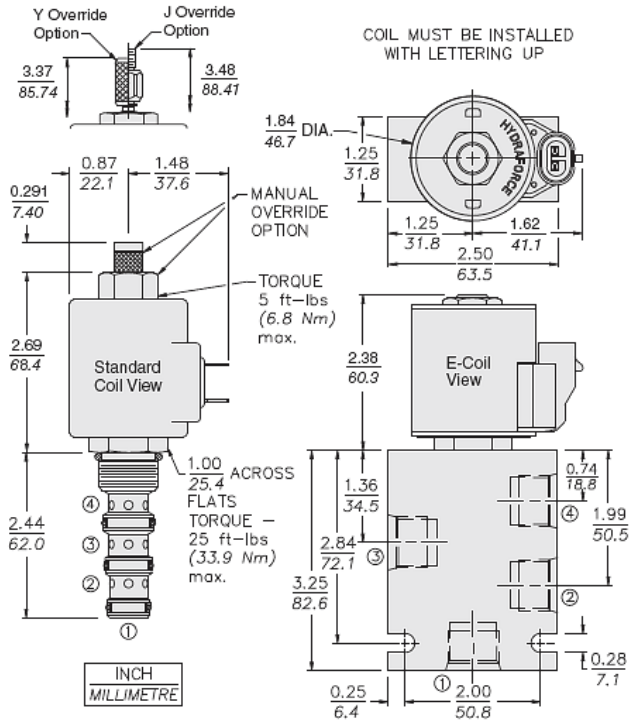
Materials steel with hardened work surfaces zinc-plated exposed

Performance





Dimensions



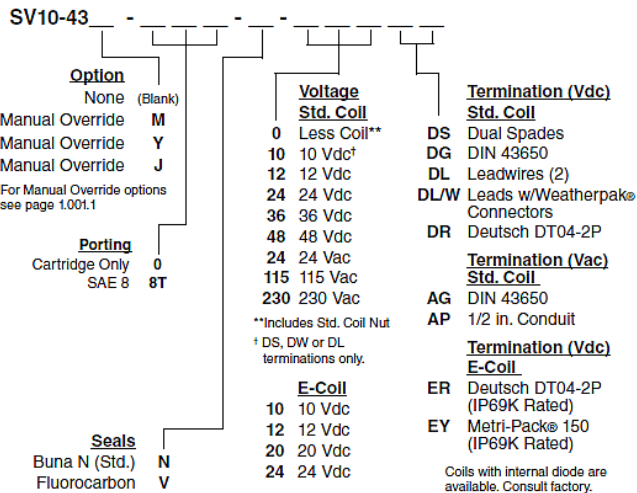
Installation Specifications

| | |
|-------------------------------|-----------------------------------|
| Cavity | VC10-4 |
| Cartridge installation torque | 32.5 to 35.3 N-m (24 to 26 ft-lb) |
| Coil nut torque | 6.8 to 9.5 N-m (5 to 7 ft-lb) |

Accessories

| | |
|----------|------------|
| Seal kit | SK10-4X-MM |
|----------|------------|

Order Code



Model Options

SV10-43E-H-J-L

E Manual Override

| CODE | DESCRIPTION |
|-------|---|
| BLANK | NONE |
| J | Momentary Pull Override, #10-32 threads |
| M | Two Position Override, Red Knurled Knob |



| CODE | DESCRIPTION |
|------|---|
| Y | Momentary Pull Override, Red Knurled Knob |

H Line Body

| CODE | DESCRIPTION |
|------|--------------------|
| 0 | No Body |
| 6T | Aluminum SAE 6 |
| 8T | Aluminum SAE 8 |
| 6TD | Ductile Iron SAE 6 |

J Seal

| CODE | DESCRIPTION |
|------|---------------|
| N | Buna-N |
| V | Fluorocarbon |
| P | Polyurethane |
| U | PPDI Urethane |

L Coil

| CODE | DESCRIPTION |
|----------|---|
| 0 | No Coil |
| 10DG | 10 VDC, D-Coil, DIN 43650 |
| 10DL | 10 VDC, D-Coil, Dual Lead Wires |
| 10DR/D | 10 VDC, D-Coil, Deutsch with Diode |
| 10DS | 10 VDC, D-Coil, Dual Spade |
| 10EL | 10 VDC, E-Coil, Dual Lead Wires |
| 10ER | 10 VDC, E-Coil, Deutsch |
| 10ER/Z | 10 VDC, E-Coil, Deutsch with Zener Diode |
| 12DG | 12 VDC, D-Coil, DIN 43650 |
| 12DL | 12 VDC, D-Coil, Dual Lead Wires, 18 inches long |
| 12DL/36 | 12 VDC, D-Coil, Dual Lead Wires, 36 inches long |
| 12DL/W | 12 VDC, D-Coil, Dual Lead Wires with Weatherpak |
| 12DL/W/D | 12 VDC, D-Coil, Dual Lead Wires with Weatherpak with Diode |
| 12DR | 12 VDC, D-Coil, Deutsch |
| 12DR/D | 12 VDC, D-Coil, Deutsch with Diode |
| 12DR/Z | 12 VDC, D-Coil, Deutsch with Zener Diode |
| 12DS | 12 VDC, D-Coil, Dual Spade |
| 12EG | 12 VDC, E-Coil, DIN 43650 |
| 12EJ | 12 VDC, E-Coil, AMP Jr. |
| 12EL | 12 VDC, E-Coil, Dual Lead Wires, 18 inches long |
| 12EL/36 | 12 VDC, E-Coil, Dual Lead Wires, 36 inches long |
| 12EL/W/Z | 12 VDC, E-Coil, Dual Lead Wires with WeatherPak and Zener Diode |
| 12EL/Z | 12 VDC, E-Coil, Dual Lead Wires with Zener Diode |
| 12ER | 12 VDC, E-Coil, Deutsch |
| 12ER/Z | 12 VDC, E-Coil, Deutsch with Zener Diode |
| 12EY | 12 VDC, E-Coil, Metri-Pack 150 |



| CODE | DESCRIPTION |
|----------|---|
| 12EY/Z | 12 VDC, E-Coil, Metri-Pack 150 with Zener Diode |
| 20DR/D | 20 VDC, D-Coil, Deutsch with Diode |
| 20DS | 20 VDC, D-Coil, Dual Spade |
| 20ER | 20 VDC, E-Coil, Deutsch |
| 24AG | 24 VDC, D-Coil, DIN 43650 |
| 24AP | 24 VDC, D-Coil, 1/2" Conduit and Dual Lead Wires |
| 24DG | 24 VDC, D-Coil, DIN 43650 |
| 24DL | 24 VDC, D-Coil, Dual Lead Wires |
| 24DL/W | 24 VDC, D-Coil, Dual Lead Wires with Weatherpak |
| 24DL/W/D | 24 VDC, D-Coil, Dual Lead Wires with Weatherpak with Diode |
| 24DP | 24 VDC, D-Coil, 1/2" Conduit and Dual Lead Wires |
| 24DR | 24 VDC, D-Coil, Deutsch |
| 24DR/D | 24 VDC, D-Coil, Deutsch with Diode |
| 24DS | 24 VDC, D-Coil, Dual Spade |
| 24EG | 24 VDC, E-Coil, DIN 43650 |
| 24EJ | 24 VDC, E-Coil, AMP Jr. |
| 24EL | 24 VDC, E-Coil, Dual Lead Wires, 18 inches long |
| 24EL/36 | 24 VDC, E-Coil, Dual Lead Wires, 36 inches long |
| 24EL/W/Z | 24 VDC, E-Coil, Dual Lead Wires with WeatherPak and Zener Diode |
| 24ER | 24 VDC, E-Coil, Deutsch |
| 24ER/Z | 24 VDC, E-Coil, Deutsch with Zener Diode |
| 24EY | 24 VDC, E-Coil, Metri-Pack 150 |
| 24EY/Z | 24 VDC, E-Coil, Metri-Pack 150 with Zener Diode |
| 36DS | 36 VDC, D-Coil, Dual Spade |
| 115AG | 115 VAC, D-Coil, DIN 43650 |
| 115AP | 115 VAC, D-Coil, 1/2" Conduit and Dual Lead Wires |
| 230AG | 230 VAC, D-Coil, DIN 43650 |
| 230AP | 230 VAC, D-Coil, 1/2" Conduit and Dual Lead Wires |