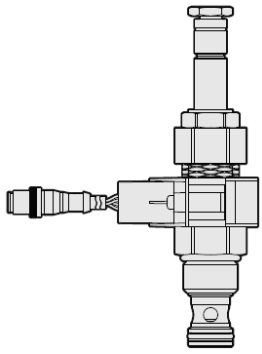




## Overview



### Description

A solenoid-operated, 2 port, normally closed, poppet-type, screw-in hydraulic cartridge valve, designed to function as a load holding or blocking valve in applications requiring low internal leakage.

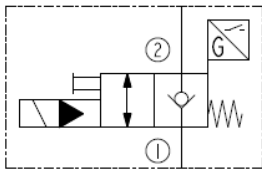
### Operation

When de-energized, the SV12-P22AX acts as a check valve, allowing flow to pass from port 1 to port 2, while blocking flow in the reverse direction. When energized, the poppet lifts to open the port 2 to port 1 flow path. In this mode, flow is also allowed from 1 to 2.

### Features

- Integral position sensor indicates when valve is shifted.
- Continuous-duty rated coil.
- Hardened seat for long life and low leakage.
- Optional coil voltages and terminations.
- Efficient wet-armature construction.
- Cartridges are voltage interchangeable.
- Waterproof E-Coils rated up to IP69K.
- Unitized, molded coil design.
- 960 hour salt-spray rated solenoid tubes and coils.

### Symbol



## Ratings

### Pressure Ratings

Pressure rating	207 bar (3000 psi)
Proof pressure	345 bar (5000 psi)
Burst pressure	827 bar (12000 psi)

### Flow Ratings

Flow rating	113.6 lpm (30 gpm)
Maximum internal leakage	5 drops/min - <b>Note:</b> At 207 bar (3000 psi) 0.4 lpm (0.1 gpm) - <b>Note:</b> Typical flow (leakage) in transition at 207 bar (3000 psi). (see "Flow vs % Valve Shift" graph for flow in transition from valve close to valve open).

### Other Ratings

Response	85 ms - <b>Note:</b> Pull-in. Response times measured per NFPA/T3.5.30-2008 *Inlet pressure at port 2 is 207 bar (3000 psi) *Valve oriented vertically and purged of air 94 sec - <b>Note:</b> Drop-out. Response times measured per NFPA/T3.5.30-2008 *Inlet pressure at port 2 is 207 bar (3000 psi) *Valve oriented vertically and purged of air
Minimum pull-in voltage	10.2 Vdc - <b>Note:</b> 12Vdc coil

### Temperature Ratings

Operating fluid temperature	-40 to 100 °C (-40 to 212 °F)	- <b>Note:</b> With buna N seals
	-26 to 204 °C (-15 to 400 °F)	- <b>Note:</b> With fluorocarbon seals *See Position sensor operating temperature*
	-54 to 107 °C (-65 to 225 °F)	- <b>Note:</b> With urethane seals *See Position sensor operating temperature*
Storage temperature	-40 to 70 °C (-40 to 160 °F)	
Ambient temperature	-40 to 70 °C (-40 to 160 °F)	
Position sensor operating temperature	-40 to 110 °C (-40 to 230 °F)	- <b>Note:</b> Sensor element operating temperature limits the operating temperature of the entire assembly

## Operating Parameters

Fluids	Mineral based or synthetic hydraulic fluid with lubricating properties
Fluid viscosity range	7.4 to 420 cSt
Maximum operating contamination level	20/18/14 per ISO 4406



## Position Sensor Specifications

### Electrical Parameters

Supply voltage	9 to 32 Vdc	- <b>Note:</b> Vcc
Output voltage with target present	Vcc	
Output clamp current	40 to 65 mA	- <b>Note:</b> For Vcc up to 32 Vdc

### Ratings

ESD	±8 kV	- <b>Note:</b> Air discharge
EMI	30 V/m	- <b>Note:</b> From 400 MHz to 2 GHz
IP rating	IP67	
Vibration	10 G	- <b>Note:</b> 10 to 2000 Hz sinusoidal
Mechanical shock	50 G	- <b>Note:</b> 11 ms, half-wave sinusoidal
Position sensor operating temperature	-40 to 110 °C (-40 to 230 °F)	- <b>Note:</b> Sensor element operating temperature limits the operating temperature of the entire assembly

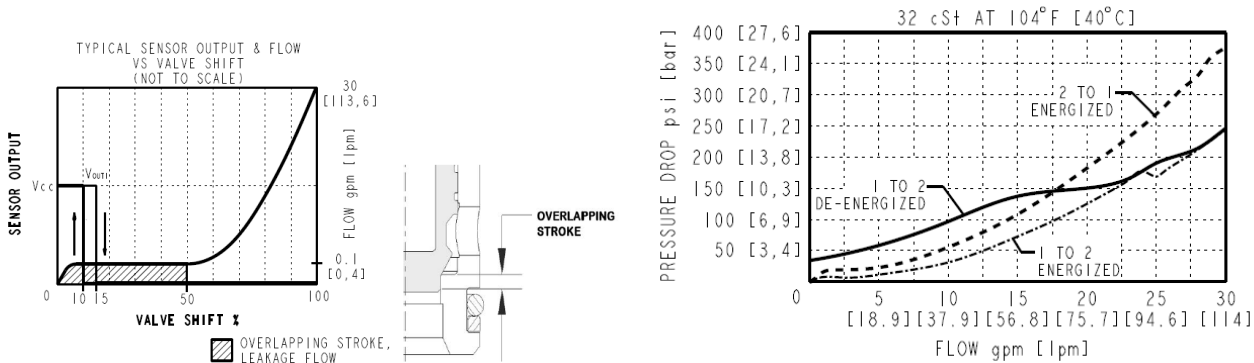
### Properties

Connector	Deutsch DT04-4P	- <b>Note:</b> Option N3 (dual output)
	M12	- <b>Note:</b> Option M3 (dual output)

## Properties

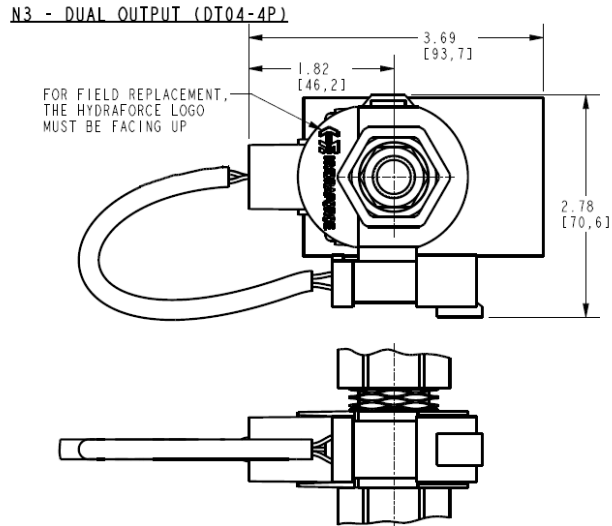
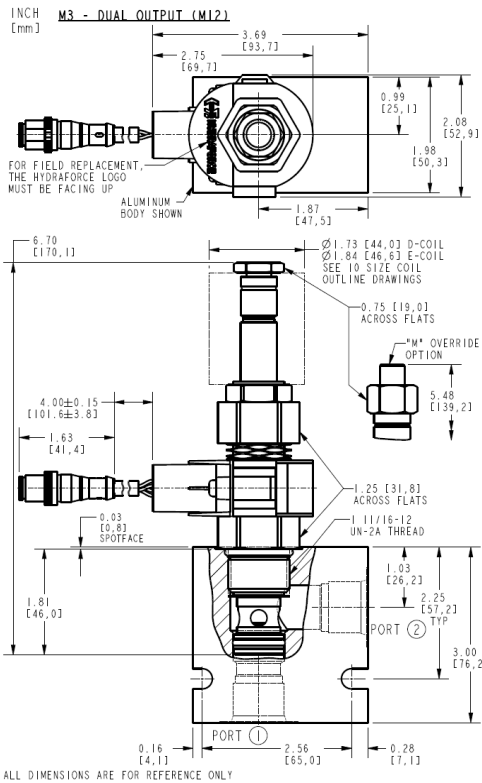
Unit weight	0.58 kg (1.28 lb)	- <b>Note:</b> SV12-P22A WITH M12 CONNECTOR
Internal wetted surface area	270 cm <sup>2</sup> (41.9 in <sup>2</sup> )	

## Performance



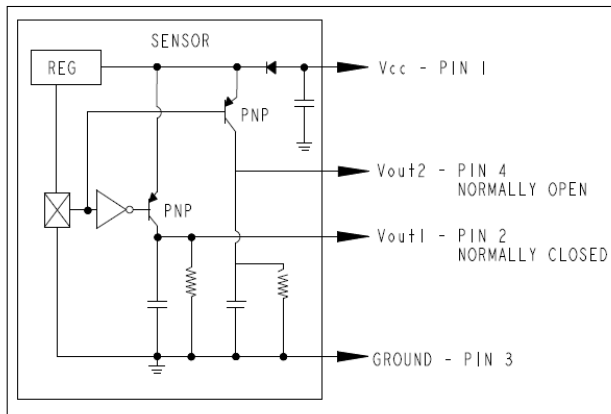


## Dimensions

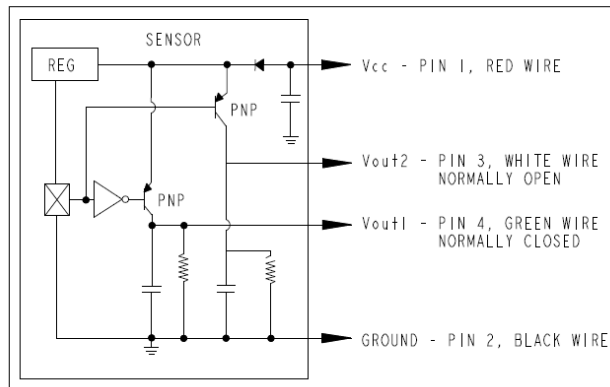


## Wiring Diagrams

M3 SENSOR WIRING DIAGRAM



N3 SENSOR WIRING DIAGRAM



## Installation Specifications

Cavity	VC12-2
Cartridge installation torque	44.7 to 50.2 N-m (33 to 37 ft-lb)
Coil nut torque	6.8 to 9.5 N-m (5 to 7 ft-lb)
Orientation restriction	None

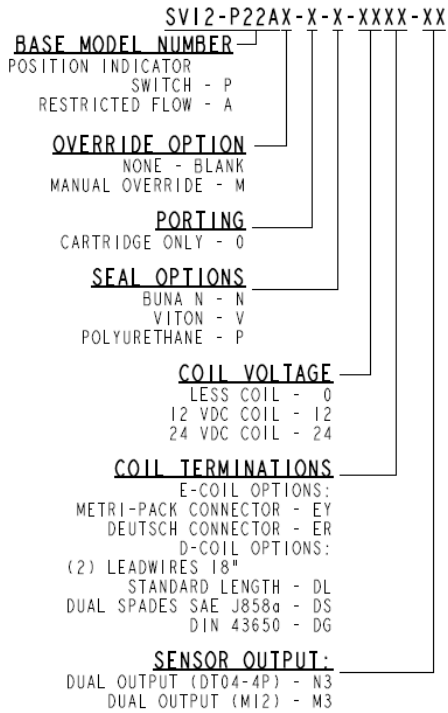
## Accessories

Seal kit	SK12-2X-T	- Note: X = Seal option
----------	-----------	-------------------------

## Order Code



## ORDERING INFORMATION



### Model Options

#### SV12-P22AE-H-J-L-M

#### E Manual Override

CODE	DESCRIPTION
BLANK	NONE
M	Two Position Override, Red Knurled Knob

#### H Line Body

CODE	DESCRIPTION
0	No Body
10T	Aluminum SAE 10
12T	Aluminum SAE 12
16T	Aluminum SAE 16
12TD	Ductile Iron SAE 12
16TD	Ductile Iron SAE 16
8B	Aluminum BSPP 1" (8)
8BD	Ductile Iron BSPP 1" (8)

#### J Seal

CODE	DESCRIPTION
N	Buna-N
V	Fluorocarbon
P	Polyurethane
U	PPDI Urethane

#### L Coil

CODE	DESCRIPTION
0	No Coil



CODE	DESCRIPTION
10DG	10 VDC, D-Coil, DIN 43650
10DL	10 VDC, D-Coil, Dual Lead Wires
10DR/D	10 VDC, D-Coil, Deutsch with Diode
10DS	10 VDC, D-Coil, Dual Spade
10EL	10 VDC, E-Coil, Dual Lead Wires
10ER	10 VDC, E-Coil, Deutsch
10ER/Z	10 VDC, E-Coil, Deutsch with Zener Diode
12DG	12 VDC, D-Coil, DIN 43650
12DL	12 VDC, D-Coil, Dual Lead Wires, 18 inches long
12DL/36	12 VDC, D-Coil, Dual Lead Wires, 36 inches long
12DL/W	12 VDC, D-Coil, Dual Lead Wires with Weatherpak
12DL/W/D	12 VDC, D-Coil, Dual Lead Wires with Weatherpak with Diode
12DR	12 VDC, D-Coil, Deutsch
12DR/D	12 VDC, D-Coil, Deutsch with Diode
12DR/Z	12 VDC, D-Coil, Deutsch with Zener Diode
12DS	12 VDC, D-Coil, Dual Spade
12EG	12 VDC, E-Coil, DIN 43650
12EJ	12 VDC, E-Coil, AMP Jr.
12EL	12 VDC, E-Coil, Dual Lead Wires, 18 inches long
12EL/36	12 VDC, E-Coil, Dual Lead Wires, 36 inches long
12EL/W/Z	12 VDC, E-Coil, Dual Lead Wires with WeatherPak and Zener Diode
12EL/Z	12 VDC, E-Coil, Dual Lead Wires with Zener Diode
12ER	12 VDC, E-Coil, Deutsch
12ER/Z	12 VDC, E-Coil, Deutsch with Zener Diode
12EY	12 VDC, E-Coil, Metri-Pack 150
12EY/Z	12 VDC, E-Coil, Metri-Pack 150 with Zener Diode
20DR/D	20 VDC, D-Coil, Deutsch with Diode
20DS	20 VDC, D-Coil, Dual Spade
20ER	20 VDC, E-Coil, Deutsch
24AG	24 VDC, D-Coil, DIN 43650
24AP	24 VDC, D-Coil, 1/2" Conduit and Dual Lead Wires
24DG	24 VDC, D-Coil, DIN 43650
24DL	24 VDC, D-Coil, Dual Lead Wires
24DL/W	24 VDC, D-Coil, Dual Lead Wires with Weatherpak
24DL/W/D	24 VDC, D-Coil, Dual Lead Wires with Weatherpak with Diode
24DP	24 VDC, D-Coil, 1/2" Conduit and Dual Lead Wires
24DR	24 VDC, D-Coil, Deutsch
24DR/D	24 VDC, D-Coil, Deutsch with Diode
24DS	24 VDC, D-Coil, Dual Spade
24EG	24 VDC, E-Coil, DIN 43650
24EJ	24 VDC, E-Coil, AMP Jr.
24EL	24 VDC, E-Coil, Dual Lead Wires, 18 inches long
24EL/36	24 VDC, E-Coil, Dual Lead Wires, 36 inches long



CODE	DESCRIPTION
24EL/W/Z	24 VDC, E-Coil, Dual Lead Wires with WeatherPak and Zener Diode
24ER	24 VDC, E-Coil, Deutsch
24ER/Z	24 VDC, E-Coil, Deutsch with Zener Diode
24EY	24 VDC, E-Coil, Metri-Pack 150
24EY/Z	24 VDC, E-Coil, Metri-Pack 150 with Zener Diode
36DS	36 VDC, D-Coil, Dual Spade
115AG	115 VAC, D-Coil, DIN 43650
115AP	115 VAC, D-Coil, 1/2" Conduit and Dual Lead Wires
230AG	230 VAC, D-Coil, DIN 43650
230AP	230 VAC, D-Coil, 1/2" Conduit and Dual Lead Wires

### M Position Sensor Termination

CODE	DESCRIPTION
BLANK	No Position Sensor
M3	Neutral Sense, M12-4P, Dual Output NC/NO
N3	Neutral Sense, DT04-4P, Dual Output NC/NO