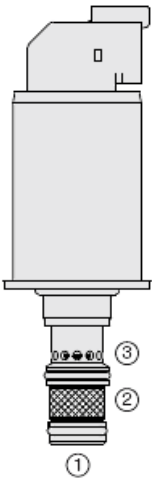




## Overview



### Description

The SV98-G38X is a direct-acting, spool-type, 2-position, 3-way directional control valve. It is a drop-in, flange mounted, cartridge type valve for use with general purpose hydraulic fluids. The coil is an integral part of the valve and is not serviceable.

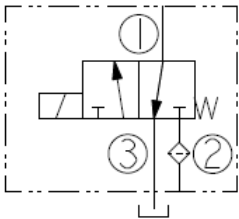
### Operation

When de-energized, the SV98-G38X allows flow from port 1 to port 3, while blocking flow at port 2. When energized, the spool shifts to open from port 2 to port 1, while blocking flow at port 3.

### Features

- Bi-directional operation.
- Reduced leakage.
- Low pressure drop
- Economical drop-in style.
- Fast response.
- Corrosion-resistant plating.
- Inlet port screen option for additional resistance to contamination.
- Higher flow capacity at lower temperatures.
- Integral waterproof coil standard. See page 3.400.1 for a description of tests conducted to verify coil waterproofing.
- Coil voltage range from 10 to 28 VDC.
- Top-mounted coil with several push-on termination options.
- Round flange with optional mounting plates provides more options for orientation.
- Retrofit mounting options also available.

### Symbol



## Ratings

### Pressure Ratings

Pressure rating	35 bar (500 psi)	- <b>Note:</b> Port 1
	45 bar (650 psi)	- <b>Note:</b> Ports 2, 3
Proof pressure	124 bar (1800 psi)	- <b>Note:</b> Ports 1 and 2
	54 bar (780 psi)	- <b>Note:</b> Port 3
Burst pressure	250 bar (3625 psi)	- <b>Note:</b> All ports pressurized

### Flow Ratings

Flow rating	30 lpm (8 gpm)	
Maximum internal leakage	50 ml/min (3.1 in <sup>3</sup> /min)	- <b>Note:</b> At 45 bar (650 psi)

### Other Ratings

Cycle life	Ten million cycles	
Response	42 ms	- <b>Note:</b> (pull-in) first indication of change of state with 100% voltage and flow rating
	29 ms	- <b>Note:</b> (drop-out) first indication of change of state with 100% voltage and flow rating
Environmental rating	IP69k	
Corrosion protection	960 hour salt spray per ASTM B117	

### Temperature Ratings

Operating fluid temperature	-40 to 149 °C (-40 to 300 °F)	- <b>Note:</b> With HNBR seals
	-26 to 204 °C (-15 to 400 °F)	- <b>Note:</b> With fluorocarbon seals
Storage temperature	-40 to 70 °C (-40 to 160 °F)	
Ambient temperature	-40 to 120 °C (-40 to 248 °F)	



## Operating Parameters

Fluids	Mineral based or synthetic hydraulic fluid with lubricating properties
Fluid viscosity range	7.4 to 420 cSt
Maximum operating contamination level	20/18/14 per ISO 4406

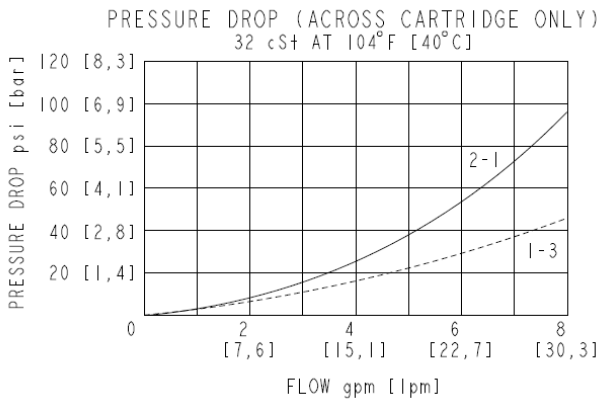
## Properties

Unit weight	0.26 kg (0.58 lb)
Internal wetted surface area	120.6 cm <sup>2</sup> (18.7 in <sup>2</sup> )

## Electrical Parameters

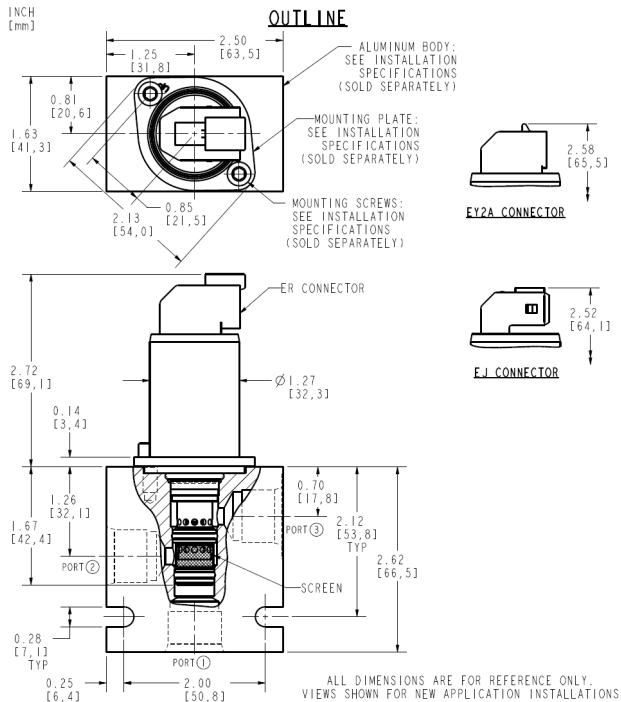
Minimum pull-in voltage	85% of nominal voltage at 248 °F [120 °C] ambient.	
Coil resistance	4.83 ohm	- <b>Note:</b> 10 V coil
	7.28 ohm	- <b>Note:</b> 12 V coil
	10.05 ohm	- <b>Note:</b> 14 V coil
	18.35 ohm	- <b>Note:</b> 20 V coil
	29.54 ohm	- <b>Note:</b> 24 V coil
	40.36 ohm	- <b>Note:</b> 28 V coil
Valve inductance	65 mH	- <b>Note:</b> Coil 10 Vdc
	98 mH	- <b>Note:</b> Coil 12 Vdc
	146 mH	- <b>Note:</b> Coil 14 Vdc
	273 mH	- <b>Note:</b> Coil 20 Vdc
	418 mH	- <b>Note:</b> Coil 24 Vdc
	620 mH	- <b>Note:</b> Coil 28 Vdc

## Performance





## Dimensions



## Installation Specifications

Cavity	VC-G028	- <b>Note:</b> Standard configuration
Installation type	Flange mounted	
Orientation restriction	None	
Mounting screw torque	3 to 4 N-m (2.2 to 3.0 ft-lb)	
Note	For retro-fitting into older drop-in cavities and other mounting options, see "Mounting-options-for-G3-valves" technical reference	

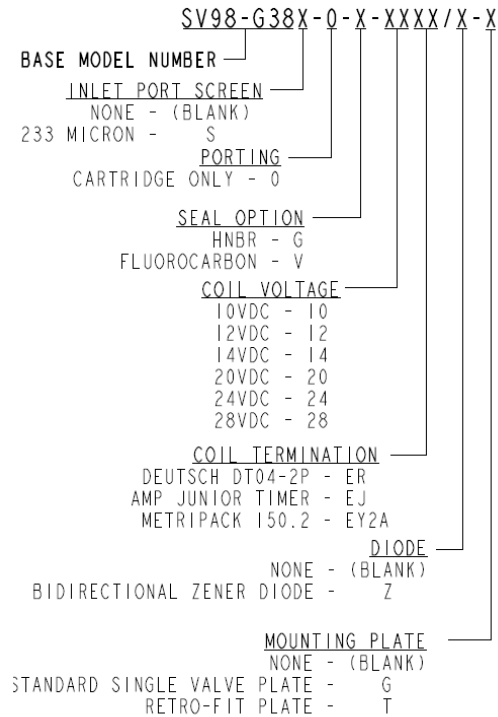
## Accessories

Mounting plate	HF P/N 4595096	- <b>Note:</b> Use with standard VC-G028 cavity
	HF P/N 4210226	- <b>Note:</b> Use with retrofit VC-T011 cavity
Mounting screw	M5 x 0,8 x 12 mm long, HF P/N: 4002609 (sold separately)	- <b>Note:</b> Use with standard VC-G028 cavity
	M4 x 00.7 x 12 mm long, HF P/N: 4001015 (sold separately)	- <b>Note:</b> Use with retrofit VC-T011 cavity
Seal kit	SK-G028-X	- <b>Note:</b> X=seal option
Ported test body	HF P/N: 71612X0	

## Order Code



## ORDERING INFORMATION

**Model Options****SV98-G38G-H-J-KL-U****G Screen**

CODE	DESCRIPTION
BLANK	NONE
S	60 Mesh Screen

**H Line Body**

CODE	DESCRIPTION
0	No Body
6T	Aluminum SAE 6

**J Seal**

CODE	DESCRIPTION
G	HNBR (Hydrogenated Nitrile Butadiene Rubber)
V	Fluorocarbon
P	Polyurethane

**K Coil Voltage**

CODE	DESCRIPTION
10	10 VDC
12	12 VDC
14	14 VDC
20	20 VDC
24	24 VDC
28	28 VDC

**L Coil Termination**



CODE	DESCRIPTION
EJ	E-Coil, AMP Jr.
ER	E-Coil, Deutsch
EY2A	E-Coil, Metri-Pack 150.2

**U Mounting Plate**

CODE	DESCRIPTION
BLANK	None
G	Standard Single Valve Plate
T	Retro-Fit Plate