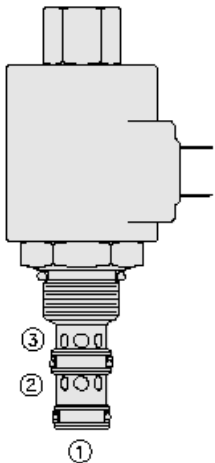




Overview



Description

The TS10-36X is a screw-in, cartridge style, pilot-operated, spool-type, proportional pressure reducing/relieving valve which CAN be infinitely adjusted across a prescribed range using a variable electric input. The regulated pressure is proportional to the input electrical current.

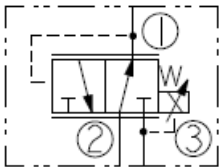
Operation

With current applied to the valve coil, the TS10-36XX allows flow from port 2 to port 1 until sufficient pressure is present at port 1 to open the pilot section by offsetting the electrically induced solenoid force. Upon reaching the predetermined pressure at port 1, the valve shifts to restrict inlet flow at port 2, thereby regulating pressure at port 1. In this mode, the valve also relieves port 1 to port 3. With no current applied, the valve will relieve at approximately 100 psi [6,9].

Features

- 12 and 24 volt coils standard.
- Optional waterproof E-Coils rated up to IP69K.
- Industry common cavity.
- Optional manual override.

Symbol



Ratings

Pressure Ratings

Pressure rating	241.3 bar (3500 psi)	- Note: Ports 1, 2
	68.9 bar (1000 psi)	- Note: Port 3
Proof pressure	249.9 bar (3625 psi)	
Burst pressure	758.4 bar (11000 psi)	- Note: With coil assembled
Adjustable pressure range	6.9 to 206.8 bar (100 to 3000 psi)	- Note: Model-code A
	6.9 to 158.6 bar (100 to 2300 psi)	- Note: Model code B
	6.9 to 117.2 bar (100 to 1700 psi)	- Note: Model code C

Flow Ratings

Flow rating	56.8 lpm (15 gpm)	
Maximum pilot flow	0.02 lpm (0.08 gpm)	- Note: With maximum control current and with inlet pressure of 241.3 bar (3500 psi) at regulated flow of 3.8 lpm (1 gpm)

Other Ratings

Cycle life	Less than 5% performance degradation over 1 million cycles (based on simulated test at 37.8 lpm (10 gpm) flow and maximum pressure setting.
Corrosion protection	960 hr salt spray per ASTM b117

Temperature Ratings

Operating fluid temperature	-40 to 100 °C (-40 to 212 °F)	- Note: With buna N seals
	-26 to 204 °C (-15 to 400 °F)	- Note: With fluorocarbon seals
	-54 to 107 °C (-65 to 225 °F)	- Note: With polyurethane seals
Storage temperature	-40 to 70 °C (-40 to 160 °F)	
Ambient temperature	-40 to 70 °C (-40 to 160 °F)	

Operating Parameters

Fluids	Mineral based or synthetic with lubricating properties
Fluid viscosity range	7.4 to 420 cSt
Maximum operating contamination level	18/16/13 per ISO 4406 (tank pressure is additive to regulated pressure)



Properties

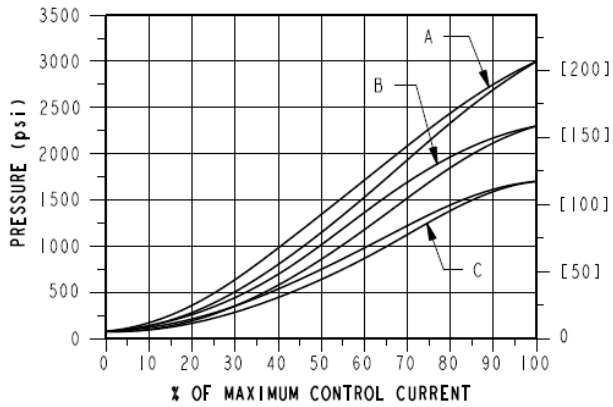
Unit weight	0.21 kg (0.47 lb)	
Internal wetted surface area	192 cm ² (29.8 in ²)	- Note: TS10-36X
	198 cm ² (30.7 in ²)	- Note: TS10-36XM

Electrical Parameters

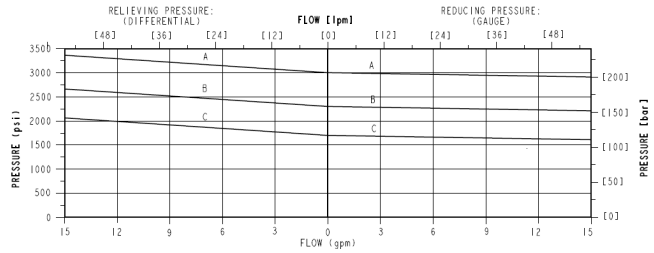
Maximum control current	1.10 A	- Note: 12 V D coil
	0.55 A	- Note: 24 V D coil
Valve inductance	141 mH	- Note: 12 V E coil
	626 mH	- Note: 24 V E coil
	141 mH	- Note: 12 V D coil
	626 mH	- Note: 24 V D coil
Recommended PWM frequency	139 mH	- Note: 12 V E coil
	600 mH	- Note: 24 V E coil
	200 Hz	

Performance

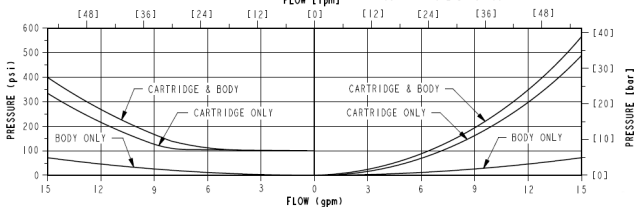
REDUCING PRESSURE VS CURRENT (DC)
PORT 2 TO PORT 1



TYPICAL RELIEVING / REDUCING PRESSURE VS FLOW @ MAXIMUM CURRENT
CARTRIDGE IN BODY SHOWN FOR TS10-36A, B AND C

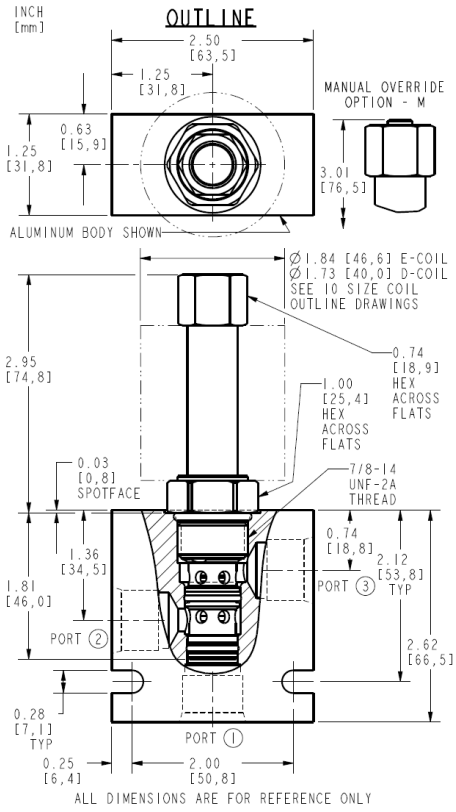


TYPICAL PRESSURE DROP VS FLOW
RELIEVING PRESSURE (PORT 1 TO PORT 3) (COIL DE-ENERGIZED) REDUCING PRESSURE (PORT 2 TO PORT 1) (COIL ENERGIZED TO 1.3 A)





Dimensions



Installation Specifications

Cavity	VC10-3
Cartridge installation torque	32.5 to 35.3 N-m (24 to 26 ft-lb)
Coil nut torque	9.5 to 13.6 N-m (7 to 10 ft-lb)
Orientation restriction	None

Accessories

Seal kit	SK10-3X-BM SK10-3U-OO	- Note: X = seal option
----------	-----------------------	-------------------------

Order Code



ORDERING INFORMATION:

TS10-36XX-XX-X-XX/XX

BASE MODEL NUMBER:

PRESSURE CODE:

- 100-3000 psi - A
- 100-2300 psi - B
- 100-1700 psi - C

OPTION:

- NONE - BLANK
- MANUAL OVERRIDE - M

PORTING:

- CARTRIDGE ONLY - 0

SEAL OPTION:

- BUNA N - N
- FLUOROCARBON - V
- POLYURETHANE - P
- URETHANE - U

COIL VOLTAGE:

- LESS COIL - 00
- 12 VDC COIL - 12
- 24 VDC COIL - 24

COIL TERMINATIONS:

- DIN 43650 - DG
- LEAD WIRES (18 GAUGE) - DL
- DEUTSCH DT04-2P - ER
- METRI-PACK 150 - EY

Model Options

TS10-36DE-H-J-L

D Regulating Pressure Range

CODE	DESCRIPTION
A	6.9 to 206.8 bar (100 to 3000 psi) Pressure Range
B	6.9 to 158.6 bar (100 to 2300 psi) Pressure Range
C	6.9 to 117.2 bar (100 to 1700 psi) Pressure Range

E Manual Override

CODE	DESCRIPTION
BLANK	NONE
M	Minimum Regulated Pressure Override, 3/16" Internal Hex

H Line Body

CODE	DESCRIPTION
0	No Body
6T	Aluminum SAE 6
8T	Aluminum SAE 8
6TD	Ductile Iron SAE 6
8TD	Ductile Iron SAE 8
3B	Aluminum BSPP 3/8" (3)
3BD	Ductile Iron BSPP 3/8" (3)

J Seal

CODE	DESCRIPTION
N	Buna-N
V	Fluorocarbon



CODE	DESCRIPTION
P	Polyurethane
U	PPDI Urethane

L Coil

CODE	DESCRIPTION
0	No Coil
10DG	10 VDC, D-Coil, DIN 43650
10DL	10 VDC, D-Coil, Dual Lead Wires
10DS	10 VDC, D-Coil, Dual Spade
10EL	10 VDC, E-Coil, Dual Lead Wires
10ER	10 VDC, E-Coil, Deutsch
12DG	12 VDC, D-Coil, DIN 43650
12DL	12 VDC, D-Coil, Dual Lead Wires, 18 inches long
12DL/36	12 VDC, D-Coil, Dual Lead Wires, 36 inches long
12DL/W	12 VDC, D-Coil, Dual Lead Wires with Weatherpak
12DR	12 VDC, D-Coil, Deutsch
12DS	12 VDC, D-Coil, Dual Spade
12EG	12 VDC, E-Coil, DIN 43650
12EJ	12 VDC, E-Coil, AMP Jr.
12EL	12 VDC, E-Coil, Dual Lead Wires, 18 inches long
12EL/36	12 VDC, E-Coil, Dual Lead Wires, 36 inches long
12ER	12 VDC, E-Coil, Deutsch
12EY	12 VDC, E-Coil, Metri-Pack 150
20DS	20 VDC, D-Coil, Dual Spade
20ER	20 VDC, E-Coil, Deutsch
24AG	24 VDC, D-Coil, DIN 43650
24AP	24 VDC, D-Coil, 1/2" Conduit and Dual Lead Wires
24DG	24 VDC, D-Coil, DIN 43650
24DL	24 VDC, D-Coil, Dual Lead Wires
24DL/W	24 VDC, D-Coil, Dual Lead Wires with Weatherpak
24DP	24 VDC, D-Coil, 1/2" Conduit and Dual Lead Wires
24DR	24 VDC, D-Coil, Deutsch
24DS	24 VDC, D-Coil, Dual Spade
24EG	24 VDC, E-Coil, DIN 43650
24EJ	24 VDC, E-Coil, AMP Jr.
24EL	24 VDC, E-Coil, Dual Lead Wires, 18 inches long
24EL/36	24 VDC, E-Coil, Dual Lead Wires, 36 inches long
24ER	24 VDC, E-Coil, Deutsch
24EY	24 VDC, E-Coil, Metri-Pack 150
36DS	36 VDC, D-Coil, Dual Spade