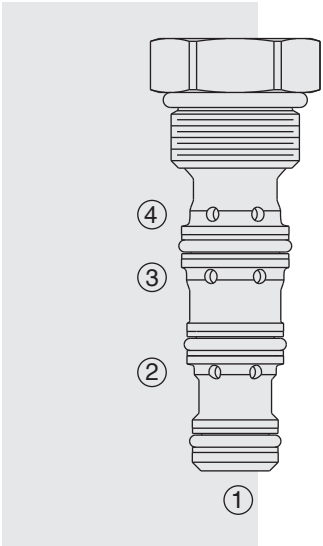


DC08-40 Pilot Operated Check Valve



DESCRIPTION

A dual pilot-operated check valve for use in blocking or load-holding circuits.

OPERATION

The **DC08-40** will block flow from 1 to 2, and from 4 to 3. Flow is allowed in the opposite direction when pressure is applied to port 2 and/or port 3.

The valve has a 3:1 pilot ratio, so at least 1/3 of the load pressure at port 1 or 4 is required at the pilot lines (ports 2 or 3) to open the flow passage to allow flow from ports 1 or 4.

The check is spring-biased to assure holding in a static or no load condition.

Note: Orifice disc cannot be used with this product.

FEATURES

- Hardened seat for long life and low leakage.
- Low pressure drop.
- Three spring sizes available - 25, 85 and 135.
- Sealed spool option available with 135 psi spring only.

RATINGS

Operating Pressure: Inlet: 240 bar (3500 psi)

Flow: Rated Inlet Flow: 19 lpm (5 gpm); see performance chart

Pilot Ratio: 3:1

Check Spring Bias: 1.7 bar (25 psi); Optional 9.3 bar (135 psi)

Leakage: 5 drops per minute (0.25 ml per minute) at 3000 psi

Temperature: -40 to 100°C (-40 to 212°F) with Buna N seals;

-26 to 204°C (-15 to 400°F) with fluorocarbon seals;

-54 to 107°C (-65 to 225°F) with polyurethane and urethane seals.

Filtration: See page 9.010.1

Fluids: Mineral-based or synthetics with lubricating properties at viscosities of

7.4 to 420 cSt (50 to 2000 sus); See Temperature and Oil Viscosity, page 9.060.1

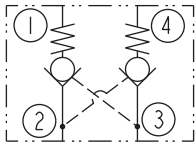
Installation: No restrictions; See page 9.020.1

Cavity: VC08-4; See page 9.108.1

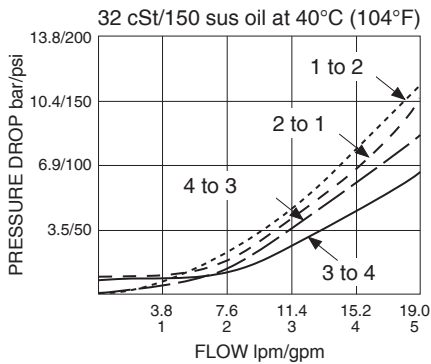
Cavity Tool: CT08-4XX-X-X; See page 8.600.1

Seal Kit: SK08-4X-MMM; See page 8.650.1

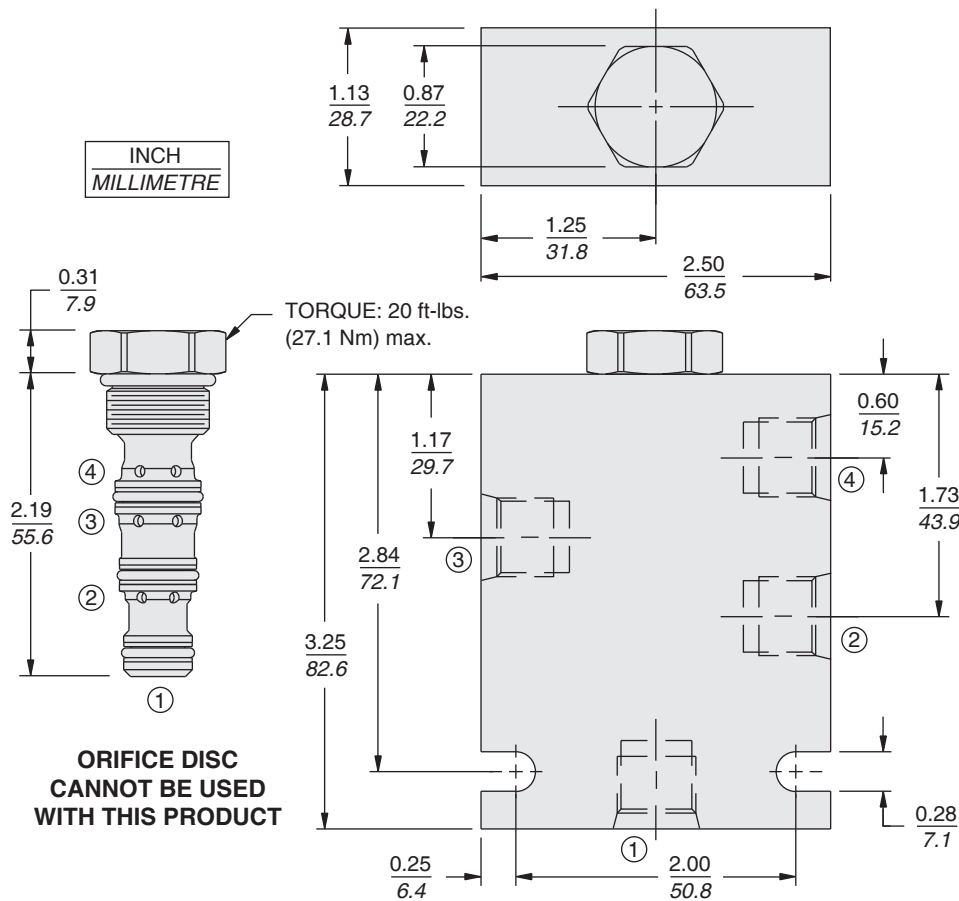
ISO SYMBOLS



PERFORMANCE (Cartridge Only)



DIMENSIONS



MATERIALS

Cartridge: Weight: 0.07 kg. (0.16 lbs.) Steel with hardened work surfaces. Zinc-plated exposed surfaces. Buna N O-rings and polyester elastomer back-ups standard.

Standard Ported Body: Weight: 0.18 kg. (0.40 lbs.) Anodized high-strength aluminum alloy, rated to 207 bar (3000 psi). Ductile iron bodies available; dimensions may differ. See page 8.008.1

TO ORDER

DC08-40 -		Bias Spring	
Porting		25	1.7 bar (25 psi) Standard
Cartridge Only	0	85	5.9 bar (85 psi)
SAE 6	6T	135	9.3 bar (135 psi)
1/4 in. BSP*	2B		
3/8 in. BSP*	3B		
		Seals	
		N	Buna N (Std.)
		V	Fluorocarbon
		P	Polyurethane
		U	Urethane
		NS*	Buna N with sealed spool
		VS*	Fluorocarbon with sealed spool
		US*	Urethane with sealed spool
		PS*	Polyurethane with sealed spool

* Note: NS, Vs, PS and US seal options require 9.3 bar (135 psi) spring minimum.