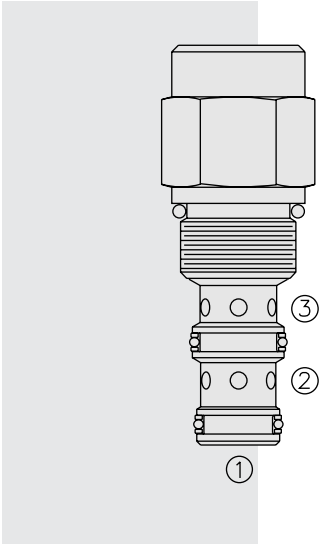


PD10-32 Piloted 2-Way Spool, Normally Closed,



DESCRIPTION

A screw-in, cartridge-style, pilot-operated, spool-type, normally closed, hydraulic directional valve for two-way circuits requiring remote pilot actuation.

OPERATION

In neutral (unpiloted), the **PD10-32** blocks flow from ③ to ② bidirectionally. The spring bias chamber is internally vented to ③.

On remote pilot signal at ①, the valve shifts to open ② to ③ unidirectionally.

FEATURES

- Hardened spool and cage for long life.
- Industry common cavity.

RATINGS

Operating Pressure: 240 bar (3500 psi)

Proof Pressure: 390 bar (5700 psi)

Flow: See Performance Chart

Internal Leakage: 82 cc/minute (5 cu. in./minute) max. at 207 bar (3000 psi)

Pilot Pressure Required: To Full Spool Shift:

for 4.1 bar (60 psi) spring: 4.7 bar (68.2 psi)

for 7.6 bar (110 psi) spring: 8.6 bar (125 psi)

Oil Volume Required to Full Shift: 0.65 cc (0.04 cu. in.)

Temperature: -40 to 120°C with standard Buna seals

Filtration: See page 9.010.1

Fluids: Mineral-based or synthetics with lubricating properties at viscosities of

7.4 to 420 cSt (50 to 2000 sus); See Temperature and Oil Viscosity, page 9.060.1

Installation: No restrictions; See page 9.020.1

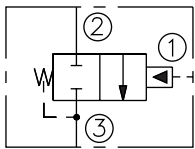
Cavity: VC10-3; See page 9.110.1

Cavity Tool: CT10-3XX; See page 8.600.1

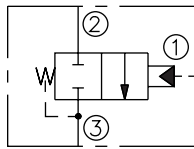
Seal Kit: SK10-3X-MM; See page 8.650.1

SYMBOLS

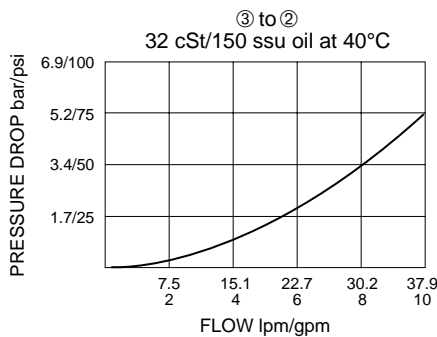
USASI:



ISO:



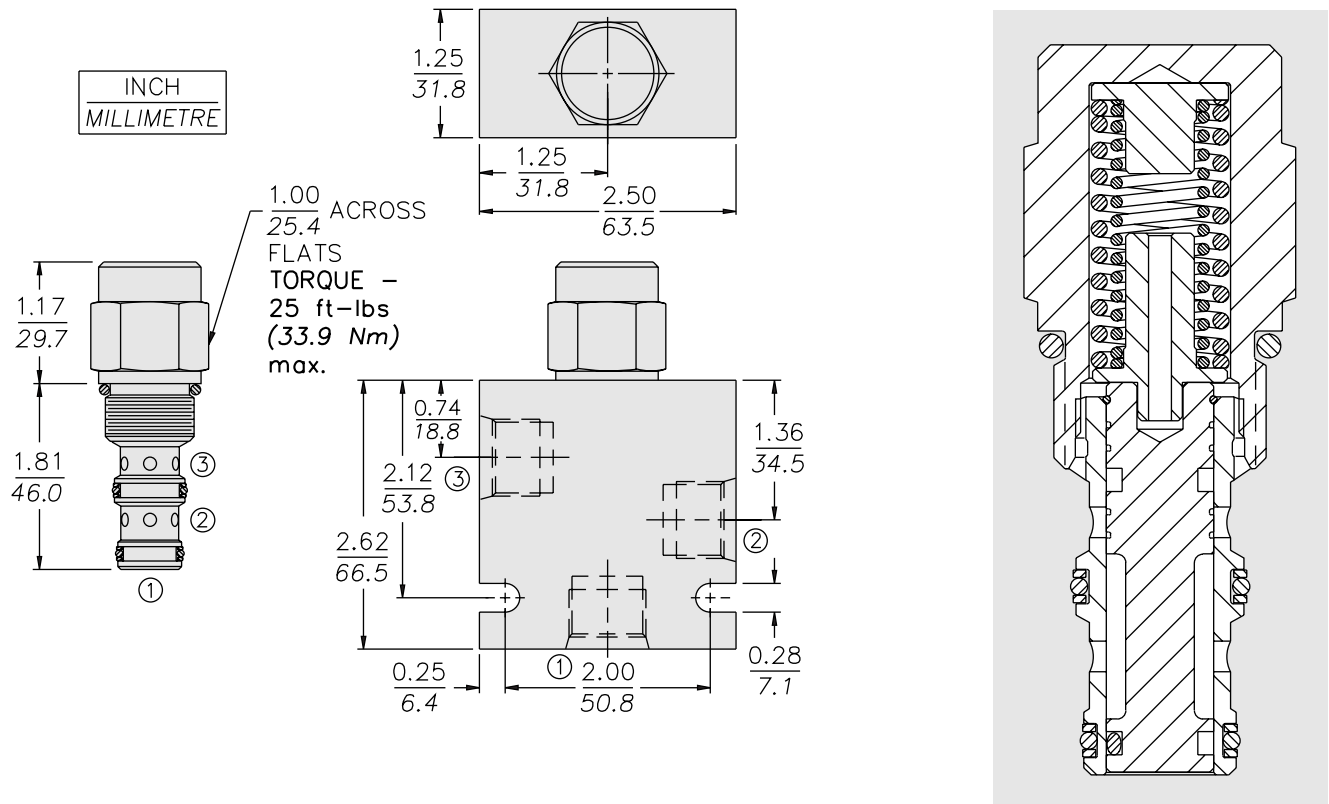
PERFORMANCE (Cartridge Only)



Internal Vent

PD10-32

DIMENSIONS



MATERIALS

Cartridge: Weight: 0.15 kg. (0.34 lbs.)
Steel with hardened work surfaces;
Zinc-plated exposed surfaces.
Buna N O-rings and polyester
elastomer back-ups standard.

Standard Ported Body: Weight:
0.36 kg. (0.80 lbs.) Anodized high-
strength 6061 T6 aluminum alloy,
rated to 207 bar (3000 psi). Ductile
iron bodies available; dimensions
may differ. See page 8.010.1.

TO ORDER

PD10-32 - - -

Porting
Cartridge Only **0**
SAE 6 **6T**
SAE 8 **8T**
1/4 in. BSP* **2B**
3/8 in. BSP* **3B**

Bias Spring†
40 2.8 bar (40 psi)
60 4.1 bar (60 psi)
110 7.6 bar (110 psi)
170 11.7 bar (170 psi)

*Note: 110 psi bias spring is the
minimum required for use with
sealed spool.

Seals
N Buna N (Std.)
NS Buna N with Sealed Spool
V Fluorocarbon
VS Fluorocarbon with Sealed Spool