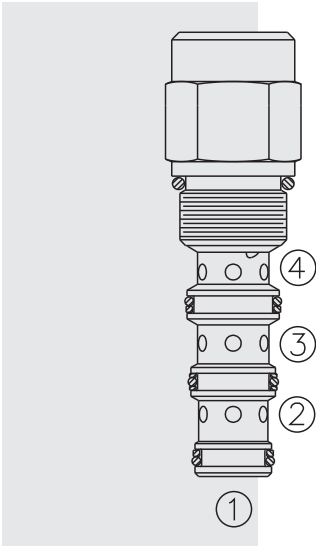


# PD08-41 Piloted, Spool



## DESCRIPTION

A screw-in, cartridge-style, pilot-operated, spool-type, hydraulic directional valve.

## OPERATION

In neutral (unpiloted), the PD08-41 allows flow from 3 to 4 bidirectionally, while port 2 is blocked.

On remote pilot signal at 1, the valve shifts to open from 3 to 2, while blocking flow to 4.

Since 4 is common to the spring chamber, pressure on 4 will directly (1:1) affect the pilot pressure required, and must always be added to the bias spring value.

## FEATURES

- Bidirectional operation.
- Open transition spool option.
- Sealed spool option for zero leakage.
- Corrosion-resistant, 960-salt spray plating option.
- Hardened spool and cage for long life.
- Industry common cavity.

## RATINGS

**Operating Pressure:** 241 bar (3500 psi)

**Flow Rating:** See Performance Chart

**Maximum Internal Leakage:** 82 cc/minute (5 cu. in./minute) max. at 207 bar (3000 psi) from port 1 to 2 or port 2 to 3; zero leakage from port 1 to 2 with sealed spool.

**Temperature:** -40 to 100°C (-40 to 212°F) with standard Buna seals;  
 -26 to 204°C (-15 to 400°F) with fluorocarbon seals;  
 -54 to 107°C (-65 to 225°F) with polyurethane seals

**Filtration:** See page 9.010.1

**Fluids:** Mineral-based or synthetics with lubricating properties at viscosities of 7.4 to 420 cSt (50 to 2000 sus); See Temperature and Oil Viscosity, page 9.060.1

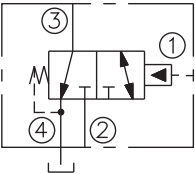
**Installation:** No restrictions; See page 9.020.1

**Cavity:** VC08-4; See page 9.108.1

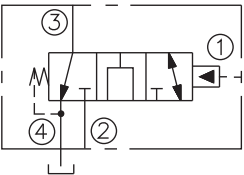
**Cavity Tool:** CT08-4XX; See page 8.600.1

**Seal Kit:** SK08-4X-MMM (X = Seal Option); See page 8.650.1

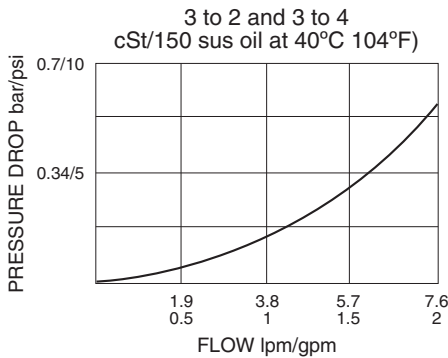
## ISO SYMBOLS



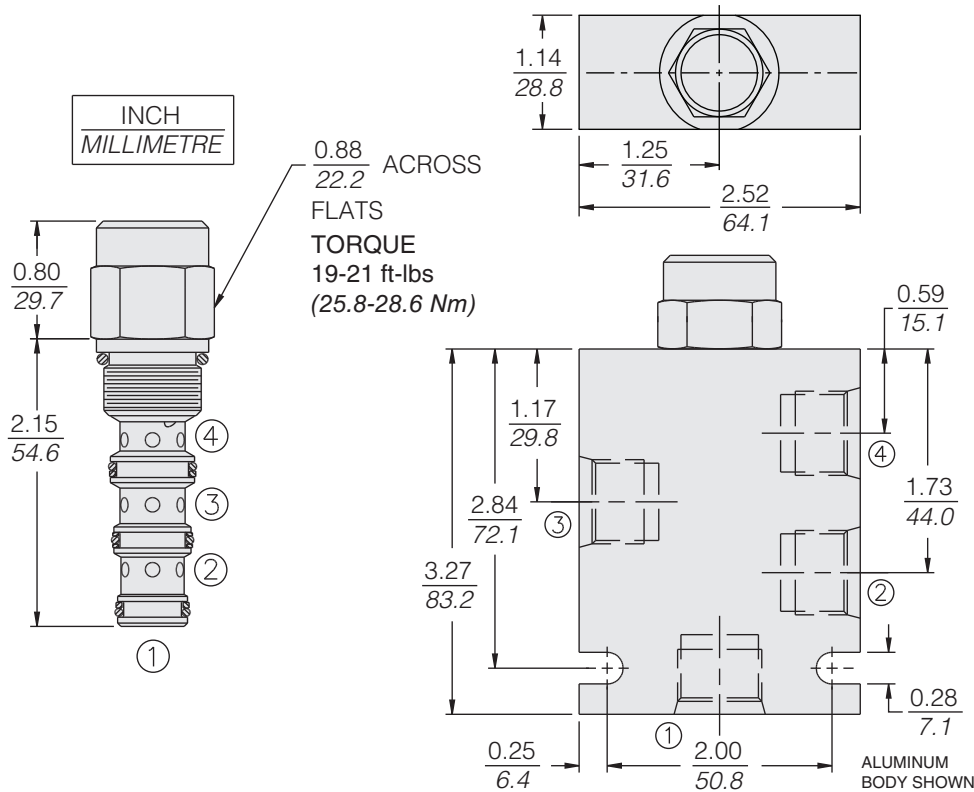
## OPEN TRANSITION:



## PERFORMANCE (Cartridge Only)



**DIMENSIONS**



**MATERIALS**

**Cartridge:** Weight: 0.11 kg (0.24 lb)  
Steel with hardened work surfaces. Zinc-plated exposed surfaces. Buna N O-rings and polyester elastomer back-ups standard.

**Standard Ported Body:**  
Weight: 0.34 kg (0.75 lb)  
Anodized high-strength aluminum alloy, rated to 207 bar (3000 psi); Ductile iron bodies available; dimensions may differ. See page 8.008.1

**TO ORDER**

