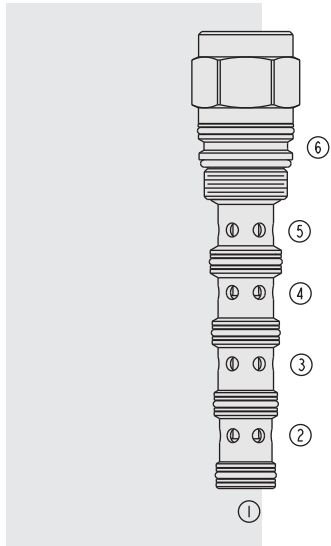


PD16-S63 Piloted Directional Valve



DESCRIPTION

A screw-in, cartridge-style, pilot-operated, spool-type, hydraulic cartridge valve.

OPERATION

In the neutral position, the **PD16-S63** blocks flow at all ports. On remote pilot signal at ①, the valve shifts to allow flow between ports ② and ③, and between ④ and ⑤. The spring chamber is vented to the tank through port ⑥. The vented spring chamber allows the valve to be fully pressurized at ports ①, ②, ③, ④ and ⑤ without affecting required pilot pressure. Pressure at ⑥ will affect required pilot pressure.

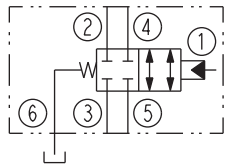
FEATURES

- Hardened spool and cage for long life.
- Optional sealed spool between ports ① and ②.

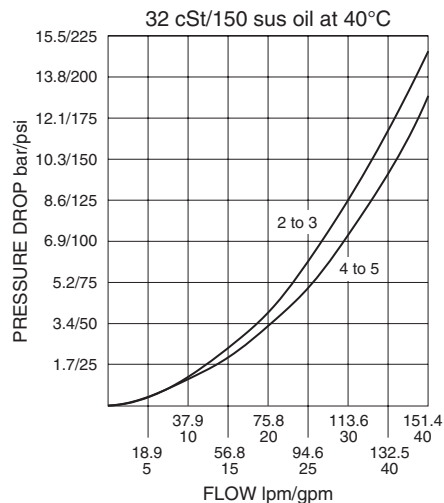
RATINGS

- Operating Pressure:** 240 bar (3500 psi)
- Flow:** 0–151 lpm (0–40 gpm); See Performance Chart
- Maximum Internal Leakage:** at 207 bar (3000 psi): 164 ml/minute (10 cu. in./minute)
- Oil Volume Required to Full Shift:** 1.5 cc (0.09 cu. in.)
- Temperature:** -40 to 120°C
- Filtration:** See page 9.010.1
- Fluids:** Mineral-based or synthetics with lubricating properties at viscosities of 7.4 to 420 cSt (50 to 2000 sus); See Temperature and Oil Viscosity, page 9.060.1
- Installation:** No restrictions; See page 9.020.1
- Cavity:** VC16-S6; See page 9.116.1
- Cavity Tool:** CT16-S6XX; See page 8.600.1
- Seal Kit:** SK16-S6X-BMMMM; See page 8.650.1

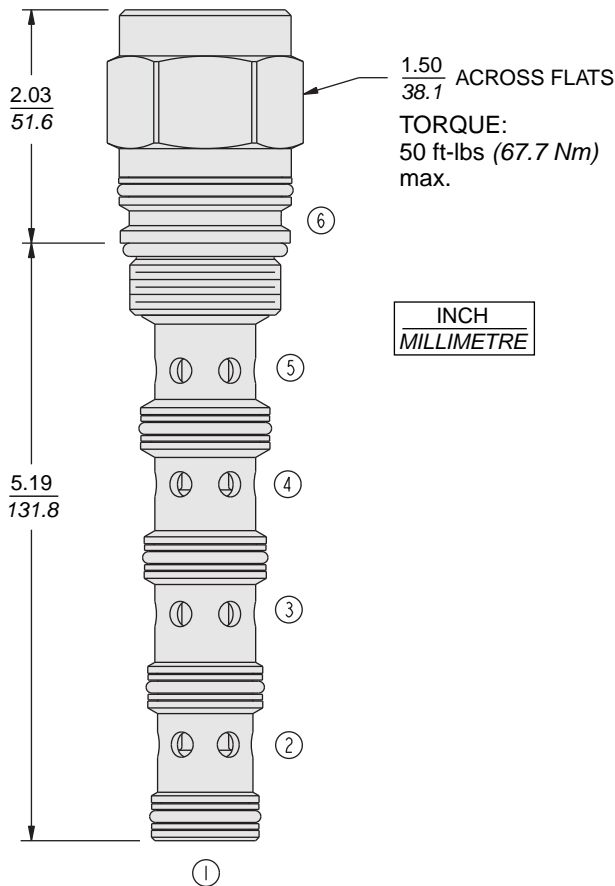
SYMBOL



PERFORMANCE (Cartridge Only)



DIMENSIONS



MATERIALS

Cartridge: Weight: 0.75 kg. (1.66 lbs.)
 Steel with hardened work surfaces.
 Zinc-plated exposed surfaces.
 Buna N O-rings and polyester elastomer back-ups standard.

Ported Body: Consult factory.

TO ORDER

