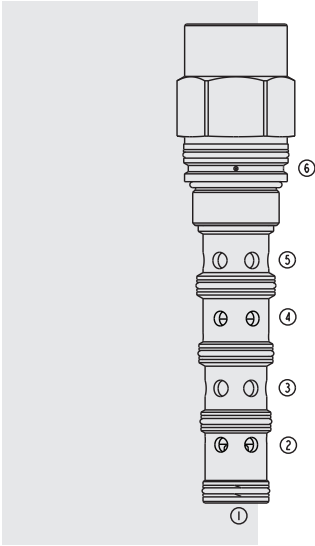


HPD16-S63 HyPerformance™ Piloted 4-Way Spool



DESCRIPTION

A high pressure, spool-type, screw-in, cartridge-style, pilot-operated, hydraulic directional valve.

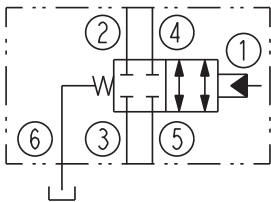
OPERATION

When in neutral the **HPD16-S63** blocks flow at all ports. On remote pilot signal at 1, the valve's spool shifts to allow flow between 2 and 3 and between ports 4 and 5 bidirectionally. The spring chamber is vented to the tank through port 6. The vented spring chamber allows the valve to be fully pressurized at ports 1, 2, 3, 4 and 5 without affecting required pilot pressure. Pressure at port 6 will increase the required pilot pressure at a 1:1 ratio.

FEATURES

- High pressure operation.
- Bidirectional operation.
- Optional sealed spool between ports 1 and 2.
- Hardened spool and cage for long life.
- All HyPerformance products are tested to the rigorous standards of NFPA specification T2.6.1.
- All HyPerformance products are tested at a verification level of 90% and an assurance of 99%.

ISO SYMBOL



RATINGS

Pressure Rating: 350 bar (5075 psi); 10% cycle life: 420 bar (6090 psi)
 Note: All HyPerformance™ products are tested for 900K cycles at 350 bar and 100K at 420 bar.

Proof Pressure: 690 bar (10000 psi)

Burst Pressure: 1380 bar (20000 psi)

Flow Rating: 152 lpm (40 gpm)

Maximum Internal Leakage: at 350 bar (5075 psi) with 32 cSt oil
 575 ml/minute (35 cu.in./min) - outlet at port 3, inlet at port 2 and 4
 410 ml/min (25 cu.in./min.) - outlet at port 5, inlet at port 4
 Pilot pressure 350 bar (5075 psi).

Cycle Life: One million cycles.

Temperature: -54 to 107°C (-65 to 225°F) with urethane seals

Filtration: See page 9.010.1

Fluids: Mineral-based or synthetics with lubricating properties at viscosities of 7.4 to 420 cSt (50 to 2000 sus); See Temperature and Oil Viscosity, page 9.060.1

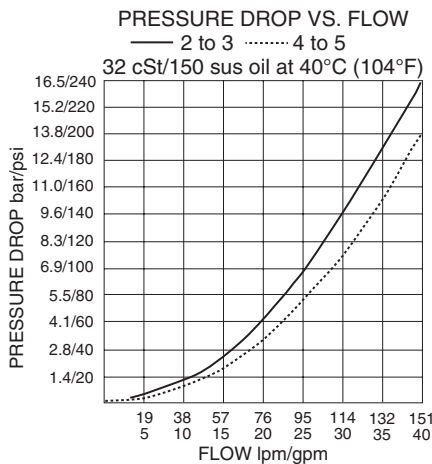
Installation: No restrictions; See page 9.020.1

Cavity: HVC16-S6; See page 9.116.1

Cavity Tool: HCT16-S6XX; See page 8.600.1

Seal Kit: HSK16-S6U-0000 (Urethane); See page 8.650.1

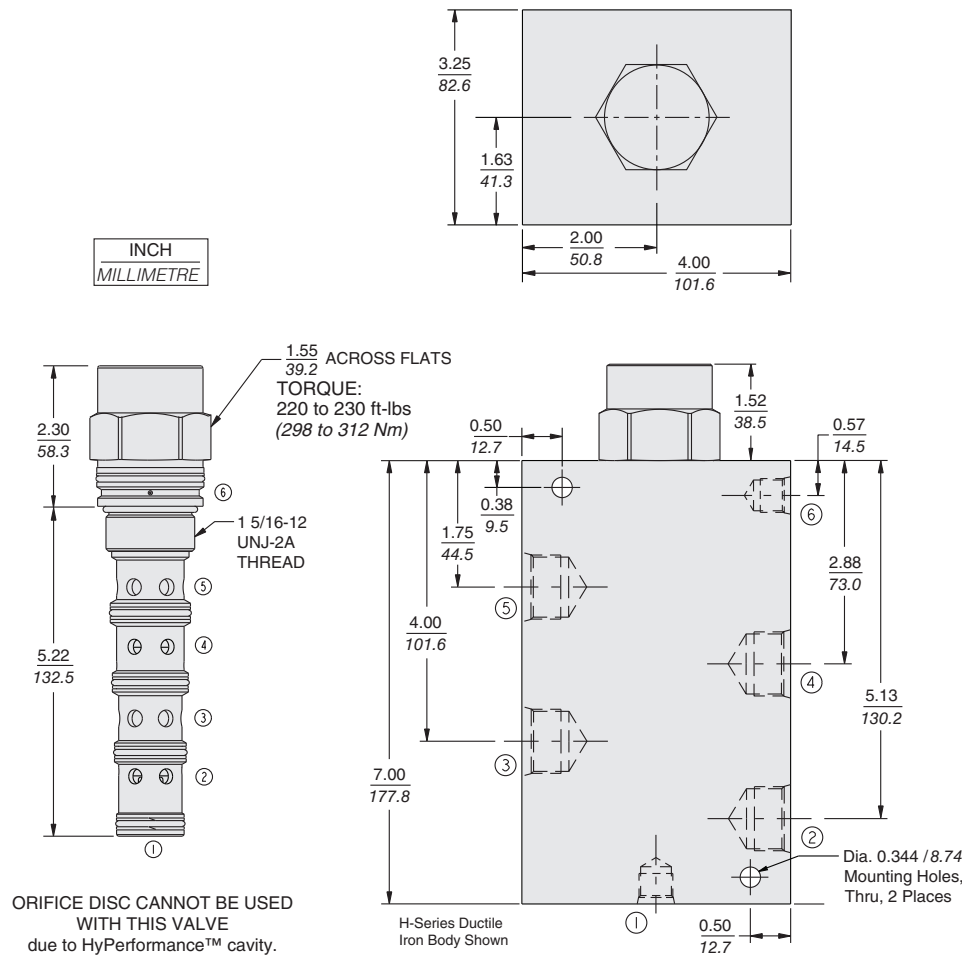
PERFORMANCE (Cartridge Only)



Bidirectional

HPD16-S63

DIMENSIONS



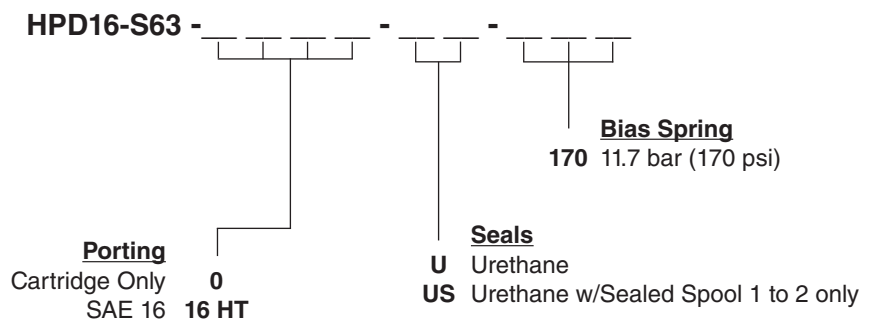
ORIFICE DISC CANNOT BE USED WITH THIS VALVE due to HyPerformance™ cavity.

MATERIALS

Cartridge: Weight: 0.9 kg (2.0 lb) Steel with hardened work surfaces. Zinc-plated exposed surfaces.

Ported Body: Weight 16.61 kg (36.62 lb). H-series ductile iron standard. Rated to 354 bar (5000 psi). Consult factory. See page 8.016.1

TO ORDER



Note: Urethane seals recommended for operating pressures above 241 bar (3500 psi). Consult factory for additional seal options.