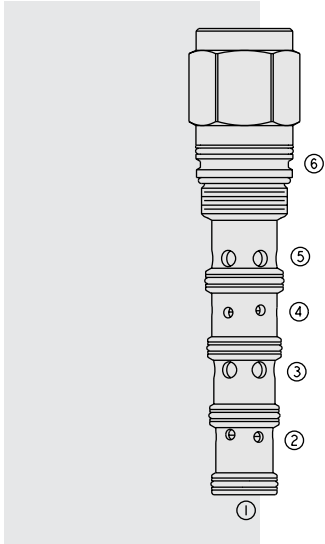


## PD42-S67B Piloted, 4-Way Spool-Type Valve



### DESCRIPTION

A screw-in, cartridge-style, pilot-operated spool-type hydraulic directional valve.

### OPERATION

When the **PD42-S67B** is in neutral position, flow is allowed between ports ②, ③ and ⑤. When the remote pilot signal at ① exceeds the force of the bias spring, the spool shifts to allow flow between ③ and ④, and between ② and ⑤. On remote pilot signal at ⑥, the spool shifts to allow flow between ③ and ②, and between ④ and ⑤.

### FEATURES

- Hardened spool and cage for long life.

### RATINGS

**Operating Pressure:** 324 bar (4700 psi) at ports ②, ③ and ④;

28 bar (400 psi) at ports ① and ⑥ with standard Buna N seals.

**Flow:** 0–189 lpm (0–50 gpm); See Performance Chart

**Temperature:** -40 to 120°C with Buna N seals

**Filtration:** See page 9.010.1

**Fluids:** Mineral-based or synthetics with lubricating properties at viscosities of

7.4 to 420 cSt (50 to 2000 sus); See Temperature and Oil Viscosity, page 9.060.1

**Installation:** No restrictions; See page 9.020.1

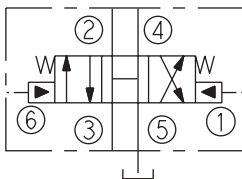
**Cavity:** VC42-S6; See page 9.142.1

**Cavity Tool:** CT42-S6X; See page 8.600.1

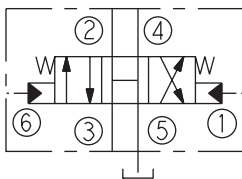
**Seal Kit:** SK42-S6X-BMMMM; See page 8.650.1

### SYMBOLS

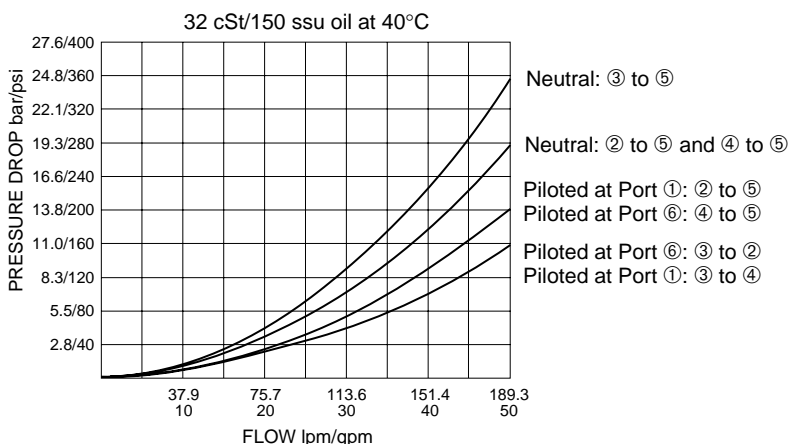
#### USASI:



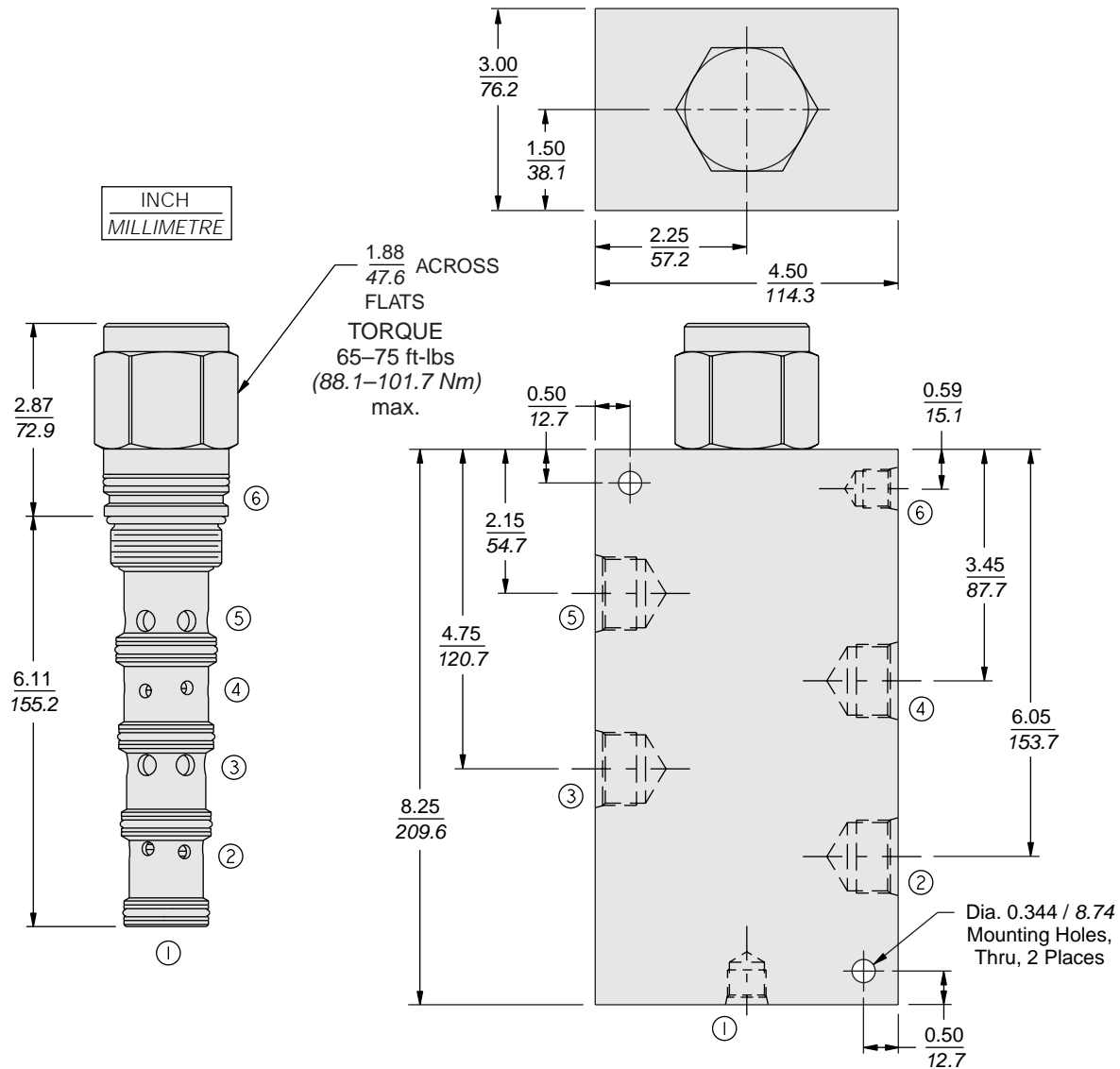
#### ISO:



### PERFORMANCE (Cartridge Only)



**DIMENSIONS**



**MATERIALS**

**Cartridge:** Weight: 0.76 kg. (1.68 lbs.)  
Steel with hardened work surfaces.  
Zinc-plated exposed surfaces.  
Buna N O-rings and polyester  
elastomer back-ups standard.

**Ported Body:** Ductile Iron,  
Rated to 345 bar (5000 psi).  
See page 8.042.1

**TO ORDER**

PD42-S67B - - -170<sup>‡</sup>

**Porting**  
Cartridge Only **0**  
SAE 12 **12TD**  
SAE 16 **16TD**  
SAE 20 **20TD**  
\*3/4 in. BSP **6BD**  
\*1 in. BSP **8BD**  
\*1-1/4 in. BSP **10BD**  
\*BSP Body; U.K. Mfr. Only

\*170 psi (11.7 bar) bias spring  
standard. Optional bias springs  
considered on OEM request.

**Seals**  
**N** Buna N (Std.)  
**P** Polyurethane (Required for pressures  
over 240 bar/3500 psi)  
**V** Fluorocarbon