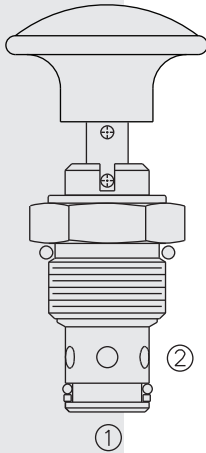


MP10-21 Manual, Pull-to-Open, Push-to-Close



DESCRIPTION

A manual, 2-way, pull-to-open, push-to-close, screw-in hydraulic directional valve.

OPERATION

The MP10-21 blocks flow from 2 to 1 until an operator pulls the shaft outward.

FEATURES

- Hardened seat for long life and low leakage.
- Industry common cavity.

RATINGS

Pressure Rating: 207 bar (3000 psi)

Flow Rating: 56.8 lpm (15 gpm)

Internal Leakage: 0.25 cc/minute (5 drops/minute) max. at 207 bar (3000 psi)

Mechanical Pull Effort Required at Rated Pressure: 7.3 kg. (16 lbs.)

Operating Temperature: -40 to 100°C (-40° to 212°F) with standard Buna N seals

-26 to 204°C (-15°F to 400°F) with fluorocarbon seals

-54 to 107°C (-65°F to 225°F) with polyurethane seals

Filtration: See page 9.010.1

Fluids: Mineral-based or synthetics with lubricating properties at viscosities of 7.4 to 420 cSt (50 to 2000 sus); See Temperature and Oil Viscosity, page 9.060.1

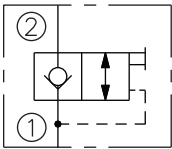
Installation: No restrictions; See page 9.020.1

Cavity: VC10-2; See page 9.110.1

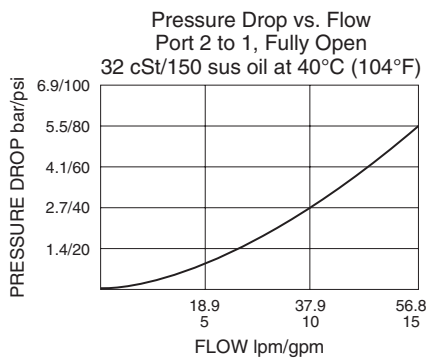
Cavity Tool: CT10-2XX; See page 8.600.1

Seal Kit: SK10-2X-T; See page 8.650.1

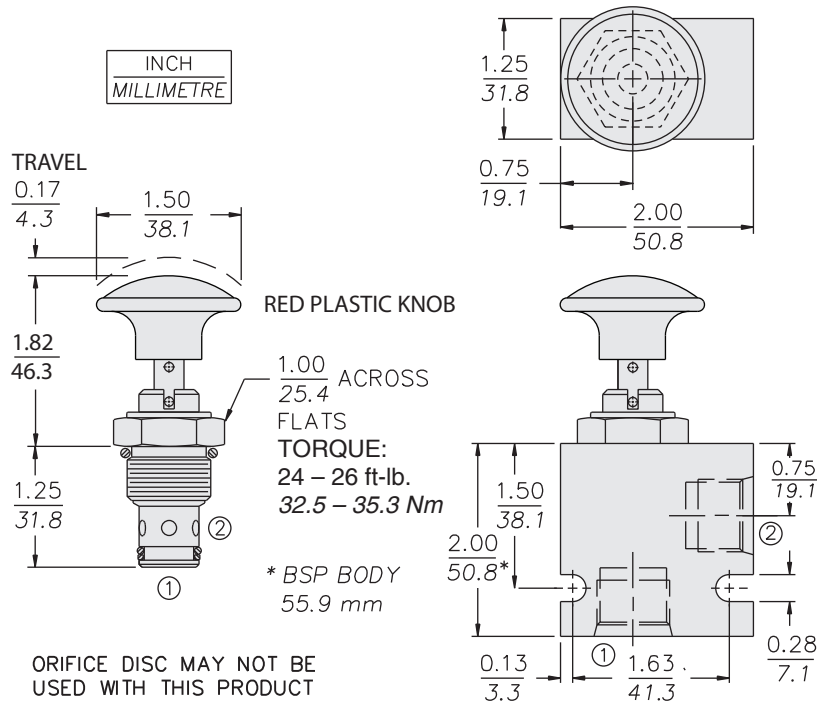
ISO SYMBOL



PERFORMANCE (Cartridge Only)



DIMENSIONS



MATERIALS

Cartridge: Weight: 0.11 kg. (0.25 lbs.)
Steel with hardened work surfaces.
Zinc-plated exposed surfaces.
Buna N O-rings and polyester
elastomer back-ups standard.
Plastic knob optional.

Standard Ported Body: Weight:
0.16 kg. (0.35 lbs.) Anodized high-
strength aluminum alloy, rated to
207 bar (3000 psi). Ductile iron
bodies available; dimensions may
differ. See page 8.010.1.

TO ORDER

