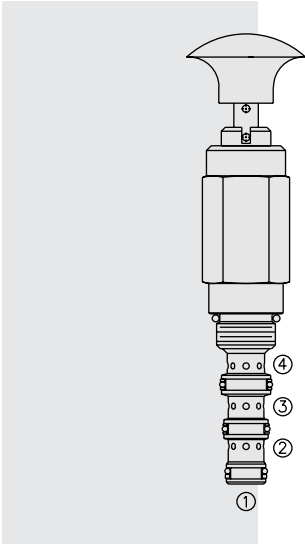


MP08-40 Manual, Spring Return, Pull-to-Shift



DESCRIPTION

A 4-way, manual, pull-to-shift, spring-return, directional hydraulic cartridge valve. Series operation is prohibited due to the tank port (1) pressure rating.

OPERATION

In its steady-state, spring-offset position, the **MP08-40** directs flow from 3 to 2, and from 4 to 1.

In the actuated (pulled) position, the cartridge directs flow from 3 to 4, and from 2 to 1. The spring chamber is vented at 1.

Note: Pressure at port 1 will directly act on the spool and spring. Port 1 is intended to be a tank port only.

A unique pull-and-rotate feature for holding the positive actuated position is optional. A 90° rotation is required to position at the hold slot. The valve resets to spring-return de-actuated with a slight pull and a 90° turn from the locked actuated position.

FEATURES

- Hardened spool and cage for long life.
- Pressure to 14 bar (200 psi) on 1.
- Optional rotational lock position.
- Compact size.

RATINGS

Operating Pressure:

- On 2, 3 and 4: 240 bar (3500 psi)
- On 1 (Max.): 14 bar (200 psi)

Proof Pressure: 350 bar (5075 psi)

Flow: See Performance Chart

Internal Leakage: 82 cc/minute (5 cu. in./minute) max.

Mechanical Pull Effort Required: 7.7 kg. (17 lbs.) installed; 8.6 kg. (19 lbs.) to travel 3.2 mm (0.125 in.); 9.1 kg. (20 lbs.) to detent

Temperature: -40 to 120°C

Filtration: See page 9.010.1

Fluids: Mineral-based or synthetics with lubricating properties at viscosities of 7.4 to 420 cSt (50 to 2000 sus); See Temperature and Oil Viscosity, page 9.060.1

Installation: No restrictions; See page 9.020.1

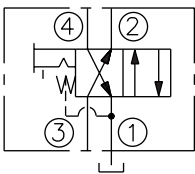
Cavity: VC08-4; See page 9.108.1

Cavity Tool: CT08-4XX; See page 8.600.1

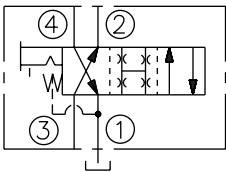
Seal Kit: SK08-4X-MMT; See page 8.650.1

SYMBOLS

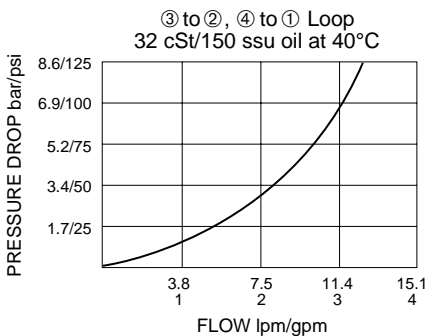
USASI/ISO:



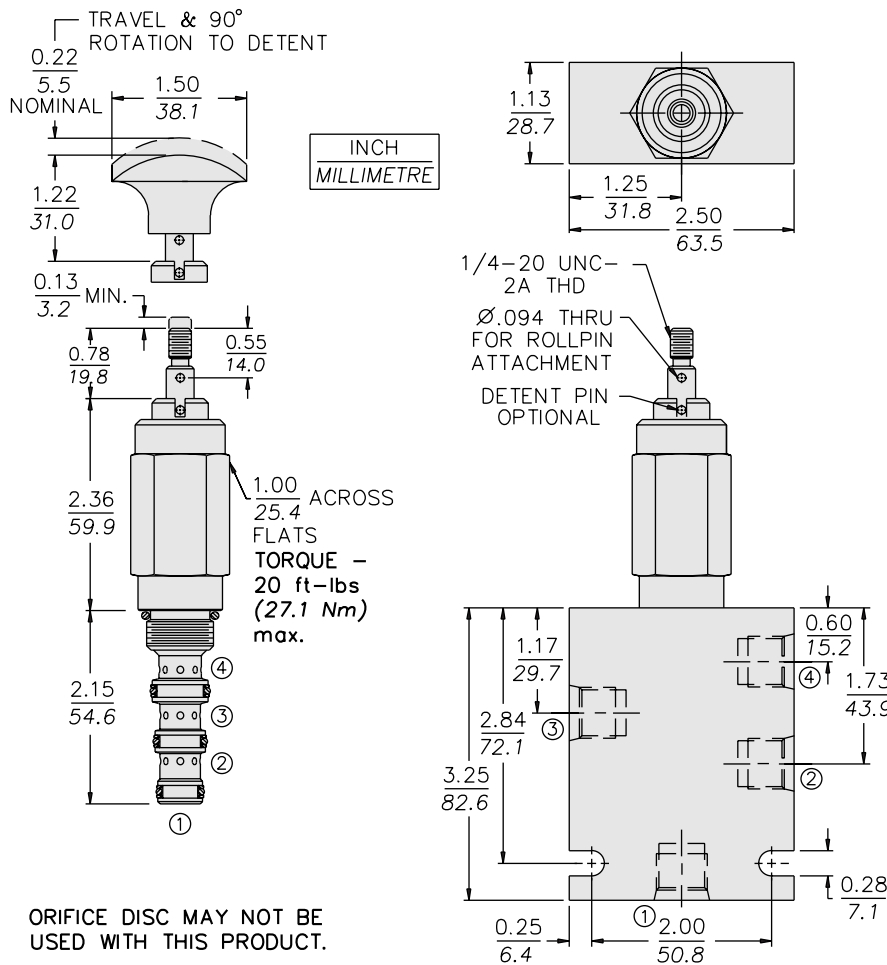
TRANSITION:



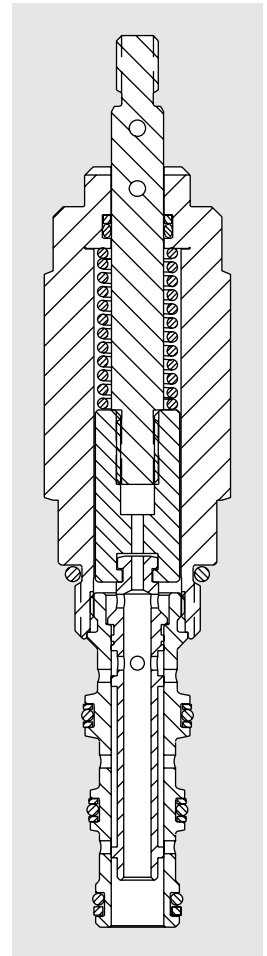
PERFORMANCE (Cartridge Only)



DIMENSIONS



ORIFICE DISC MAY NOT BE USED WITH THIS PRODUCT.



MATERIALS

Cartridge: Weight: 0.25 kg. (0.55 lbs.)
Steel with hardened work surfaces.
Zinc-plated exposed surfaces.
Buna N O-rings and back-ups standard. Plastic knob optional.

Standard Ported Body: Weight: 0.18 kg. (0.40 lbs.) Anodized high-strength 6061 T6 aluminum alloy, rated to 207 bar (3000 psi). Ductile iron bodies available; dimensions may differ. See page 8.008.1

TO ORDER

