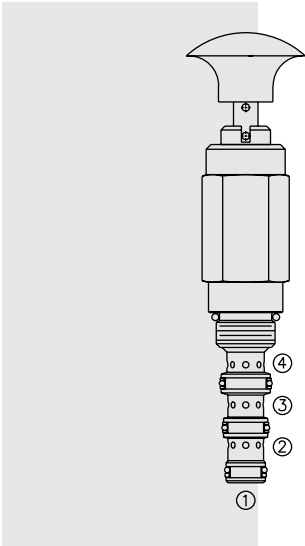


## MP08-41 Manual, Spring Return, Pull-to-Shift



### DESCRIPTION

A 4-way, manual, pull-to-shift, spring-return, directional hydraulic cartridge valve. Series operation is prohibited due to the tank port (1) pressure rating.

### OPERATION

In its steady-state, spring-offset position, the **MP08-41** blocks flow in all directions. In the actuated (pulled) position, the cartridge directs flow from 3 to 4, and from 2 to 1. The spring chamber is vented at 1.

**Note: Pressure at port 1 will directly act on the spool and spring. Port 1 is intended to be a tank port only.**

A unique pull-and-rotate feature for holding the positive actuated position is optional. A 90° rotation is required to position at the hold slot. The valve resets to spring-return de-actuated with a slight pull and a 90° turn from the locked actuated position.

### FEATURES

- Hardened spool and cage for long life.
- Pressure to 14 bar (200 psi) on 1.
- Optional rotational lock position.
- Compact size.

### RATINGS

#### Operating Pressure:

- On 2, 3 and 4: 240 bar (3500 psi)
- On 1 (Max.): 14 bar (200 psi)

**Proof Pressure:** 350 bar (5075 psi)

**Flow:** See Performance Chart

**Internal Leakage:** 82 cc/minute (5 cu. in./minute) max.

**Mechanical Pull Effort Required:** 7.7 kg. (17 lbs.) installed; 8.6 kg. (19 lbs.) to travel 3.2 mm (0.125 in.); 7.1 kg. (20 lbs.) to detent

**Temperature:** -40 to 120°C

**Filtration:** See page 9.010.1

**Fluids:** Mineral-based or synthetics with lubricating properties at viscosities of 7.4 to 420 cSt (50 to 2000 sus); See Temperature and Oil Viscosity, page 9.060.1

**Installation:** No restrictions; See page 9.020.1

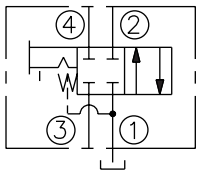
**Cavity:** VC08-4; See page 9.108.1

**Cavity Tool:** CT08-4XX; See page 8.600.1

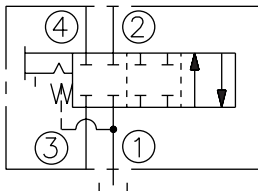
**Seal Kit:** SK08-4-MMT; See page 8.650.1

### SYMBOLS

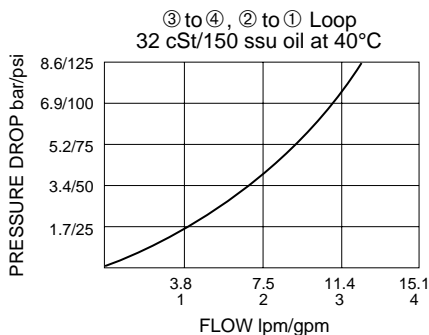
#### USASI/ISO:



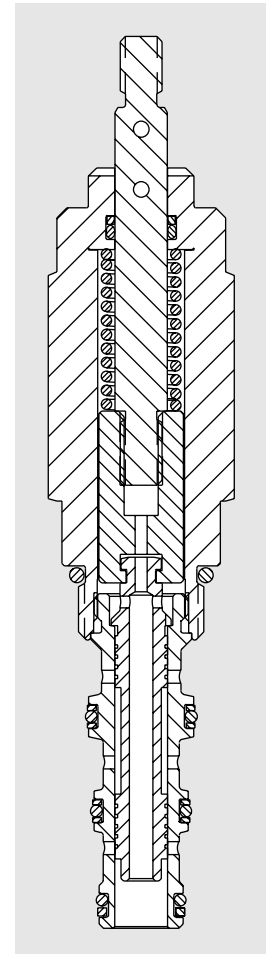
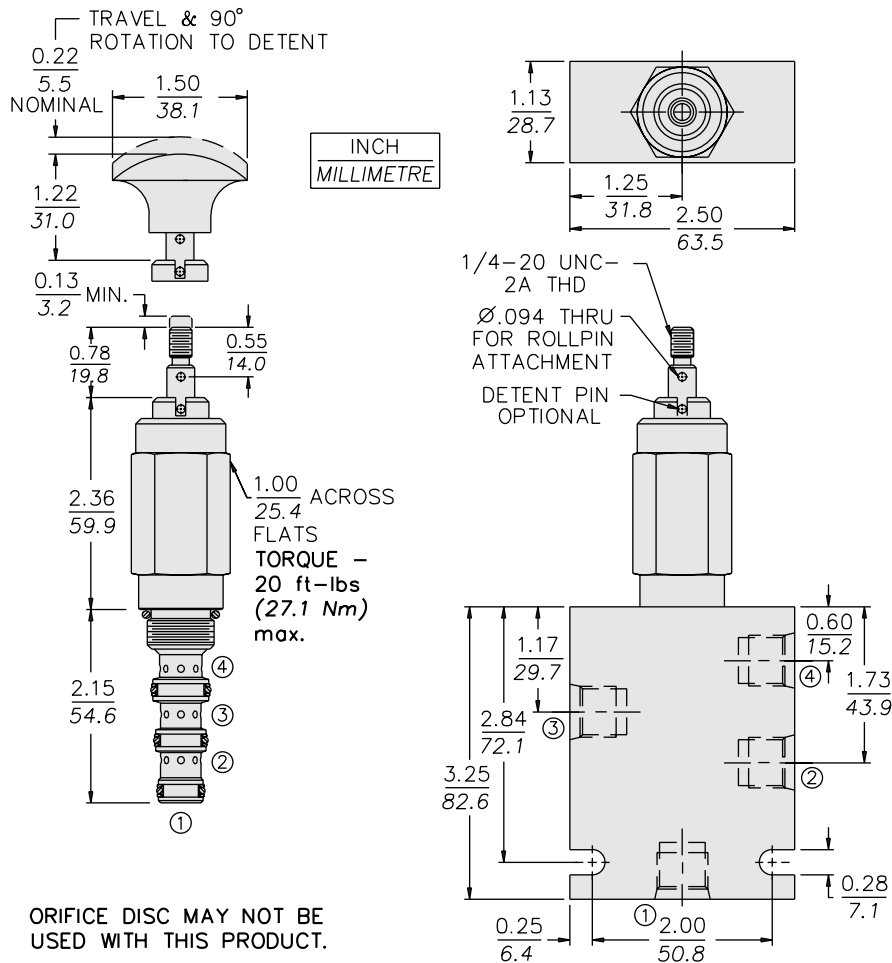
#### TRANSITION:



### PERFORMANCE (Cartridge Only)



**DIMENSIONS**



**MATERIALS**

**Cartridge:** Weight: 0.25 kg. (0.55 lbs.)  
Steel with hardened work surfaces.  
Zinc-plated exposed surfaces.  
Buna N O-rings and back-ups standard. Plastic knob optional.

**Standard Ported Body:** Weight: 0.18 kg. (0.40 lbs.) Anodized high-strength 6061 T6 aluminum alloy, rated to 207 bar (3000 psi). Ductile iron bodies available; dimensions may differ. See page 8.008.1.

**TO ORDER**

