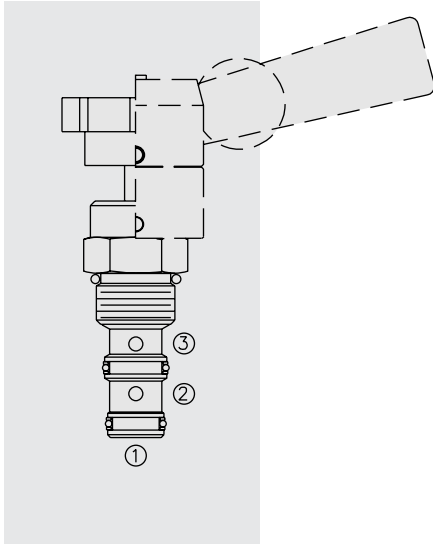


## MR10-31 Manual Rotary 3-Way, 2-Pos. Directional Valve



### DESCRIPTION

A manually-operated three-way, two-position directional valve with adaptability to a variety of adjustment operators (ordered separately).

### OPERATION

Rotation of 90°, 2-position. In extreme counterclockwise position, ports ① and ② are open while port ③ is closed. In extreme clockwise position, ports ① and ③ are open while port ② is closed. All ports are closed in transition.

### FEATURES

- Two-position detent or infinite friction lock ordered separately.
- May be fully pressurized at all ports.
- Optional lock-down bracket.
- Heavy-duty construction.
- Industry common cavity.

### RATINGS

**Operating Pressure:** 240 bar (3500 psi)

**Max. Flow:** See Performance Chart

**Internal Leakage:** 164 cc/min. (10 cu. in./min.) at 240 bar (3500 psi)

**Temperature:** -40 to 120°C with standard Buna N seals

**Spring Return Option:** Returns clockwise

**Fluids:** Mineral-based or synthetics with lubricating properties at viscosities of 7.4 to 420 cSt (50 to 2000 sus); See Temperature and Oil Viscosity, page 9.060.1

**Installation:** No position restrictions; See page 9.020.1

See page 4.990.2 for operator handles/knobs installation;

See page 4.990.1 for lock-down bracket installation.

**Cavity:** VC10-3; See page 9.110.1

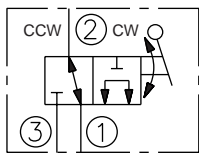
**Cavity Tool:** CT10-3XX; See page 8.600.1

**Seal Kit:** SK10-3X-MM; See page 8.650.1

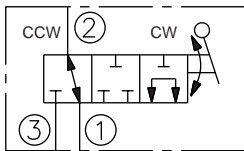
**Lock-Down Bracket Kit:** Part Number 5399000

### SYMBOLS

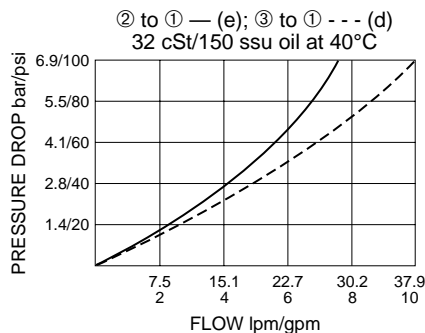
#### USASI/ISO:



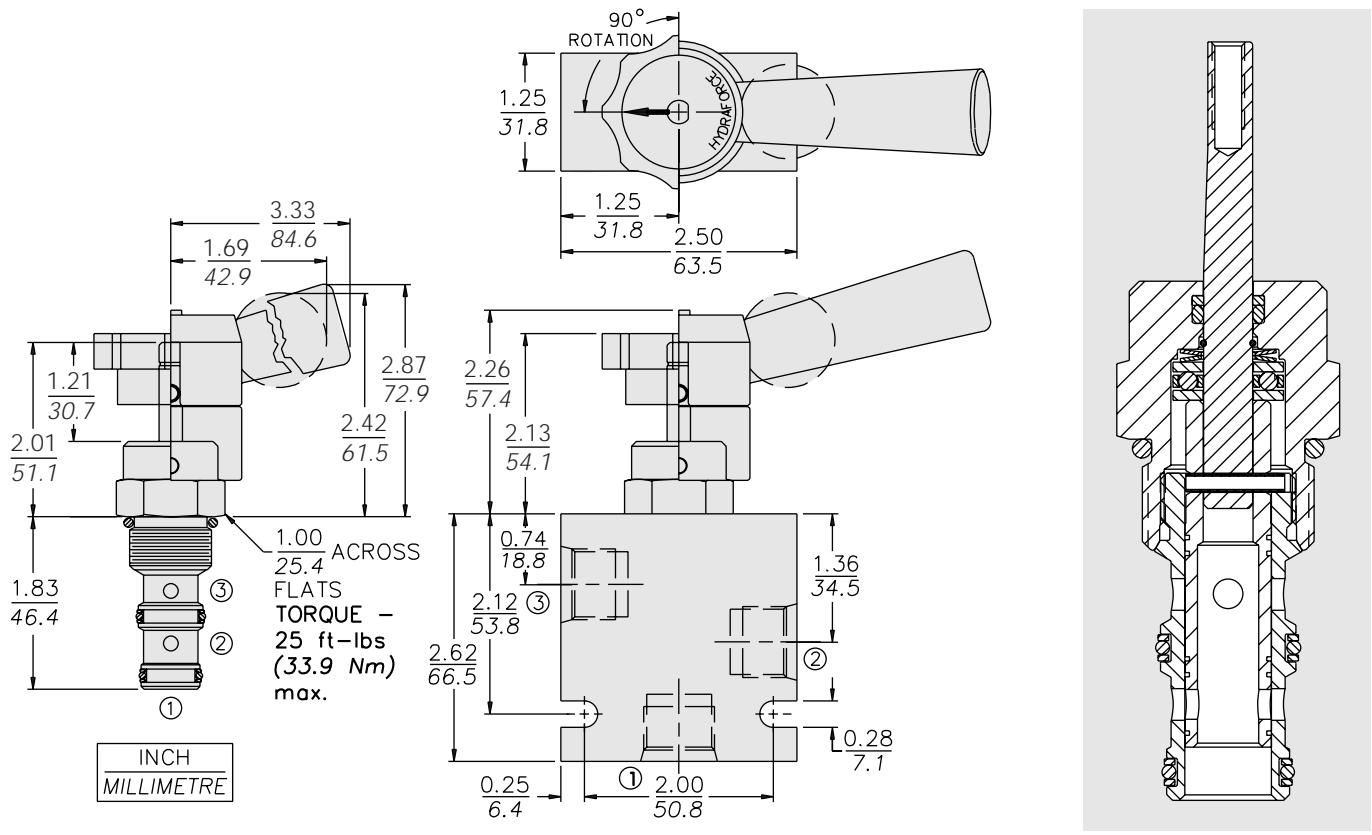
#### TRANSITION:



### PERFORMANCE (Cartridge Only)



**DIMENSIONS**



**MATERIALS**

**Cartridge:** Weight: 0.12 kg. (0.27 lbs.)  
Steel with hardened work surfaces.  
Zinc-plated exposed surfaces.  
Buna N O-rings and Fluorocarbon back-ups standard.

**Standard Ported Body:** Weight:  
0.27 kg. (0.60 lbs.) Anodized high-strength 6061 T6 aluminum alloy, rated to 207 bar (3000 psi). Ductile iron bodies available; dimensions may differ. See page 8.010.1

**Lever-Type Handle:** (Sold Separately)  
Weight: 0.18 kg. (0.38 lbs.) Steel with hardened work surfaces. Zinc-plated exposed surfaces. Plastic lever arm.

**TO ORDER**

<b>MR10-31</b>		-	-	-
<b>Option</b>	None (Blank)			
<b>Seals</b>	N Buna N (Std.)	V Fluorocarbon		
<b>Porting</b>	Cartridge Only	0		
	SAE 6	6T		
	SAE 8	8T		
	SAE 8 with Lock-Down Bracket	8TL		
	1/4 in. BSP*	2B		
	3/8 in. BSP*	3B		
	*BSP Body; U.K. Mfr. Only			

NOTE: To order standard operator kits, refer to pages 4.770.1 and 4.770.2