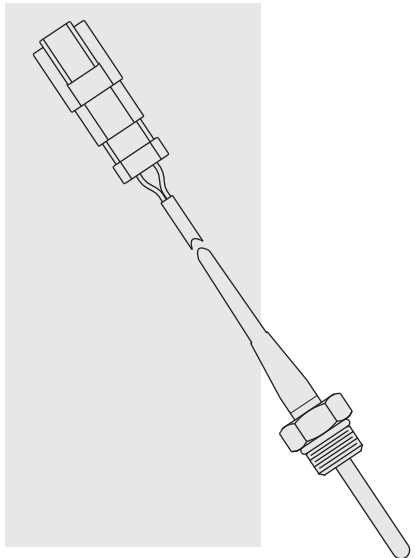


# Thermistor Temperature Sensor

Model ERT120



## DESCRIPTION

A thermistor style heavy-duty analog temperature sensor with a padded resistor for improved linearity of the input curve. This steady-state sensor is intended for use in demanding industrial and off-highway equipment applications.

## FEATURES

- Thermistor technology for low cost and reliability.
- Rugged design for durability in harsh conditions.
- Pigtail with connector for installation in tight places.
- Stainless steel body.

## RATINGS

### PERFORMANCE:

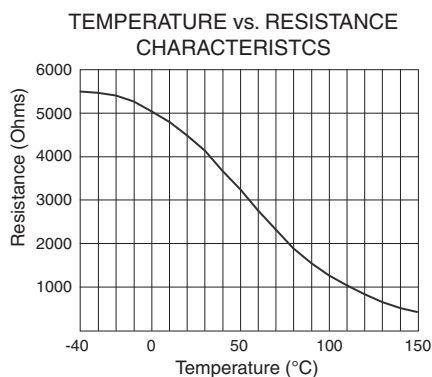
**Sensing Temperature:** - 40°C to 150°C (- 40°F to 300°F)  
**Output Signal:** 5427.9 to 436.3 ohms  
**Accuracy:** ±2°C from 30° to 70°C  
**Sense Current:** <10 mA at 25°C  
**Response Time 10% to 90%:** <30 sec.  
**Nominal Output at 25°C:** 4.3K ohms

### INSTALLATION REQUIREMENTS:

**Electrical Connection:** Pigtail with Deutsch DTM04-2P  
**Mating Connector:** Deutsch DTM06-2S  
**Port Size:** SAE #6  
**Torque:** 48 ±5 Nm (35 ±3.5 ft.-lb.)

### ENVIRONMENTAL RATINGS:

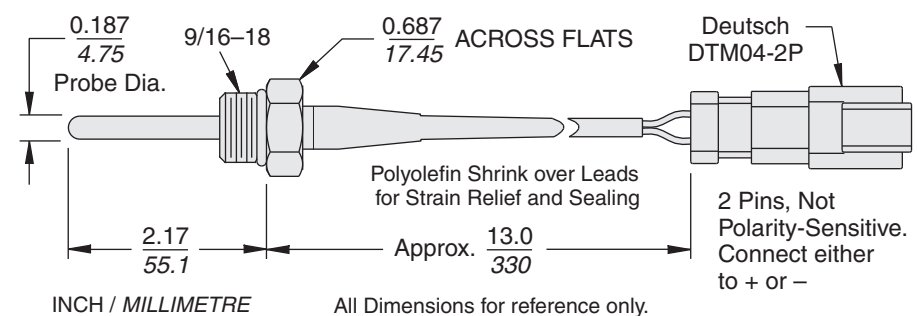
**Operating Pressure:** 10 bar (145 psi) maximum  
**Vibration:** 20 grms (20 Hz to 20 KHz)  
**Weather Rating:** IP67  
**O-Ring Material:** Fluorocarbon  
**Short Circuit Protection:** Short to +Batt may cause failure of the probe  
**Error Handling:** Will sense open or short (>7K ohms or <400 ohms)



### Resistance of Thermistor at Key Temperature Points

Temp °C	Resistance (Ohms)
-40°	5427.9
-30°	5380.8
-20°	5305.4
-10°	5190.3
0°	5022.5
10°	4790.2
20°	4485.7
30°	4112.4
40°	3682.4
50°	3219.7
60°	2752.5
70°	2307.3
80°	1904.5
90°	1554.2
100°	1259.0
110°	1016.2
120°	819.7
130°	662.0
140°	536.3
150°	436.3

## DIMENSIONS



## TO ORDER

**Temperature Sensor** Model: ERT120-R-LD-06 Part No. 4206200  
**Mating Connector Kit** Deutsch Model: DTM06-2S HF Part No. 4001970