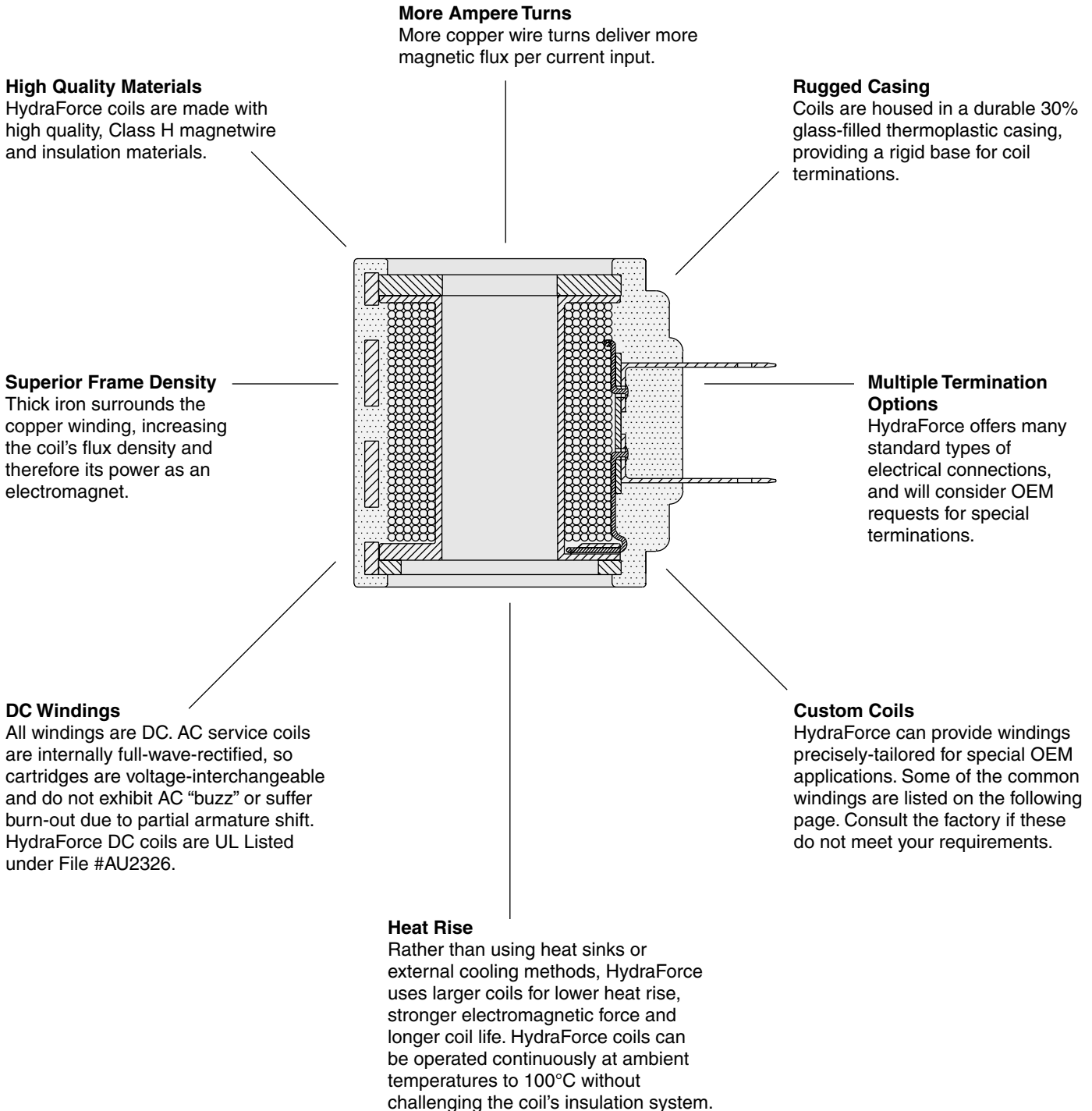


## Standard Coils and Proportional Valve Coils

### WHY HYDRAFORCE STANDARD COILS OUTPERFORM COMPETITIVE UNITS



Note: Some coils may differ in construction from this illustration.

# Standard Coils and Proportional Valve Coils

## COMMON WINDING SPECIFICATIONS

| 08, 80 Size Coil Data<br>(14.7 Watts) |                                   |                                 |
|---------------------------------------|-----------------------------------|---------------------------------|
| Volts                                 | Resistance<br>(DC) @ 20°C<br>Ohms | Initial<br>Current Draw<br>Amps |
| <b>DC Service</b>                     |                                   |                                 |
| 6*                                    | 2.46                              | 2.44                            |
| 10                                    | 6.8                               | 1.47                            |
| 12                                    | 9.8                               | 1.22                            |
| 20*                                   | 27.2                              | 0.74                            |
| 24                                    | 39.3                              | 0.61                            |
| 30*                                   | 61.4                              | 0.49                            |
| 36                                    | 88.3                              | 0.41                            |
| 48                                    | 156.6                             | 0.31                            |
| 72*                                   | 352.4                             | 0.20                            |
| <b>AC Service</b>                     |                                   |                                 |
| 24                                    | 31.2                              | 0.61                            |
| 115                                   | 765.5                             | 0.13                            |
| 230                                   | 3035.0                            | 0.06                            |

\*Special Order Coils

| 10, 38, 58, 12, 52, 16, 56 Size<br>Coil Data (20 Watts) |                                   |                                 |
|---|-----------------------------------|---------------------------------|
| Volts   | Resistance<br>(DC) @ 20°C<br>Ohms | Initial<br>Current Draw<br>Amps |
| <b>DC Service</b>                                       |                                   |                                 |
| 6*  | 1.8                               | 3.33                            |
| 10  | 4.8                               | 2.08                            |
| 12  | 7.2                               | 1.67                            |
| 20*   | 19.0                              | 1.05                            |
| 24  | 28.8                              | 0.83                            |
| 30*   | 43.2                              | 0.69                            |
| 36  | 64.8                              | 0.56                            |
| 48  | 110.2                             | 0.44                            |
| 72*   | 249.8                             | 0.29                            |
| <b>AC Service</b>                                       |                                   |                                 |
| 24  | 23.6                              | 0.83                            |
| 115   | 568.0                             | 0.17                            |
| 230   | 2304.0                            | 0.09                            |

\*Special Order Coils

| 70 Size Coil Data<br>Proportional Coil Data |                                   |  |
|---|-----------------------------------|--|
| Volts                                       | Resistance<br>(DC) @ 20°C<br>Ohms | Nominal I-Max.<br>Current Draw<br>Amps |
| 12  | 5.0                               | 1.50                                   |
| 24  | 20.0                              | 0.75                                   |

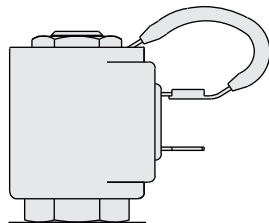
| EHPR Coil Data<br>Proportional Coil Data |                                   |  |
|--|-----------------------------------|--|
| Volts                                    | Resistance<br>(DC) @ 20°C<br>Ohms | Nominal I-Max.<br>Current Draw<br>Amps |
| 10                                       | 3.1                               | 1.50                                   |
| 12                                       | 5.4                               | 1.20                                   |
| 20                                       | 12.5                              | 0.75                                   |
| 24                                       | 21.7                              | 0.60                                   |

## COIL INFORMATION

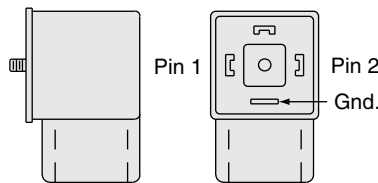
- AC service coils are internally rectified, and can be used in 50 or 60 cycle (Hz) lines.
- Special voltages and terminations are available for OEM applications; consult factory.
- Coil should always be installed with lettering facing up.
- Standard coils are not hermetically sealed. For applications requiring water- or weather-resistant coils, see page 3.400.1
- AC voltage service with transient surges over 1000 volts may require that a varistor be placed in parallel at the coil.
- EG option coils do not use ground terminal. Pins 1 and 2 are not polarity-sensitive.

| Voltage | Varistor Part No.                                  | Joule Rating Required |
|---------|--|-----------------------|
| 115     | GE: V150LA10A<br>Siemens: S10R150<br>or equivalent | 45 minimum            |
| 230     | GE: V250LA40A<br>Siemens: S20R250<br>or equivalent | 130 minimum           |

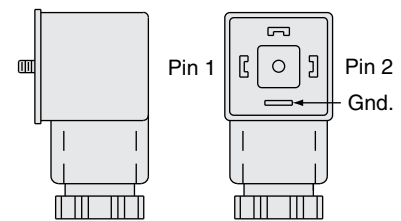
## COIL ACCESSORIES



**Coil Ground Strap  
for DS Coils**  
HF Part No. 6502200



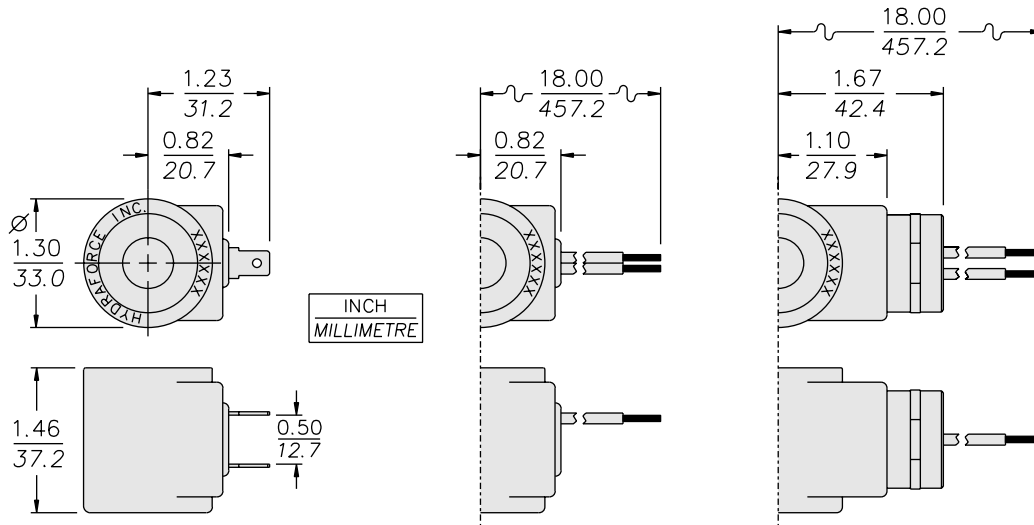
**DIN 43650  
1/2" Conduit to Connector**  
HF Part No. 6110001



**DIN 43650  
Cable Gland PG 9**  
(7 mm nominal cable diameter)  
HF Part No. 6110002  
**or** Cable Gland PG 11  
(9 mm nominal cable diameter)  
HF Part No. 6110005

## Standard Coils and Proportional Valve Coils

### SERIES 08, 80, 88, 98 COIL INFORMATION



**S**  
Dual Spades  
SAE J858a

[Coil 08\\_DS STP Files](#)

**L**  
Dual Leads  
18 Gauge  
Optional 36-inch leads  
available. Consult factory.

[Coil 08\\_DL STP Files](#)

**P**  
1/2" Conduit &  
18 Gauge Leads

[Coil 08\\_AP STP Files](#)

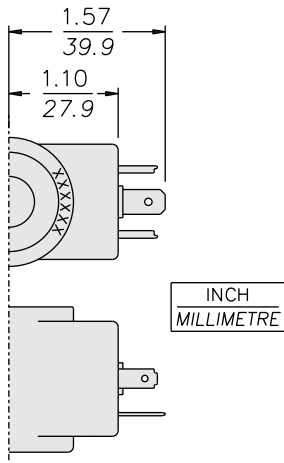
| Voltage  | Part Number Suffix |         |         |
|----------|--------------------|---------|---------|
|          | S                  | L       | P       |
| 10 VDC   | 6301010            | 6302010 |         |
| 12 VDC   | 6301012            | 6302012 | 6305012 |
| 24 VDC   | 6301024            | 6302024 | 6305024 |
| 36 VDC   | 6301036            | 6302036 |         |
| *24 VAC  |                    |         | 6315024 |
| *115 VAC |                    |         | 6315115 |
| *230 VAC |                    |         | 6315230 |

\*Rectified

Coil Weight: 110 g. (4.0 oz.)

# Standard Coils and Proportional Valve Coils

## SERIES 08, 80, 88, 98 COIL INFORMATION

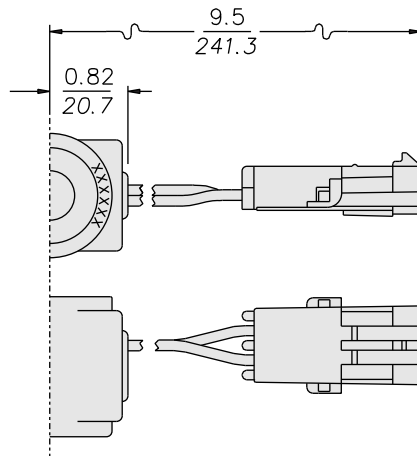


**G**

**DIN 43650 Connector**

Pins 1 and 2 are not polarity-sensitive. Ground pin is not used.

[Coil 08\\_DG STP Files](#)

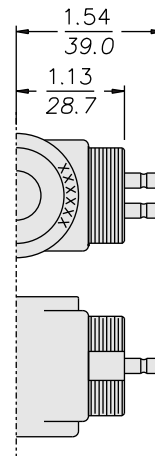


**W**

**Dual 18 Gauge Leads with Weather Pack® Connector**

For use with Packard part no. 12015792 female plug

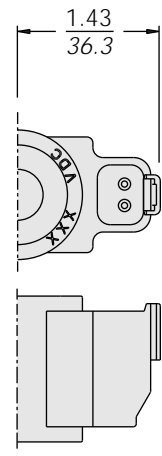
[Coil 08\\_DLW STP Files](#)



**K**

**Kostal Connector**

DK Coils; U.K. availability only.



**DR**

**Integral Deutsch Connector**

DR Models without Diode  
DR/D Models with Diode  
DR/Z Models with Zener Diode

**Mating Connector:**  
Deutsch No. DT06-2S  
HF Part No. 4001417

[Coil 08\\_DR STP Files](#)

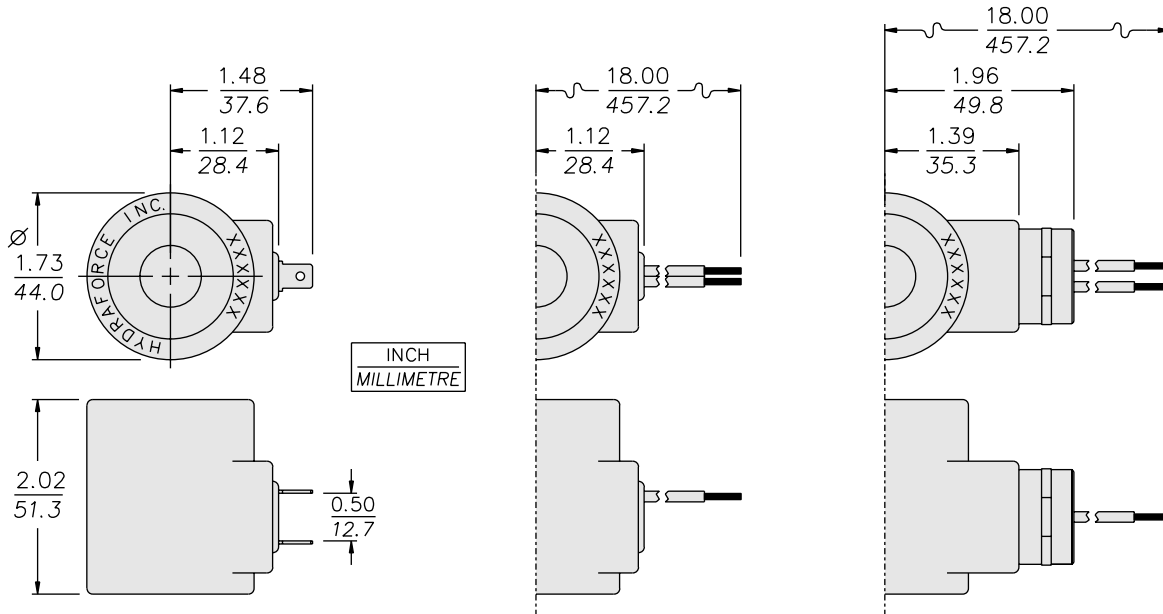
| Voltage  | Part Number Suffix |         |         |         |         |         |
|----------|--------------------|---------|---------|---------|---------|---------|
|          | G                  | W       | K       | DR      | DR/D    | DR/Z    |
| 10 VDC   | 6306010            | 6309410 |         |         |         |         |
| 12 VDC   | 6306012            | 6309412 | 6348812 | 4301512 | 4301872 | 4301852 |
| 24 VDC   | 6306024            | 6309424 | 6348824 | 4301524 | 4301874 | 4301854 |
| 36 VDC   | 6306036            | 6309436 |         |         |         |         |
| *24 VAC  | 6316024            |         |         |         |         |         |
| *115 VAC | 6316115            |         |         |         |         |         |
| *230 VAC | 6316230            |         |         |         |         |         |

\*Rectified

Coil Weight: 110 g. (4.0 oz.)

**Standard Coils and Proportional Valve Coils**

**SERIES 10, 12, 16, 38, 58 COIL INFORMATION**



**S**  
Dual Spades  
SAE J858a

[Coil\\_10\\_DS STP Files](#)

**L**  
Dual Leads  
18 Gauge

Optional 36-inch leads available. Consult factory.

[Coil\\_10\\_DL STP Files](#)

**P**  
1/2" Conduit &  
18 Gauge Leads

[Coil\\_10\\_AP STP Files](#)

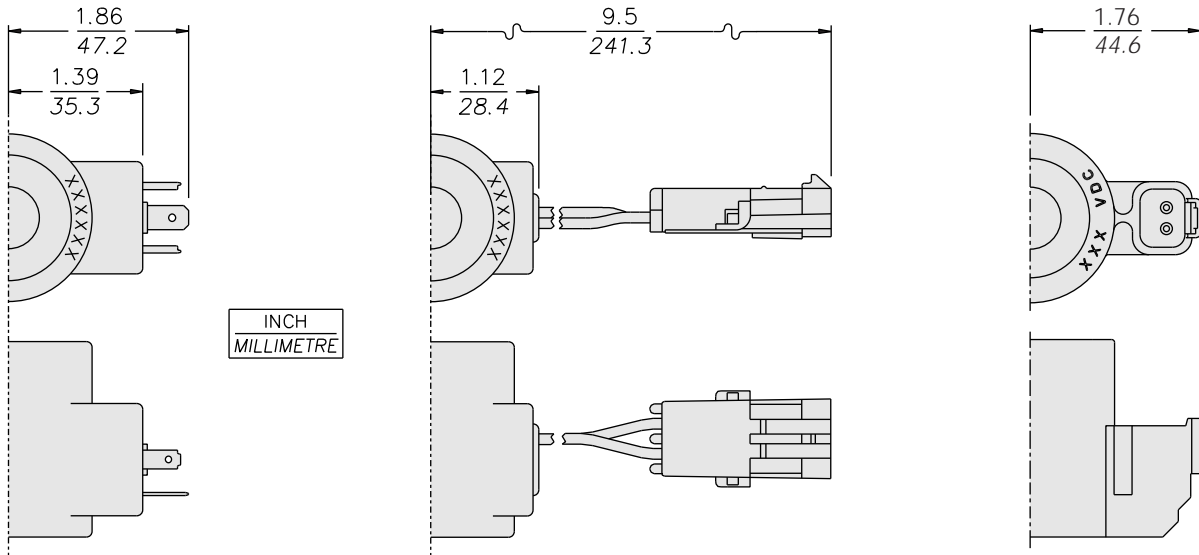
| Voltage  | Part Number Suffix |         |         |
|----------|--------------------|---------|---------|
|          | S                  | L       | P       |
| 10 VDC   | 6351010            | 6352010 |         |
| 12 VDC   | 6351012            | 6352012 | 6355012 |
| 24 VDC   | 6351024            | 6352024 | 6355024 |
| 36 VDC   | 6351036            | 6352036 |         |
| *24 VAC  |                    |         | 6365024 |
| *115 VAC |                    |         | 6365115 |
| *230 VAC |                    |         | 6365230 |

\*Rectified

Coil Weight: 270 g. (9.6 oz.)

# Standard Coils and Proportional Valve Coils

## SERIES 10, 12, 16, 38, 58 COIL INFORMATION



**G**

**DIN 43650  
Connector**

Pins 1 and 2 are not  
polarity-sensitive.  
Ground pin is not used.

[Coil 10\\_DG STP Files](#)

**W**

**Dual 18 Gauge Leads with  
Weather Pack® Connector**

For use with Packard  
part no. 12015792 female plug

[Coil 10\\_DLW STP Files](#)

**DR**

**Integral Deutsch  
Connector**

DR Models without Diode  
DR/D Models with Diode  
DR/Z Models with Zener Diode

**Mating Connector:**  
Deutsch No. DT06-2S  
HF Part No. 4001417

[Coil 10\\_DR STP Files](#)

| Voltage  | Part Number Suffix |         |         |         |         |
|----------|--------------------|---------|---------|---------|---------|
|          | G                  | W       | DR      | DR/D    | DR/Z    |
| 10 VDC   |                    | 6359410 |         | 4301891 |         |
| 12 VDC   | 6356012            | 6359412 | 4301612 | 4301892 | 4301862 |
| 20 VDC   |                    |         |         | 4301893 |         |
| 24 VDC   | 6356024            | 6359424 | 4301624 | 4301894 | 4301864 |
| 36 VDC   | 6356036            | 6359436 |         |         |         |
| *24 VAC  | 6366024            |         |         |         |         |
| *115 VAC | 6366115            |         |         |         |         |
| *230 VAC | 6366230            |         |         |         |         |

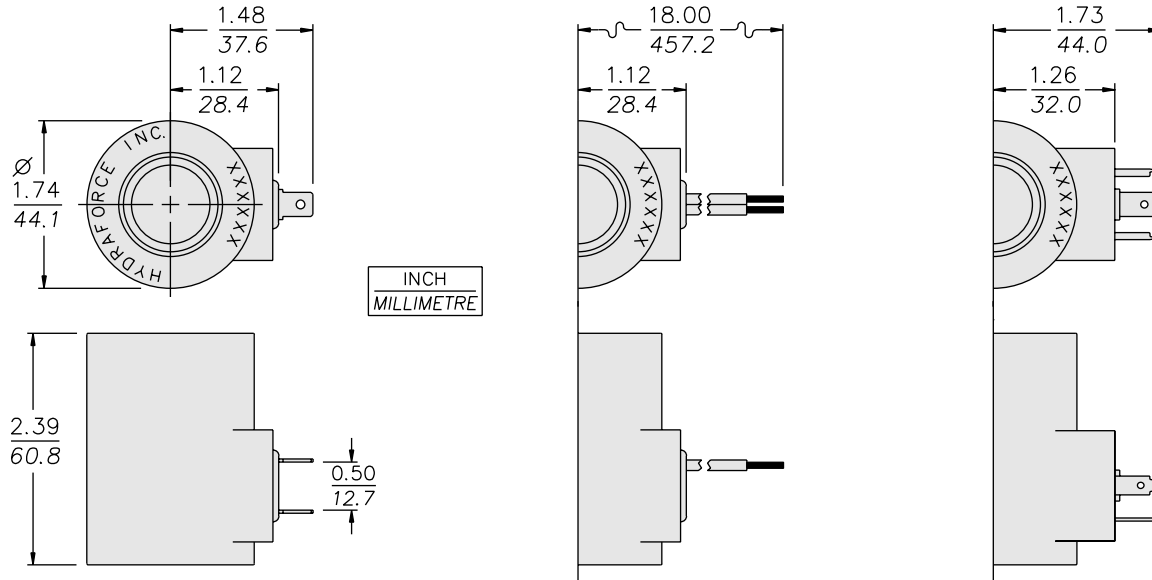
\*Rectified

Coil Weight: 270 g. (9.6 oz.)

# COILS AND ELECTRONIC CONTROLS

## Proportional Valve Coils

### SIZE 70 COIL INFORMATION



**S**

**Dual Spades  
SAE J858a**

[Coil 70\\_DS STP Files](#)

**L**

**Dual Leads  
18 Gauge**

[Coil 70\\_DL STP Files](#)

**G**

**DIN 43650  
Connector**

Pins 1 and 2 are not  
polarity-sensitive.  
Ground pin is not used.

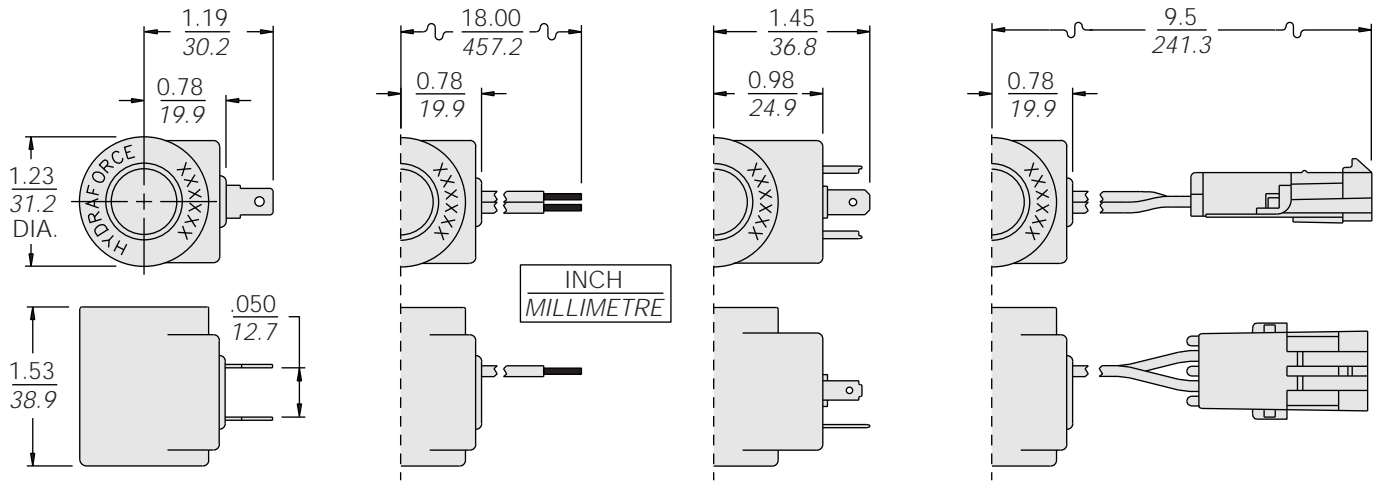
[Coil 70\\_DG STP Files](#)

| Voltage | Part Number Suffix |         |         |
|---------|--------------------|---------|---------|
|         | S                  | L       | G       |
| 12 VDC  | 6507112            | 6507212 | 6507612 |
| 24 VDC  | 6507124            | 6507224 | 6507624 |

Coil Weight: 320 g. (11.2 oz.)

# Proportional Valve Coils

## SERIES EHPR08 COIL INFORMATION



**S**  
Dual Spades  
SAE J858a

Coil EHPR\_DS  
STP Files

**L**  
Dual Leads  
18 Gauge  
Optional 36-inch leads  
available. Consult factory.

Coil EHPR\_DL  
STP Files

**G**  
DIN 43650  
Connector  
Pins 1 and 2 are not  
polarity-sensitive.  
Ground pin is not used.

Coil EHPR\_DG  
STP Files

**W**  
Dual 18 Gauge Leads with  
Weather Pack® Connector  
For use with Packard  
part no. 12015792 female plug

Coil EHPR\_DLW  
STP Files

| Voltage | Part Number Suffix |         |         |         |
|---------|--------------------|---------|---------|---------|
|         | S                  | L       | G       | W       |
| 12 VDC  | 6451112            | 6451212 | 6451612 | 6451512 |
| 24 VDC  | 6451124            | 6451224 | 6451624 | 6451524 |

Coil Weight: 110 g. (4.0 oz.)