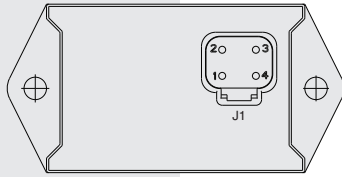


EACD-1 AC Frequency Detector**Model EACD-1****DESCRIPTION**

The **EACD-1** is an optically isolated AC frequency detector intended for use as a feedback with HydraForce electronic controllers used in hydraulic motor-driven AC power generator applications. The output of the EACD-1 provides a frequency pulse signal based on the generator speed to directly drive the frequency input pin of the controller operating in closed loop mode.

OPERATION

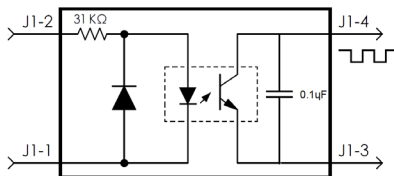
The AC output voltage from the power generator provides the input signal and is connected to pins 1 and 2. Pin 3 connects to the electronic controller signal ground. Pin 4 connects to the electronic controller signal input. The input type of the electronic controller is set to frequency pull-up. A portion of each positive half of the AC input will cause the output pins 3 and 4 to conduct and produce a logic low pulse.

Note: You may connect pin 4 to positive voltage and take the output signal at pin 3 to provide a logic high pulse each cycle. If using this mode, take extra care not to exceed the voltage and current limits of the device.

Note: We recommend use of a fuse on the AC inputs.

FEATURES

- Optical isolation provides protection of DC electronics from the AC power source.
- Tested for severe environmental conditions - temperature, vibration, and voltage transients
- Low cost way to monitor AC power frequency

SYMBOL**SPECIFICATIONS**

Input Voltage Range: 90 to 250 ac RMS

Input Frequency Range: 0 to 130 Hz

Input Resistor: 16k

Output Voltage: 40 dc maximum

Output Current: 2.5 mA maximum

Electrical Isolation: 1500 V_{rms} minimum

Operating Temperature: -40 C to 85° C (-40 to 185°F)

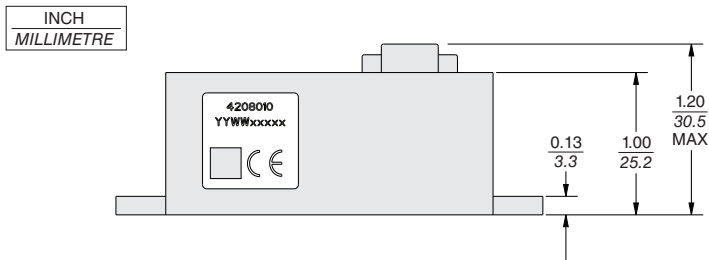
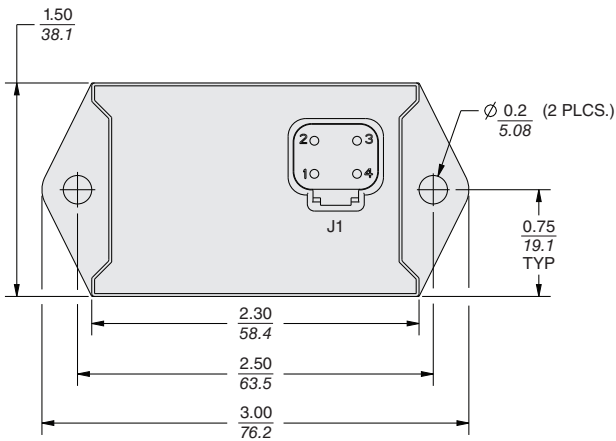
Ingress Protection Rating: IP67

Electrical Connector: Deutsch DT04-4P (mates with DT06-4S)

EACD-1 AC Frequency Detector

Model EACD-1

DIMENSIONS



PIN CONNECTIONS

Connector J1 Pin	Description
Pin 1	AC Input
Pin 2	AC Input
Pin 3	Output Signal -
Pin 4	Output Signal +

TO ORDER

EACD-1 - Part No. 4208010

Mating Connector - Part No. 4001953

Compatible Electronic Controller: EGDR-0101A (Part No. 4204850)