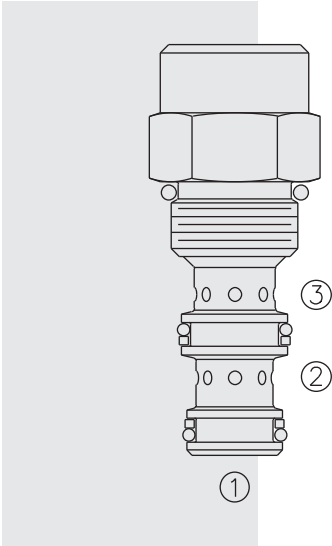


EC08-32 Pressure-Compensator w/Load Sense



DESCRIPTION

A screw-in, cartridge-style, load sense, flow-on-demand pressure-compensator.

OPERATION

With inlet flow at 2, the **EC08-32** will deliver required flow at 3 in response to load differential pressure sensed at 1.

FEATURES

- Range of flow ratings available.
- Hardened parts for long life.
- Several compensation springs available.
- Quiet, modulated response.
- Industry common cavity.

RATINGS

Operating Pressure: 241 bar (3500 psi)

Proof Pressure: 345 bar (5000 psi)

Burst Pressure: 1034 bar (15000 psi)

Flow Rate: Ranges from 5.7 lpm (1.5 gpm) to 30.3 lpm (8.0 gpm).

Maximum Internal Leakage: 20 ml/min. (1.2 cu.in./min.) at Port 1 with 241 bar (3500 psi) pressure at port 2 and port 3 blocked.

Temperature: -40 to 100°C (-40 to 212°F) with Buna N seals;
-35 to 204°C (-31 to 400°F) with fluorocarbon seals.

Filtration: See page 9.010.1

Fluids: Mineral-based or synthetics with lubricating properties at viscosities of 7.4 to 420 cSt (50 to 2000 sus); See Temperature and Oil Viscosity, page 9.060.1

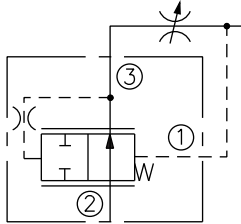
Installation: No restrictions; See page 9.020.1

Cavity: VC08-3; See page 9.108.1

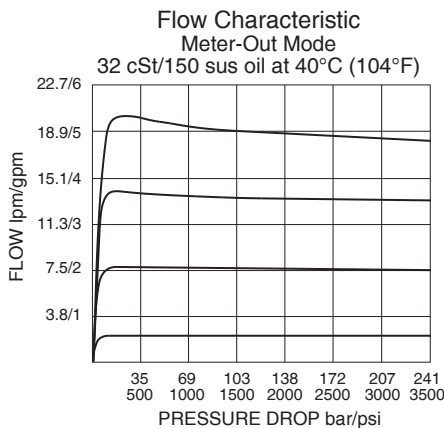
Cavity Tool: CT08-3XX; See page 8.600.1

Seal Kit: SK08-3X-MM; See page 8.650.1

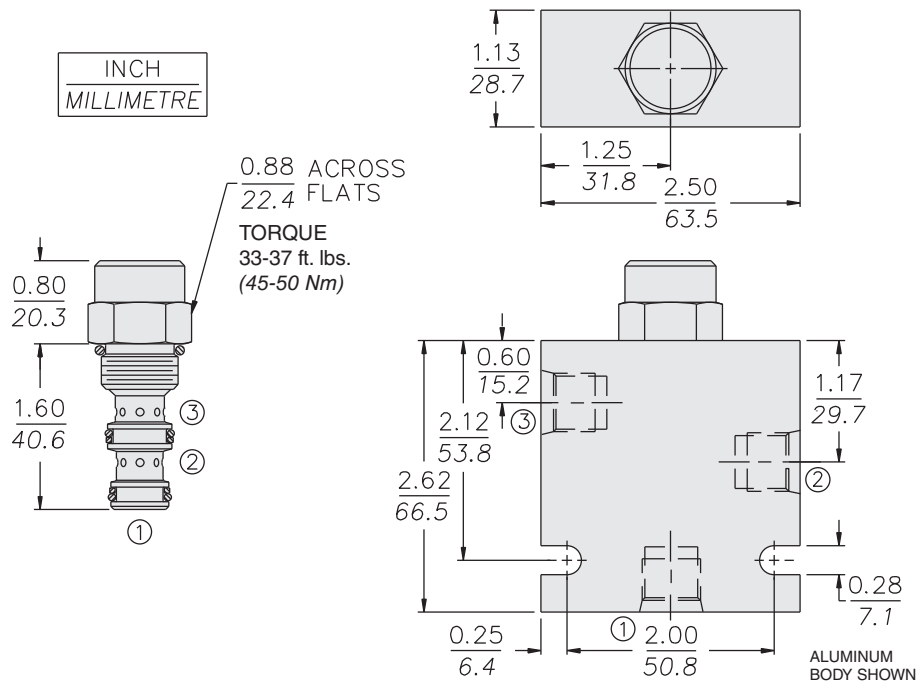
ISO SYMBOL



PERFORMANCE (Cartridge Only)



DIMENSIONS



MATERIALS

Cartridge: Weight: 0.10 kg (0.22 lb)
 Steel with hardened work surfaces.
 Zinc-plated exposed surfaces.
 Buna N O-rings and back-ups standard.

Standard Ported Body: Weight:
 0.27 kg (0.60 lb) Anodized high-strength aluminum alloy, rated to 207 bar (3000 psi). Ductile iron bodies available; dimensions may differ. See page 8.008.1.

TO ORDER

EC08-32 -		-	-
	Porting		Compensator Spring
Cartridge Only	0	40	2.8 bar (40 psid)
SAE 6	6T	80	5.5 bar (80 psid)
1/4 in. BSP*	2B	150	10.3 bar (150 psid)
3/8 in. BSP*	3B	250	17.2 bar (250 psid)
	*BSP Body; U.K. Mfr. Only		
		Seals	
		N	Buna N (Std.)
		V	Fluorocarbon