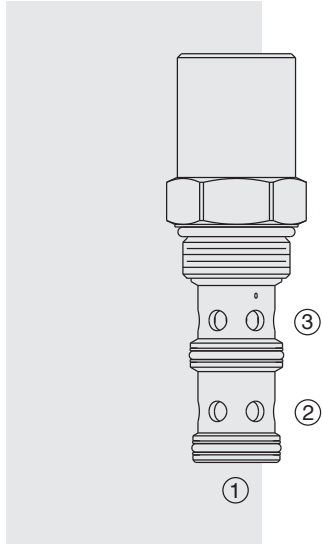


# HEC16-32 HyPerformance™ On-Demand Pressure



## DESCRIPTION

A screw-in, cartridge-style, load sense, flow-on-demand pressure-compensator for use in high pressure applications.

## OPERATION

With inlet flow at 2, the **HEC16-32** will deliver required flow at 3, regardless of load pressure sensed at 1. For greater stability, it is recommended to install a 0.53 mm (0.21 in) orifice in the load sense line at port 1.

## FEATURES

- Hardened parts for long life.
- Quiet, modulated response.
- Industry common cavity.
- 80 and 160 compensating springs.
- All HyPerformance products are tested to the rigorous standards of NFPA specification T2.6.1.
- All HyPerformance products are tested at a verification level of 90% and an assurance of 99%.

## RATINGS

**Operating Pressure:** 350 bar (5075 psi); 10% cycle life: 420 bar (6090 psi)

Note: All HyPerformance products are tested for 900K cycles at 350 bar and 100K at 420 bar

**Proof Pressure:** 690 bar (10000 psi)

**Burst Pressure:** 1380 bar (20000 psi)

**Flow Rating:** 113.6 lpm (30.0 gpm) with 5.5 bar (80 psi) compensating spring; 151.4 lpm (40 gpm) with 11 bar (160 psi) compensating spring.

**Maximum Internal Leakage:** 95 ml/min (5.8 cu. in./min) at Port 1 with 350 bar (5075 psi) pressure at Port 2 and Port 3 blocked.

**Temperature:** -54 to 107°C (-65 to 225°F) with PPD1 Urethane seals

**Filtration:** See page 9.010.1

**Fluids:** Mineral-based or synthetics with lubricating properties at viscosities of 7.4 to 420 cSt (50 to 2000 sus); See Temperature and Oil Viscosity, page 9.060.1

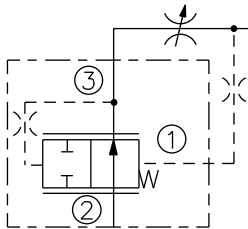
**Installation:** For increased stability, it is recommended to install a 0.53 mm (0.21 in) orifice in the load sense line at Port 1. For general installation recommendations, see page 9.020.1

**Cavity:** HVC16-3; See page 9.116.1

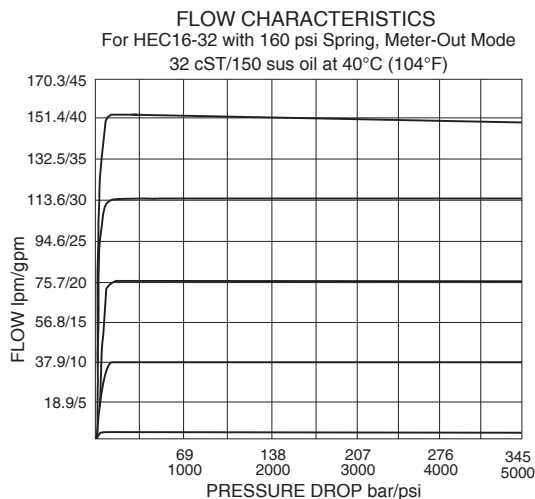
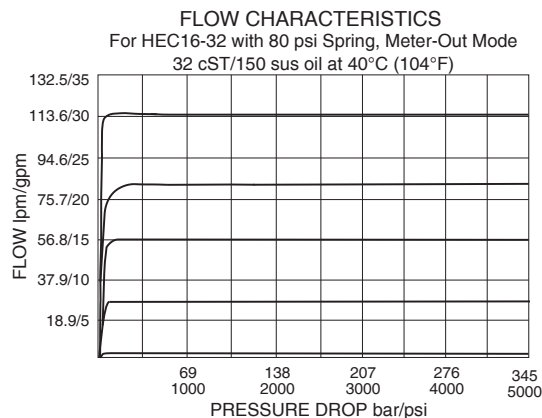
**Cavity Tool:** CT16-3XX; See page 8.600.1

**Seal Kit:** HSK16-3U-00; See page 8.650.1

## ISO SYMBOL



## PERFORMANCE (Cartridge Only)

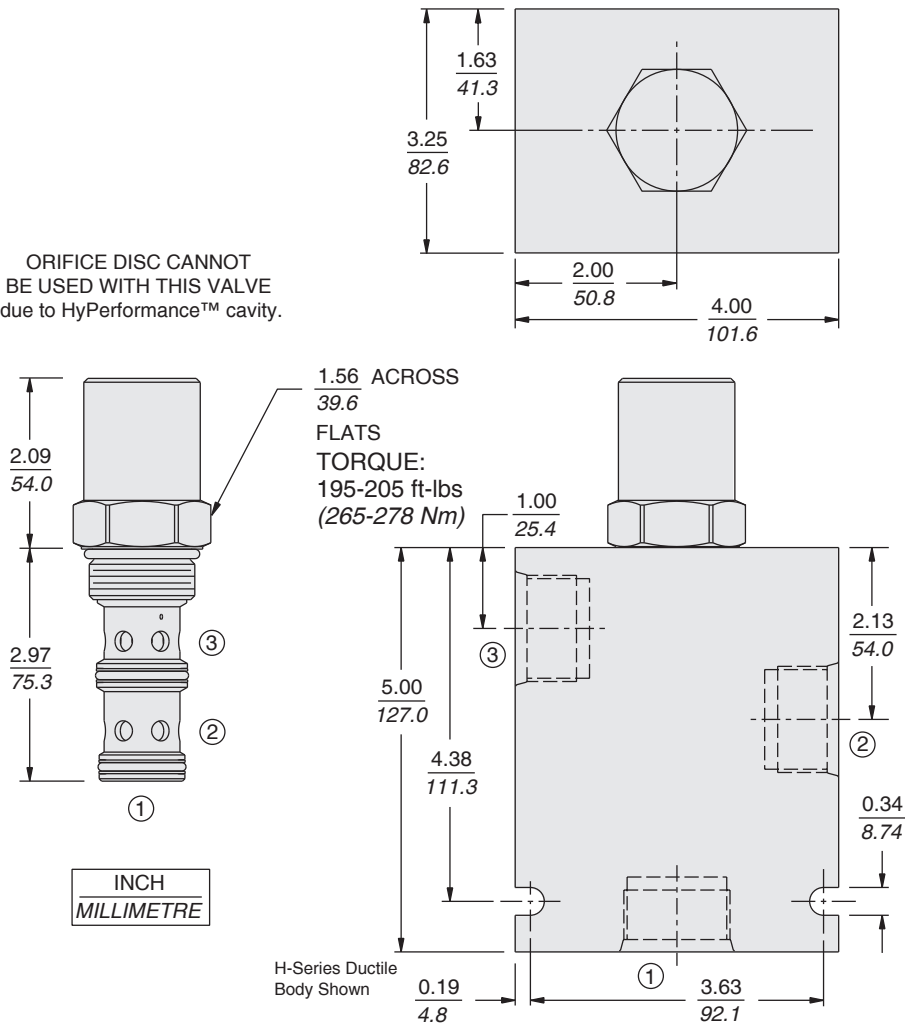


# Compensator with Load Sense

# HEC16-32

## DIMENSIONS

ORIFICE DISC CANNOT BE USED WITH THIS VALVE due to HyPerformance™ cavity.



## MATERIALS

**Cartridge:** Weight: 0.68 kg. (1.51 lbs.)  
Steel with hardened work surfaces.  
Zinc-plated exposed surfaces.  
Urethane seals without back-up rings standard.

**Standard Ported Body:**

Weight: 6.62 kg (14.6 lbs) H-series ductile iron standard. Rated to 345 bar (5000 psi). See page 8.016.1.

## TO ORDER

HEC16-32 - - -

**Porting**

Cartridge Only **0**  
SAE 16 **16HT**  
1" BSP **8HB**

\* BSP body; U.K. Mfg. Only

**Compensator Spring**

**80** 5.5 bar (80 psid)  
**160** 11.0 bar (160 psid)

**Seals**

**U** PPDI Urethane

**NOTE:** Urethane seals recommended for operating pressures above 241 bar (3500 psi).

**NOTE:** Consult factory for additional seal options.