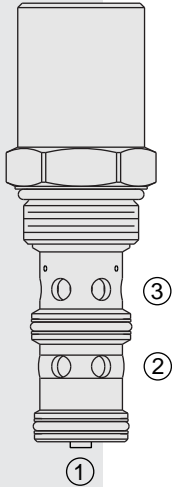


# EC16-34 Pressure Compensator, Load Holding

U.S. Patent  
7,261,030



**DESCRIPTION**

A screw-in, cartridge-style, load sense, pressure-compensator hydraulic valve with built-in damping and load-holding features for use in gravity-lowering circuits.

**OPERATION**

The **EC16-34** is designed to be used in combination with a flow control valve for lowering and holding a load. With inlet flow at port ②, port ③ will deliver required flow regardless of load pressure at ②. Port ① of the compensator must be connected to the outlet of a flow control valve that is connected to the tank.

**FEATURES**

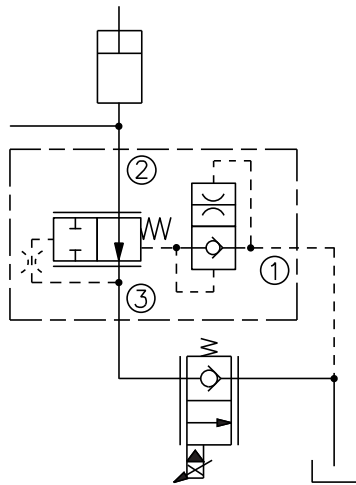
- Hardened spool and cage for long life.
- Hardened seat for low-leakage load-holding capability.
- Quiet, modulated response.
- Industry common cavity.

**RATINGS**

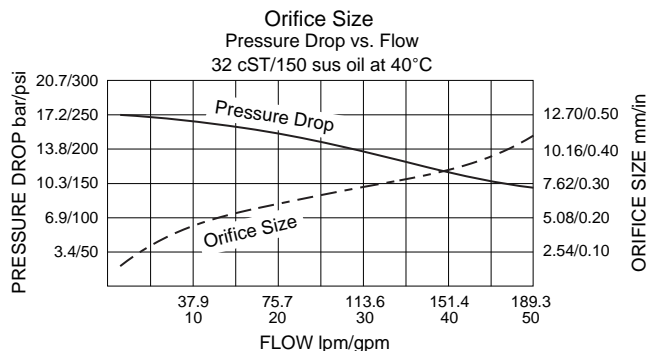
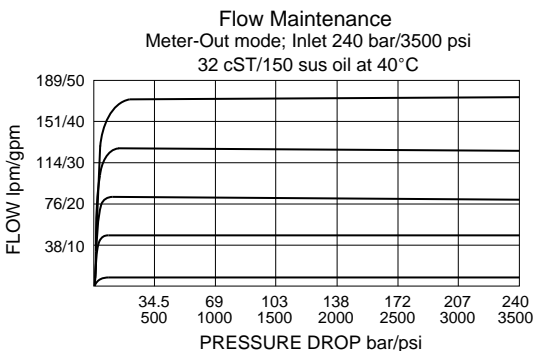
- Operating Pressure:** Inlet: 241 bar (3500 psi) with standard Buna N seals.
- Maximum Regulated Flow:** 170 lpm (45 gpm) See performance chart.
- Compensation Value:** 13.8 bar (200 psi).
- Maximum Leakage** at port ①: 5 drops/minute with 207 bar (3000 psi) at ②.
- Temperature:** -40 to 120°C with Buna N seals.
- Filtration:** See page 9.010.1
- Fluids:** Mineral-based or synthetics with lubricating properties at viscosities of 7.4 to 420 cSt (50 to 2000 sus); See Temperature and Oil Viscosity, page 9.060.1
- Installation:** No restrictions; See page 9.020.1
- Cavity:** VC16-3; See page 9.116.1
- Cavity Tool:** CT16-3XX; See page 8.600.1
- Seal Kit:** SK16-3X-MM; See page 8.650.1

**SYMBOL**

**USASI/ISO:**

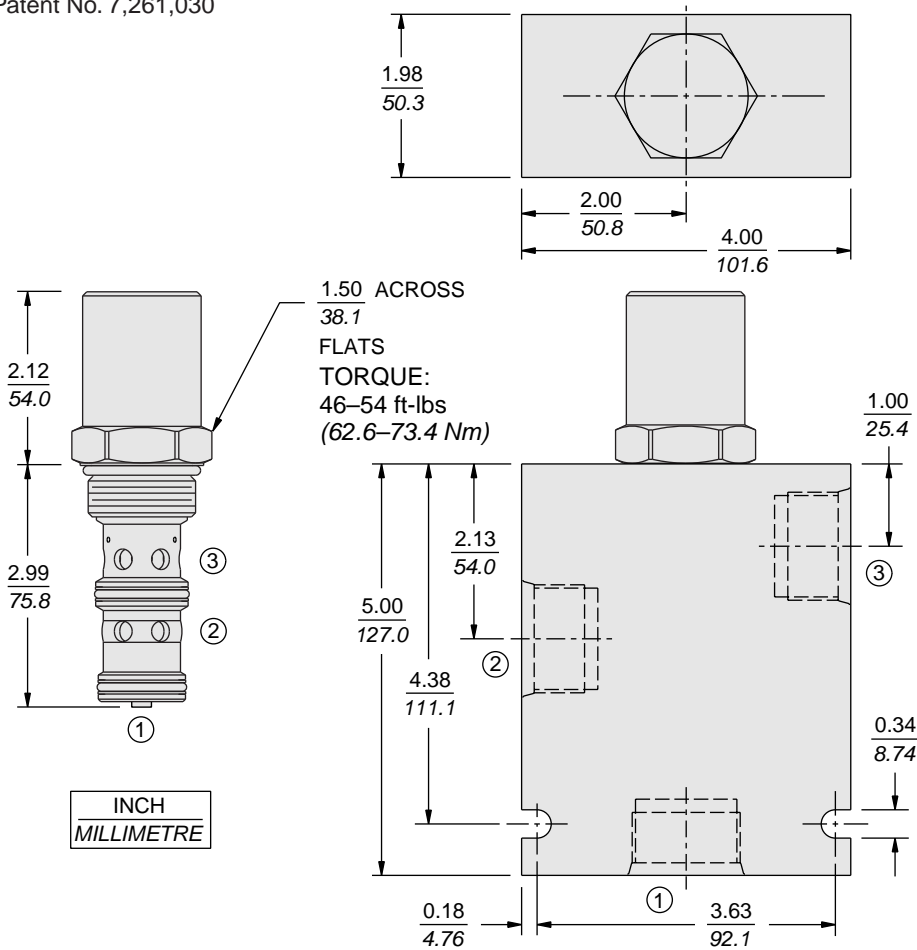


**PERFORMANCE (Cartridge Only)**



**DIMENSIONS**

U.S. Patent No. 7,261,030



**MATERIALS**

**Cartridge:** Weight: 0.52 kg. (1.15 lbs.)  
Steel with hardened work surfaces.  
Zinc-plated exposed surfaces.  
Buna N O-rings and polyester elastomer back-ups standard.

**Standard Ported Body:** Weight: 1.50 kg. (3.3 lbs.)  
Anodized high-strength 6061 T6 aluminum alloy, rated to 207 bar (3000 psi). Ductile iron bodies available, dimensions may differ. See page 8.016.1

**TO ORDER**

