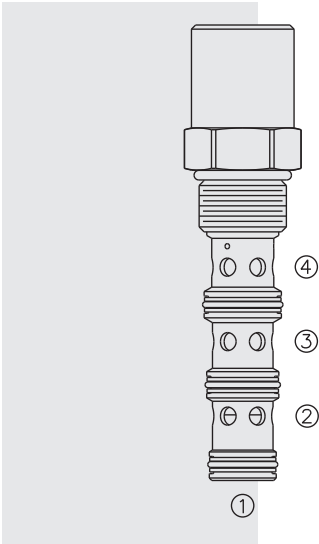


EC12-43 Pressure Compensator, Priority-on-Demand



DESCRIPTION

A screw-in, cartridge-style, priority-on-demand, pressure compensator with dynamic load sense intended to provide priority flow in the required amount, while allowing excess flow to be used for auxiliary functions.

OPERATION

With inlet flow at port 3, the **EC12-43** will deliver required priority flow at port 4, based on the size of the external orifice, regardless of load pressure. Excess flow exits, or is bypassed, at port 2. Port 1 is the load sense port. All ports may be fully pressurized.

FEATURES

- Priority-on-demand.
- Dynamic load sense.
- Hardened parts for long life.
- Quiet, modulated response.
- Industry common cavity.

RATINGS

Operating Pressure: Inlet: 345 bar (5000 psi);

Note: Ductile iron body and polyurethane seals required when used above 241 bar (3500 psi).

Maximum Input Flow Rate: 95 lpm (25 gpm) with 160 psi compensating spring; 68 lpm (18 gpm) with 80 psi compensating spring

Priority Flow Rate: Up to 80% of input flow

Temperature: -40 to 100°C (-40 to 212°F) with Buna N seals;

-26 to 204°C (-15 to 400°F) with fluorocarbon seals;

-54 to 107°C (-56 to 225°F) with polyurethane seals.

Filtration: See page 9.010.1

Fluids: Mineral-based or synthetics with lubricating properties at viscosities of 7.4 to 420 cSt (50 to 2000 sus); See Temperature and Oil Viscosity, page 9.060.1

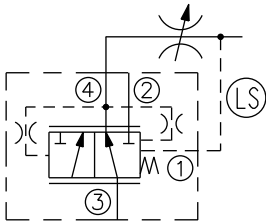
Installation: No restrictions; See page 9.020.1

Cavity: VC12-4; See page 9.112.1

Cavity Tool: CT12-4-XXX; See page 8.600.1

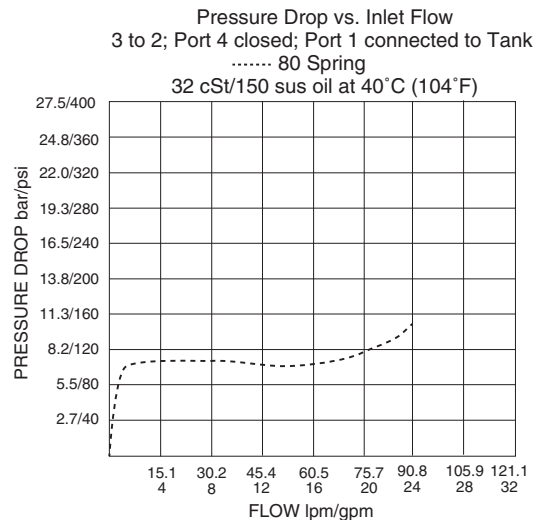
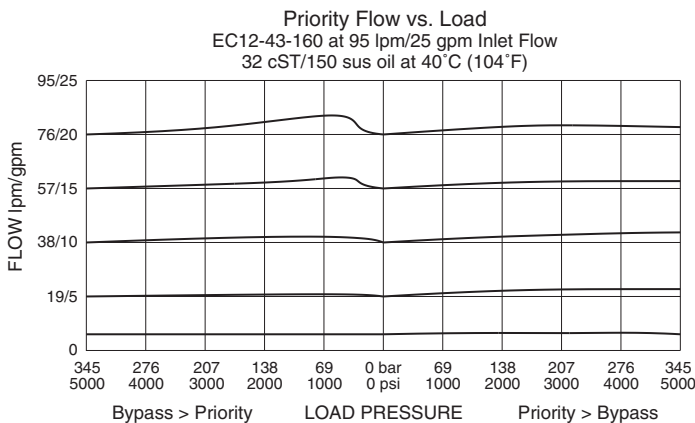
Seal Kit: SK12-4X-MMM; See page 8.650.1

ISO SYMBOL



Note: This valve, the EC12-43, replaces the older EC12-41 functionally, although the two valves have different port logic. We will continue to provide the EC12-41 for existing customers, but recommend conversion to the new EC12-43 for new designs. For more information consult factory.

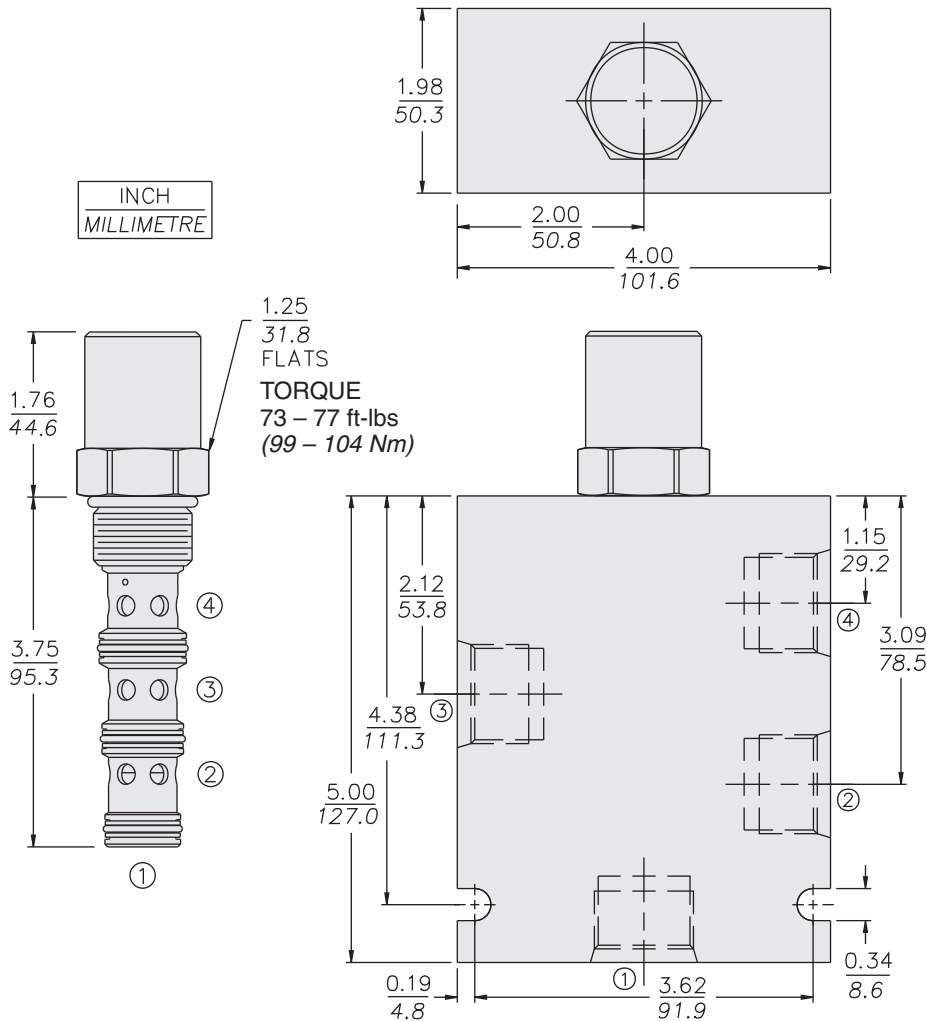
PERFORMANCE (Cartridge Only)



with Dynamic Load Sense

EC12-43

DIMENSIONS

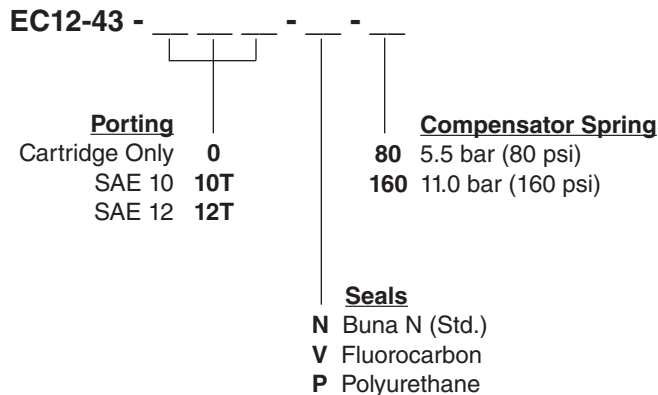


MATERIALS

Cartridge: Weight: 0.46 kg. (1.02 lbs.)
Steel with hardened work surfaces.
Zinc-plated exposed surfaces.
Buna N O-rings and polyester elastomer back-ups standard. For operating pressures above 241 bar (3500 psi), use polyurethane seals.

Standard Ported Body: Weight: 1.50 kg. (3.30 lbs.) Anodized high-strength aluminum alloy, rated to 207 bar (3000 psi). For operating pressures above 241 bar (3500 psi), use ductile iron body; dimensions may differ. See page 8.012.1

TO ORDER



Note: Polyurethane seals required for operation over 241 bar (3500 psi).